

HHS-5

Hard Start



Improve compressor efficiency with easy-to-install Hard Start kits from Hartland Controls. Hard Starts allow A/C units and heat pump compressors to start-up at maximum efficiency, so the unit can reach normal rated speed up to ten times faster.

Features

- Use on 1/2 to 10 HP Single Phase HVAC Compressor or Refrigeration Unit
- Positive Temperature Coefficient (PTC) Relay and Capacitor
- Easy 2-wire installation
- Increase in torque 300%
- Instant re-start
- UL® Recognized
- NATE® Recognized

We can custom engineer a solution to meet any need. Just ask.

815.626.5170 | HartlandControls.com

Specifications

AC Voltage

90-277

Temperature

-40 to +65 Celsius

Capacitance

43-52 µF

Frequency

50/60 Hz

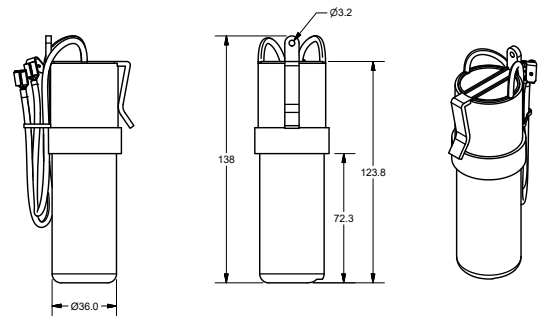
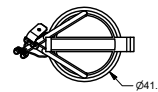
Applications

Hard starting compressor
Low voltage situation

Replacement Parts

Replacement Part Number	Manufacturer
DST-5	Diversitech®
SPP5	Supco®
32702 or 35701	MARS®
TQ55 or HS5	Packard®
600-057	Robertshaw®
HS600	Gemline®

Dimensions in millimeters



Model: HHS-5		
Lead Wire Color	Lead Wire Length	Lead Wire End Condition
Black	220mm +/- 8mm	Single (Female) 1/4" QC
Black	240mm +/- 8mm	Dual (Male/Female) 1/4" QC