

PART NO.	A22003-001	REV	ECO	DATE	APP
		F	99229	01-29-13	TLM

MATERIAL & SPECIFICATIONS

INSULATOR: LIQUID CRYSTAL POLYMER (LCP) PER ASTM D5138.

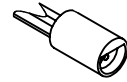
CONTACT: COPPER ALLOY PER MIL-DTL-83513. GOLD PLATED PER ASTM B488, (HARD GOLD) TYPE II CODE C CLASS 1.27.

TERMINATION: 26 AWG (7-34) TYPE E PER NEMA HP3, COLOR CODED PER TABLE.

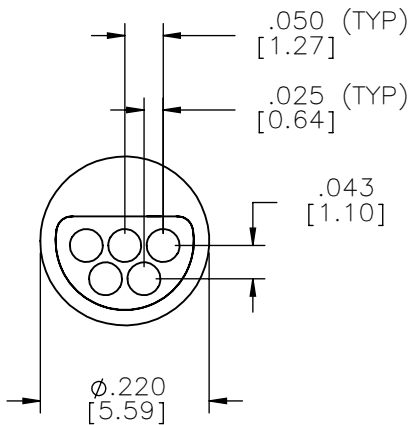
CURRENT CAPACITY 3 AMP MAX.

CONTACT RESISTANCE 26 MILLIOHMS (65 mv) MAX @ 2.5 AMPS

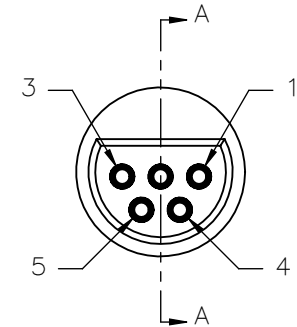
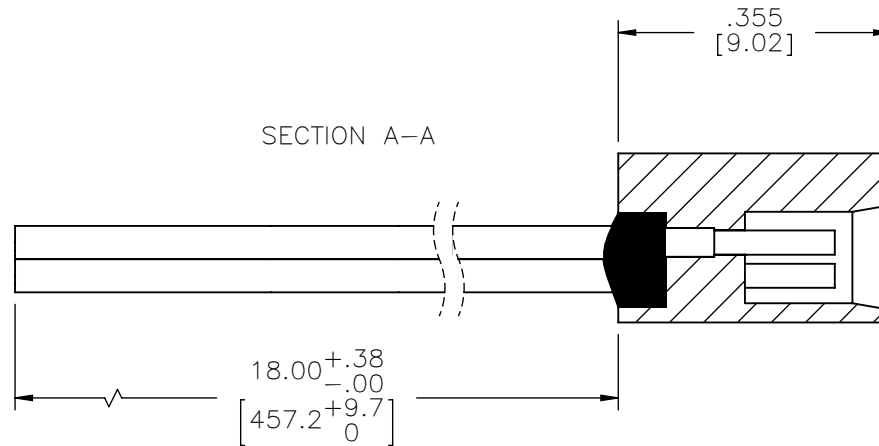
PERFORMANCE : PRODUCT FAMILY TESTED TO AND PASSED THE PERFORMANCE SPECIFICATIONS OF TABLE VII OF MIL-DTL-83513



ACTUAL SIZE
EXCLUDING WIRE LENGTH



LOADING VIEW
LESS EPOXY



SOCKET #	COLOR
1	BLACK
2	BROWN
3	RED
4	ORANGE
5	YELLOW

INTERNAL USE ONLY

USE MFG LOADING
PROCEDURE MC-5S

RoHS

REF: OMNETICS

NOTE:

DIMENSIONS IN [] ARE IN MILLIMETERS UNLESS OTHERWISE NOTED AND ARE FOR REFERENCE ONLY

MCTS SLOW	THIRD ANGLE
	-TOLERANCES-
	UNLESS OTHERWISE NOTED
	DIMENSIONS IN INCHES
	2 PL DEC ± .01
3 PL DEC ± .005	
4 PL DEC ± .0005	
ANGLES ± 1°	

THIS DRAWING CONTAINS CONFIDENTIAL AND PROPRIETARY INFORMATION WHICH IS THE PROPERTY OF OMNETICS CONNECTOR CORP. THIS DOCUMENT MAY NOT, IN WHOLE OR IN PART, BE DUPLICATED, OR DISCLOSED FOR ANY PURPOSE, WITHOUT WRITTEN PERMISSION FROM OMNETICS CONNECTOR CORP.

DFTM. PER	DATE
CHK'D.	DATE
APP'D.	DATE

TITLE:
(5) SOCKET FEMALE
CIRCULAR
CONNECTOR

OMNETICS
CONNECTOR CORPORATION
7260 COMMERCE CIRCLE EAST
MINNEAPOLIS, MN 55432
WWW.OMNETICS.COM

CAGE CODE	61873
DWG NO.	A22003-001
SHEET 1 OF 1	REV F
SCALE: 4:1	