

4

3

2

1

THIS DRAWING IS UNPUBLISHED.

RELEASED FOR PUBLICATION

20

LOC

DIST

REVISIONS

© COPYRIGHT 20

ALL RIGHTS RESERVED.

IR

2

P

LTR

DESCRIPTION

DATE

DWN

APVD

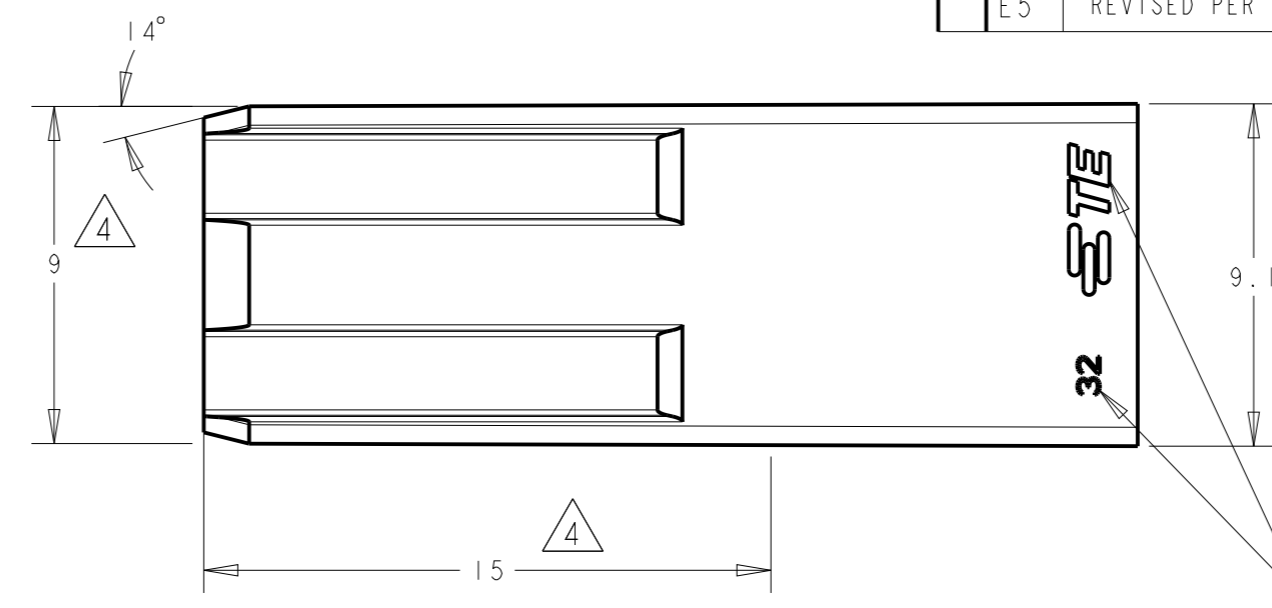
E5

REVISED PER ECR-21-100829

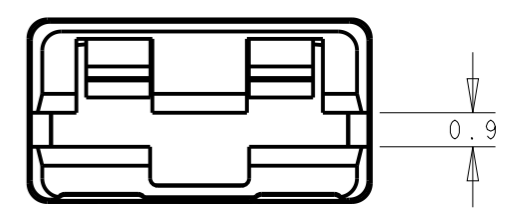
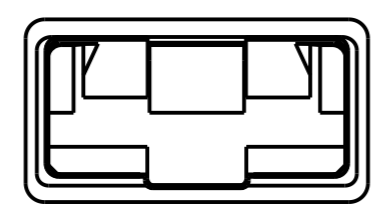
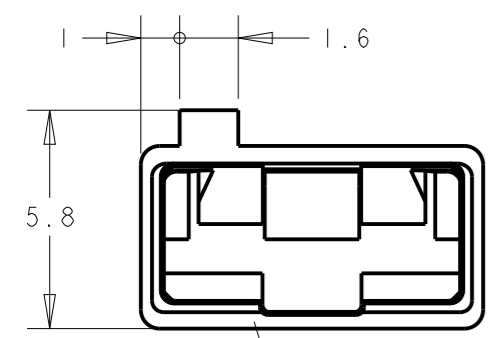
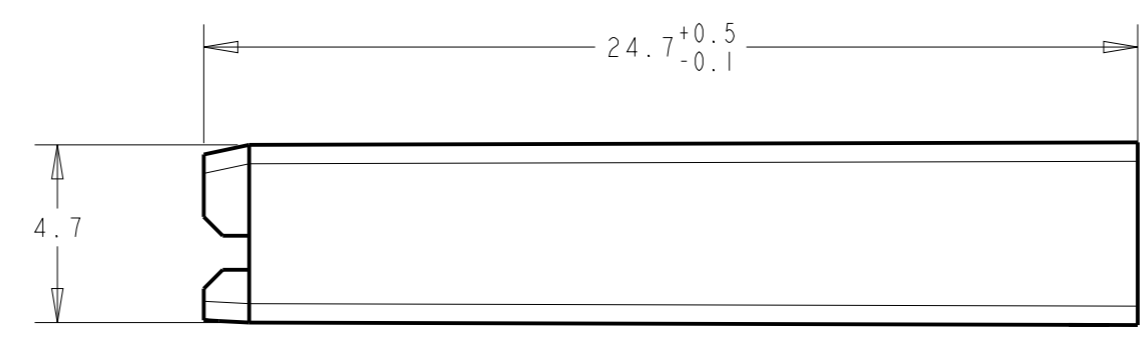
10MAR2021

MK

EW

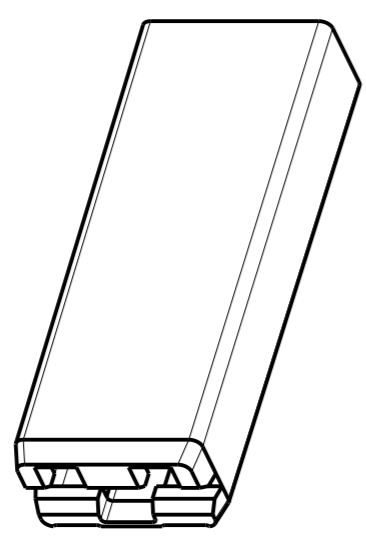
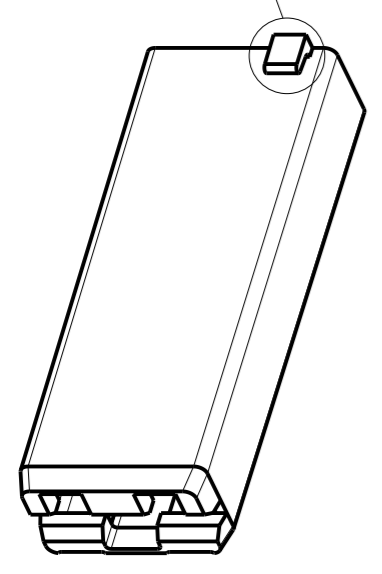


- 1 SUITABLE FOR TERMINAL 336074 336075, 336076 AND 1644008
- 2 TE LOGO, CAN BE PRESENT ON ONE OF THE INDICATED AREAS
- 3 CAVITY ID NUMBER, CAN BE PRESENT ON ONE OF THE INDICATED AREAS
- 4 9mm WIDTH ALONG 15mm.
- 5 P/N 2-1644125-6 IS A PRELIMINARY PART - NOT RELEASED FOR PRODUCTION



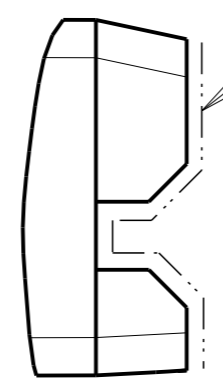
VERSION WITH POLARIZATION (SEE TABLE)

VERSION WITHOUT POLARIZATION (SEE TABLE)

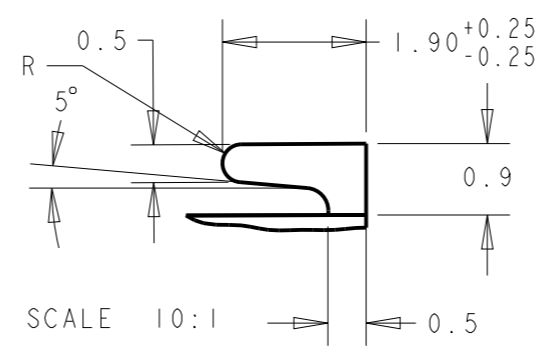


SCALE 3:1

SCALE 3:1



Small burrs are permitted in this area



SCALE 10:1

NO	COLOR	MATERIAL	PN
NO	BLACK	PA 6/6 V2	3-1644125-0
NO	NATURAL	PA 6/6 V2	2-1644125-9
NO	NATURAL	PA 66 V0 GWT 750°C WITHOUT FLAME	2-1644125-8
NO	BLUE	PA 6 V2 GWT 750°C WITHOUT FLAME	2-1644125-7
NO	NATURAL	PP V2 GWT 750°C WITHOUT FLAME	2-1644125-6
NO	NATURAL	PA 6 V2 GWT 750°C WITHOUT FLAME	2-1644125-5
YES	BLACK	PA6/6 V0 FOR HIGH TEMPERATURE	9-1644125-5
YES	DARK GREY	PA 6 V2 GWT 750°C WITHOUT FLAME	2-1644125-4
NO	BLACK	PA6/6 V0 FOR HIGH TEMPERATURE	9-1644125-4
NO	DARK GREY	PA 6 V2 GWT 750°C WITHOUT FLAME	2-1644125-3
	POLARIZATION	COLOR	MATERIAL
			PN

THIS DRAWING IS A CONTROLLED DOCUMENT.

DIMENSIONS:	TOLERANCES UNLESS OTHERWISE SPECIFIED:
mm	
0 PLC	±0.2
1 PLC	±0.2
2 PLC	±0.2
3 PLC	±0.2
4 PLC	±0.2
ANGLES	±°

MATERIAL SEE TABLE

DWN J. Saló 31-Aug-04

CHK L. Lázaro 1-Sep-04

APVD -

PRODUCT SPEC 108-22149, 108-20336 (2--6) 108-22072 (9--4, 9--5)

APPLICATION SPEC 114-22019

WEIGHT -

Customer Drawing



TE Connectivity

6,35 E-SPRING SLEEVE PROTECCION PARA 6,35 E-SPRING

SIZE	CAGE CODE	DRAWING NO	RESTRICTED TO
A3	00779	1644125	-

SCALE 3:1 SHEET 1 OF 1 REV E5