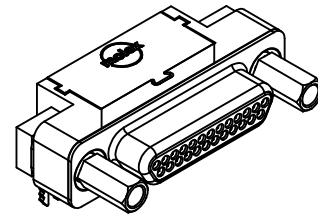
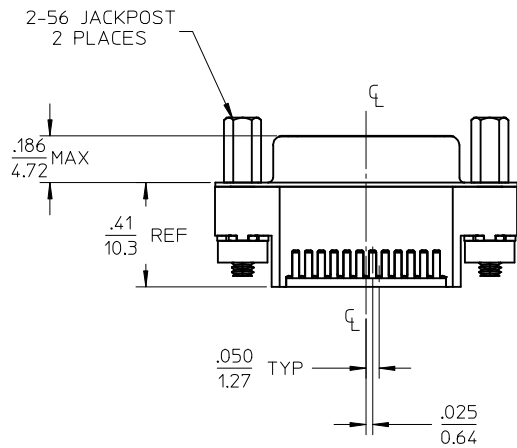
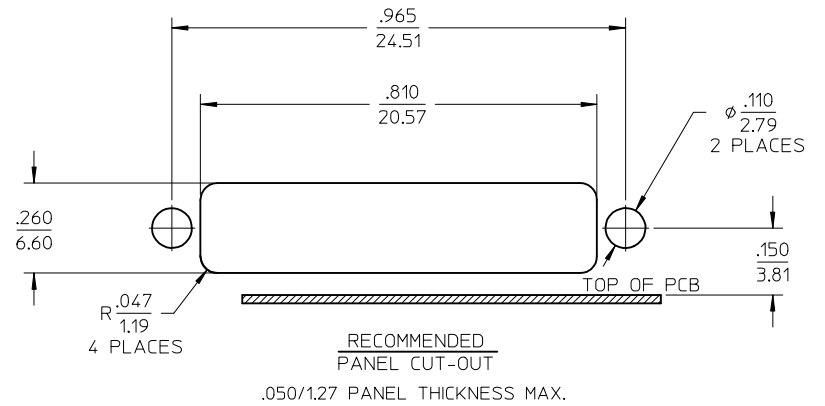
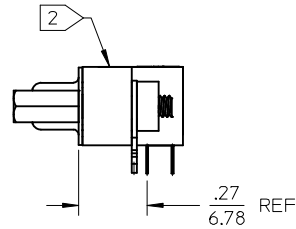
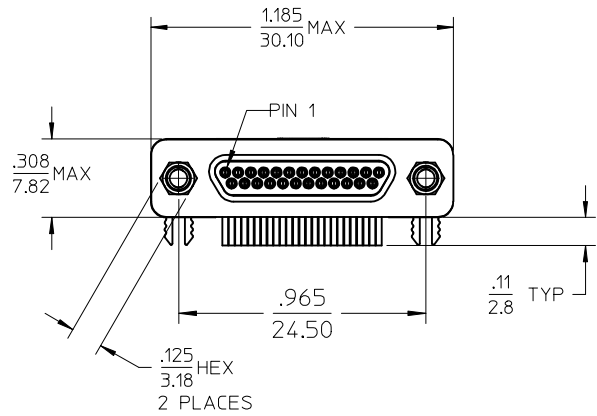
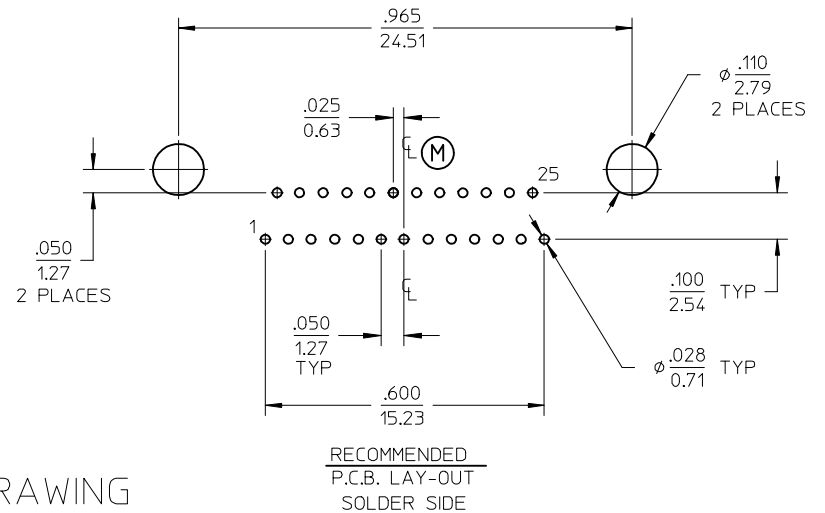


MATERIAL NO.	ENG. NO.
836149012	83614-9012



RECOMMENDED PANEL THICKNESS .055(1.4) REF

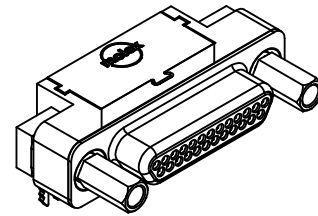
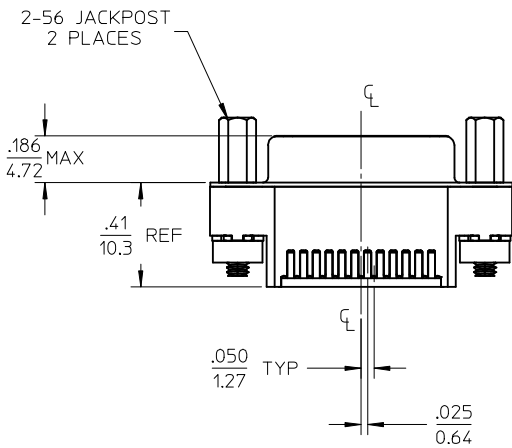
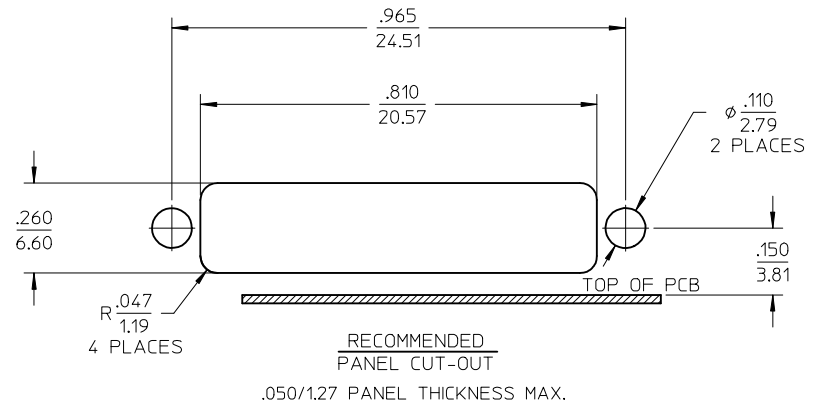
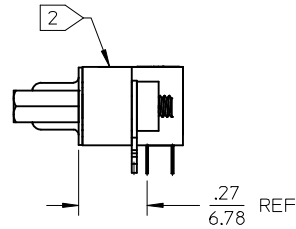
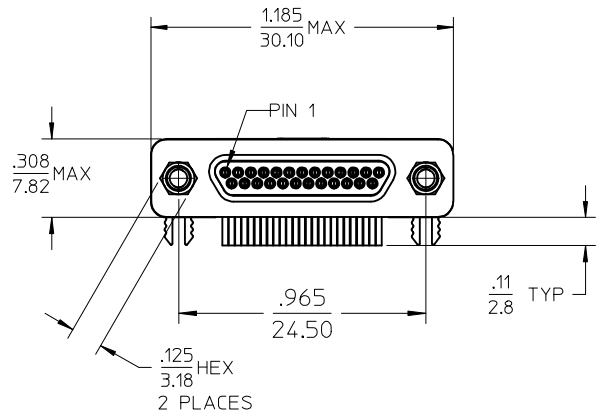


SALES DRAWING

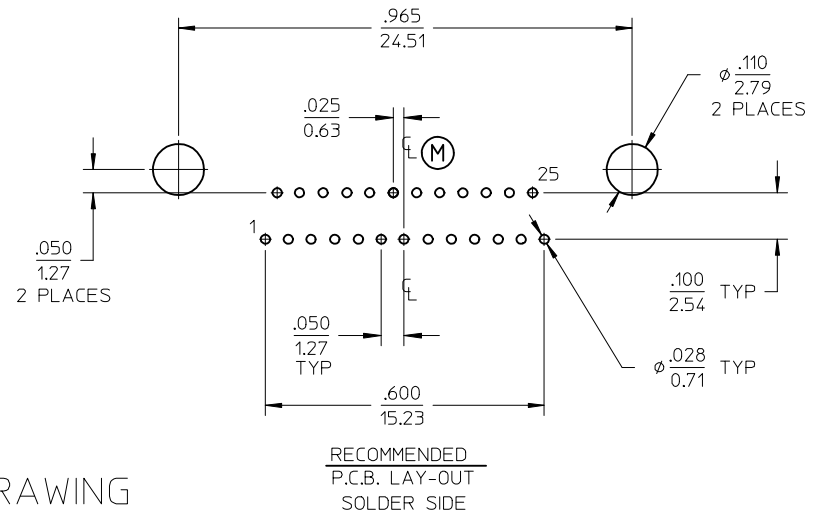
3. ROHS COMPLIANT
2. DATE CODE LOCATION
1. REFER TO PS-83421-9000 FOR PRODUCT SPECIFICATION.
NOTES: UNLESS OTHERWISE SPECIFIED.

UPDATE C.L. DIM EC NO: IPG2015-2074 DRWN:BRUPERT 2015/06/02 CHKD: APPR:WOODMAN 2015/06/09 M	DESCRIPTION QUALITY SYMBOLS ▽=0 ◻=0	GENERAL TOLERANCES (UNLESS SPECIFIED)		DIMENSION STYLE IN/MM		SCALE 2:1	DESIGN UNITS INCH	THIRD ANGLE PROJECTION		
		4 PLACES ± --- ± ---	mm INCH	DRAWN BY JLOMASTR	DATE 04/09/22	TITLE COMM-D,PLG,RT ANG SIZE 25,REM.JKPOST				
		3 PLACES ± --- ± .005		CHECKED BY RDEROSS	DATE 04/09/27	MOLEX INCORPORATED				
		2 PLACES ± 0.13 ± .01 1 PLACE ± 0.25 ± --- ANGULAR ± 1/2°		APPROVED BY RDEROSS	DATE 04/09/29	MATERIAL NO. SEE CHART	DOCUMENT NO. SD-83614-001	SHEET NO. 1 OF 1		
DRAFT WHERE APPLICABLE MUST REMAIN WITHIN DIMENSIONS		THIS DRAWING CONTAINS INFORMATION THAT IS PROPRIETARY TO MOLEX INCORPORATED AND SHOULD NOT BE USED WITHOUT WRITTEN PERMISSION								

10	9	8	7	6	5	4	3	2	1
MATERIAL NO.	ENG. NO.								
836149012	83614-9012								



RECOMMENDED PANEL THICKNESS .055(1.4) REF



SALES DRAWING

- 3. ROHS COMPLIANT
 - 2. DATE CODE LOCATION
 - 1. REFER TO PS-83421-9000 FOR PRODUCT SPECIFICATION.
- NOTES: UNLESS OTHERWISE SPECIFIED.

UPDATE C.L. DIM EC NO: IPG2015-2074 DRWN:BRUPERT 2015/06/02 CHKD: APPR:WOODMAN 2015/06/09 M	DESCRIPTION QUALITY SYMBOLS ▽=0 ◻=0	GENERAL TOLERANCES (UNLESS SPECIFIED)		DIMENSION STYLE IN/MM		SCALE 2:1	DESIGN UNITS INCH	THIRD ANGLE PROJECTION		
			mm	INCH	DRAWN BY	DATE	TITLE			
		4 PLACES	± ---	± ---	JLOMASTR	04/09/22	COMM-D,PLG,RT ANG SIZE 25,REM.JKPOST			
		3 PLACES	± ---	± .005	CHECKED BY	DATE				
	2 PLACES	± 0.13	± .01	RDEROSS	04/09/27	MOLEX INCORPORATED				
	1 PLACE	± 0.25	± ---	APPROVED BY	DATE					
		ANGULAR ± 1/2°		RDEROSS	04/09/29	MATERIAL NO. SEE CHART		DOCUMENT NO. SD-83614-001		
		DRAFT WHERE APPLICABLE MUST REMAIN WITHIN DIMENSIONS		SIZE A3		THIS DRAWING CONTAINS INFORMATION THAT IS PROPRIETARY TO MOLEX INCORPORATED AND SHOULD NOT BE USED WITHOUT WRITTEN PERMISSION				