

LOC	DIST	REVISIONS					
A	66	P	LTR	DESCRIPTION	DATE	DWN	APVD
			D1	ECR-11-010237	5-2011	MY	BAW


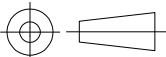
SEE INSTRUCTIONAL SHEET 408-9688

RELEASED FOR PUBLICATION

ALL RIGHTS RESERVED.

THIS DRAWING IS UNPUBLISHED.

© COPYRIGHT - By -

DIMENSIONS: INCHES	DWN	M.YOUNGER	16MAY2011	MATERIAL	-	FINISH	-		
	CHK	B.A.WOLFE	17MAY2011	 TE Connectivity					
TOLERANCES UNLESS OTHERWISE SPECIFIED:	APVD	B.A.WOLFE	17MAY2011						
0 PLC ± -	PRODUCT SPEC	NAME REPLACEMENT BLADE FOR 606700							
1 PLC ± -	APPLICATION SPEC								
2 PLC ± -	WEIGHT	-	SIZE	CAGE CODE	DRAWING NO	RESTRICTED TO	-		
3 PLC ± -			A4	00779	C-606701				
4 PLC ± -									
ANGLES ± -									
		CUSTOMER DRAWING		SCALE	1:1	SHEET	1 OF 1	REV	D1