

MATERIALS AND FINISHES

PACKAGING BY PLASTIC BAG.

BODY , FERRULE , WASHER , BUSHING BRASS
PLATED NICKEL

CENTER CONTACT BRASS
PLATED GOLD

INSULATOR , WASHER TEFLON

SPRING WASHER BERYLLIUM COPPER
PLATED NICKEL

RETAINING RING BRASS
PLATED NICKEL

GASKET SILICONE RUBBER

COUPLING NUT ZINC ALLOY
PLATED NICKEL

CABLE RG316

SHRINK TUBE VERSAFIT

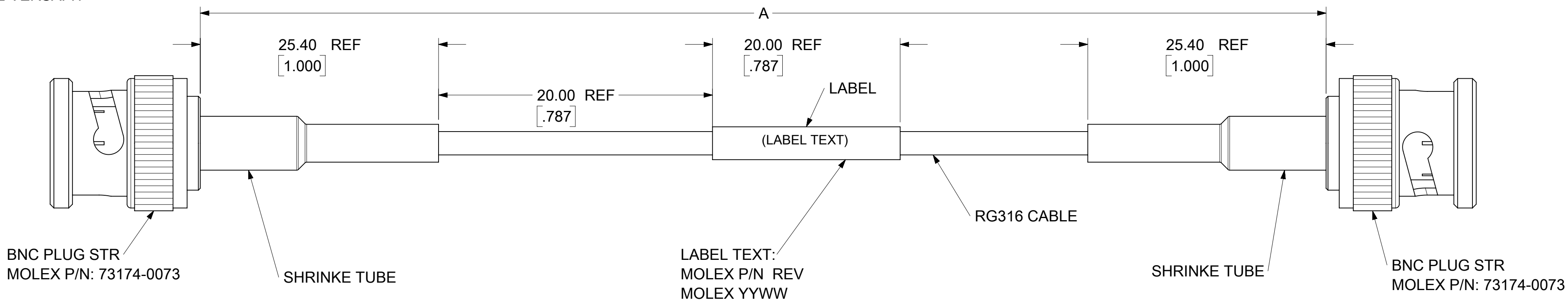
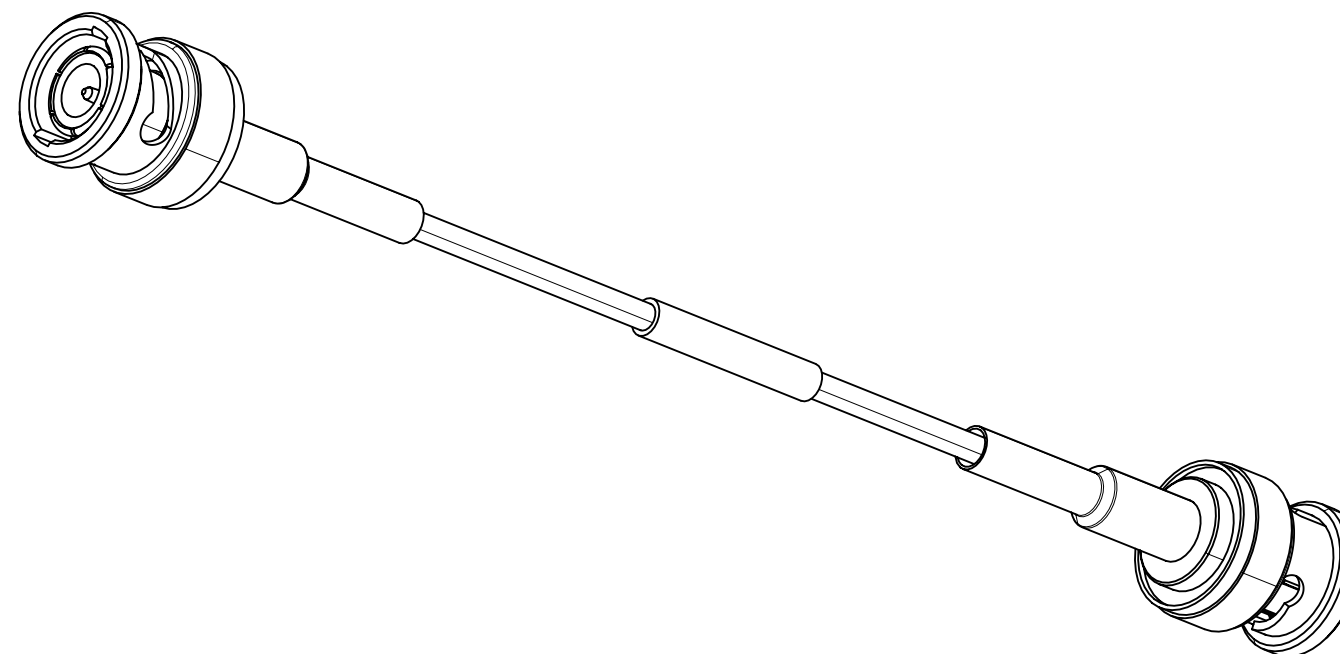


TABLE 2:

| | | |
|------------|---------------|---------------|
| 73230-5265 | 18.000±.236 | 457.20±6.00 |
| 73230-5264 | 12.000±.157 | 304.80±4.00 |
| 73230-5263 | 6.000±.079 | 152.40±2.00 |
| 73230-5262 | 118.110±1.380 | 3000.00±35.00 |
| 73230-5261 | 78.740±.980 | 2000.00±25.00 |
| 73230-5260 | 39.370±.590 | 1000.00±15.00 |
| PART NO. | IN | MM |
| | DIM A | |

TABLE 1:

| | |
|--------------------------|--------------------|
| PS-73598-0024 | ELECTRO/MECH SPEC. |
| MIL-STD-348A, FIG. 301.1 | INTERFACE |
| SPECIFICATION | DESCRIPTION |

| | | | | | | | |
|--|---|---------|----------------------------|---|--------------------------|------------------------|----------|
| FUNCTIONAL SYMBOLS $\nabla_A = 0$ $\nabla_C = 0$ $\nabla_E = 0$ NEW RELEASE ##### | THIS DRAWING CONTAINS INFORMATION THAT IS PROPRIETARY TO MOLEX ELECTRONIC TECHNOLOGIES, LLC AND SHOULD NOT BE USED WITHOUT WRITTEN PERMISSION | SCALE | 3:1 | CURRENT REV DESC: EC NO: 675763 DRWN: WANGR2 2021/08/26 CHK'D: MYLU07 2021/08/30 APPR: LCHEN03 2021/08/30 INITIAL REVISION: DRWN: WANGR2 2021/06/09 APPR: LCHEN03 2021/08/30 | | | |
| | DIMENSION UNITS | MM/INCH | | | | | |
| | GENERAL TOLERANCES (UNLESS SPECIFIED) | | | | PRODUCT CUSTOMER DRAWING | | |
| | ANGULAR TOL | ± 2.0° | | | | | |
| | 4 PLACES | ± | | | DOC TYPE | DOC PART | REVISION |
| 3 PLACES | ± | | | PSD | 000 | A | |
| 2 PLACES | ± | | | MATERIAL NUMBER SEE TABLE 2 | | | |
| 1 PLACE | ± | | CUSTOMER GENERAL MARKET | | | | |
| 0 PLACES | ± | | | | | SHEET NUMBER 1 OF 1 | |
| DRAFT WHERE APPLICABLE MUST REMAIN WITHIN DIMENSIONS | THIRD ANGLE PROJECTION | DRAWING | C-SIZE | SERIES | 73230 | | |