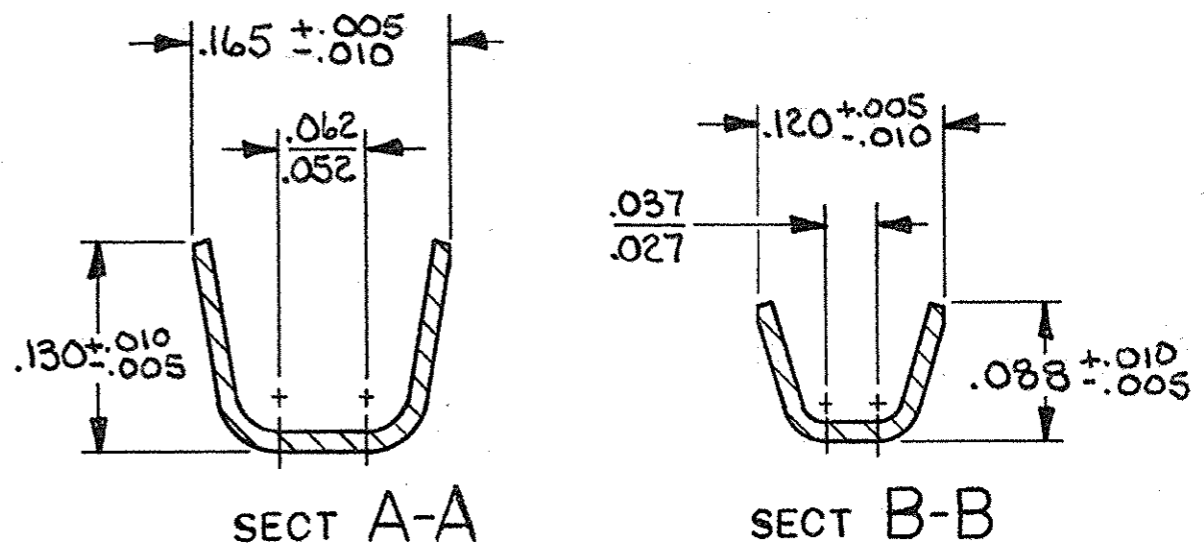
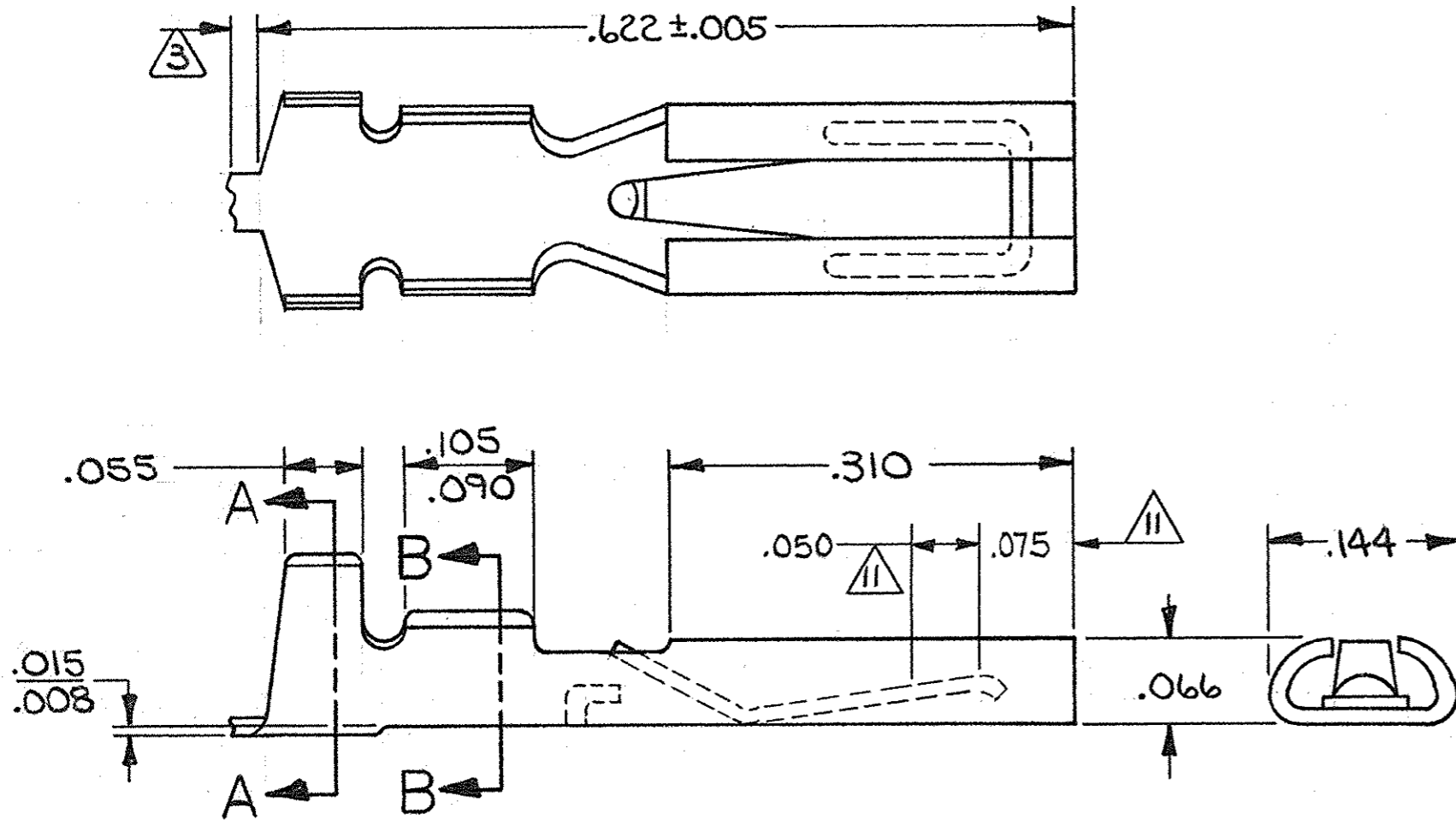


© COPYRIGHT 1981 BY AMP INCORPORATED, HARRISBURG, PA. ALL INTERNATIONAL RIGHTS RESERVED. AMP INCORPORATED PRODUCTS COVERED BY U. S. AND FOREIGN PATENTS AND/OR PATENTS PENDING.

		REVISIONS				
P	F	ZONE	LTR	DESCRIPTION	DATE	APPROVED
01	✓		O1	REVISED PER 8079	8/11/82	EAM
✓	✓		P	OBS-4,5-7 ECNOF 0949	11-88	JW
			R	REVISED PER OH14-0139-05	1-06	PY RG
			S	REV PER ECO-12-000778	1-12	DE



- FOR CRIMPING INFORMATION SEE SPEC.#108-9201.
- FOR SUPPLEMENTAL SPECIFICATIONS SEE #108-9004.
- CUT-OFF TAB FOR LOOSE PIECE PARTS IS .005-.020.
- .000015 GOLD OVER .000030 NICKEL IN CONTACT AREA.
- .000030 GOLD OVER .000030 NICKEL IN CONTACT AREA.
- .000050 GOLD OVER .000030 NICKEL IN CONTACT AREA.
- MAT'L = PHOS. BRONZE
- INSUL. RANGE: .054-.090 OR 2(.045-.072)
- WIRE RANGE: 1-#18, 2-#20 OR 2-#22
- .000100 TIN-LEAD OVER .000030 NICKEL ON WIRE BARREL.
- THE GOLD COVERED AREA WILL BE THE .125 BAND. THE GOLD THICKNESS IS TO BE MEASURED IN THE .050 WIDE BAND.
- .000100 TIN OVER .000030 NICKEL IN WIRE BARREL

OBSOLETE	—	9	8	5	13	5-531589-3	
OBSOLETE	531589-7	9	8	12	6	10	531589-4
	531589-6	9	8	5	10	531589-3	
OBSOLETE	531589-5	9	8	4	10	531589-2	

		L.P. P/N	WIRE RANGE	INSULATION RANGE	FINISH	PART NO
UNLESS OTHERWISE SPECIFIED DIMENSIONS ARE IN INCHES. TOLERANCES ON: DECIMALS ±.010 ANGLES		CONTRACT NO DR <i>D. Evans</i> 2-26-81		AMP AMP INCORPORATED Harrisburg, Pa.		
MATERIAL 7		CHK <i>D. X. Kelly</i> 2-26-81		NAME AMP BLADE II RECEPTACLE CONTACT		
FINISH 4 5 6 10		APPD <i>E. Parrocha</i> 2-27-81		DRAWING NO 531589		
		DSGN APPD		SIZE B		
		OTHER APPD		CODE IDENT NO 00779		
				DRAWING NO 531589		
				SCALE 8-1		
				SHEET OF 1		

CUSTOMER DRAWING