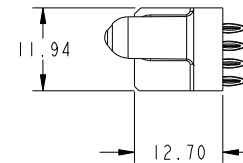
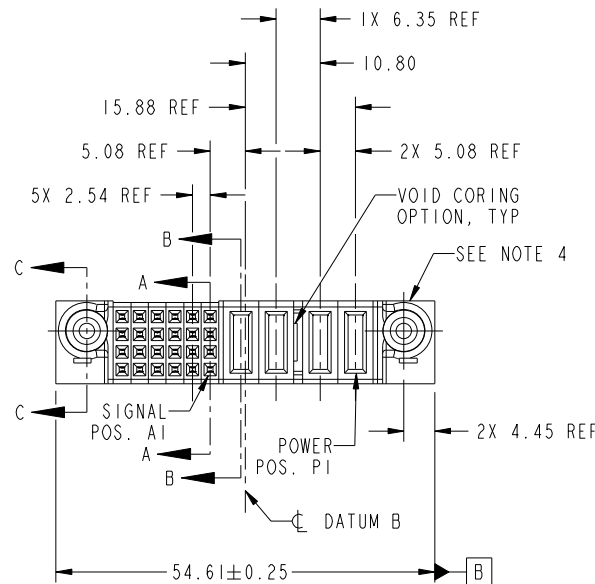


Tous droits strictement reserves. Reproduction ou communication a des tiers interdite sous quelque forme que ce soit sans autorisation écrite du propriétaire. Propriete de c FCI. Droits de reproduction FCI.



All rights strictly reserved. Reproduction or issue to third parties in any form whatever is not permitted without written authority from the proprietor. Property of FCI. Copyright FCI.

PRODUCT NO.	ROWS	SIGNAL					POWER				E1				
		E2	6	5	4	3	2	1	P4	P3		P2	P1		
51940-235-- NOTE: 3	D C B A		F	F	F	F	F	F	F	F	PC	PC	PC	PC	



CODE	DIM "M" MATING LENGTH	CONTACT TYPE
PC	[1.07]	POWER
F	[N/A]	SIGNAL

mat'l code				SEE NOTES 2		tolerances unless otherwise specified		CUSTOMER		 www.fciconnect.com		
ltr	ecn no.	dr	date	linear	0.X ± 0.3	projection		title				4P + 24S
A	DG07-0353	SH	08/31/07	angles	0.XX ± 0.13		VERTICAL PRESS FIT RECEPT				code	
				dr	0.XXX ± 0.051	scale	1:1	product family		PwrBlade	213	
				enr	0° ± 2°	size	A	dwg no		51940-235	sheet	
				chr	Sincere He 08/31/07						1 of 4	
				appd	Gary Hsieh 08/31/07							
					Joseph Hsia 08/31/07							
sheet index	revision sheet	A	A	A	A					cage code	22526	
		1	2	3	4							

Pro/E

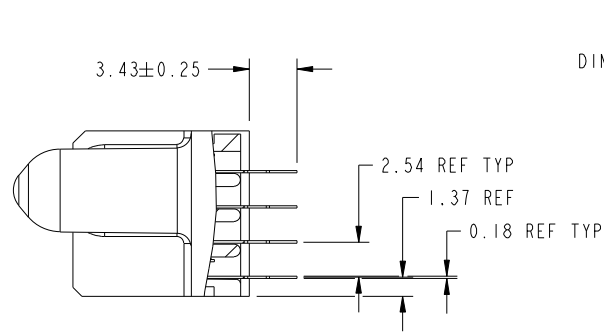
cage code 22526

Tous droits strictement reserves. Reproduction ou communication a des tiers interdite sous quelque forme que ce soit sans autorisation écrite du propriétaire. Propriete de c FCI. Droits de reproduction FCI.

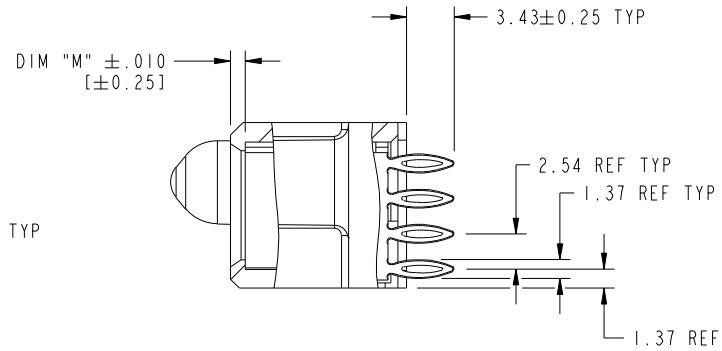
All rights strictly reserved. Reproduction or issue to third parties in any form whatever is not permitted without written authority from the proprietor. Property of FCI. Copyright FCI.



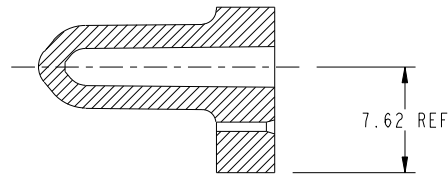
PRODUCT NUMBER
51940-235--
NOTE: 3



SECTION A-A
SCALE 2:1



SECTION B-B
SCALE 2:1



SECTION C-C
SCALE 2:1

mat'l code				SEE NOTES 2	tolerances unless otherwise specified		CUSTOMER		 www.fciconnect.com	
ltr	ecn no.	dr	date	linear	0.X ±0.3	COPY		title		
A					0.XX ±0.13	projection		4P + 24S		
				angles	0.XXX ±0.051			VERTICAL PRESS FIT RECEIPT		
				dr	0° ±2°	MIM		product family		code
				enr	Sincere He 08/31/07			PwrBlade		213
				chr	Sincere He 08/31/07	scale		size		sheet
				appd	Gary Hsieh 08/31/07	1:1		A		2 of 4
					Joseph Hsia 08/31/07			dwg no		
sheet index	revision sheet							51940-235		

cage code 22526

Pro/E

Tous droits strictement reserves. Reproduction ou communication a des tiers interdite sous quelque forme que ce soit sans autorisation écrite du propriétaire. Propriete de c FCI. Droits de reproduction FCI.



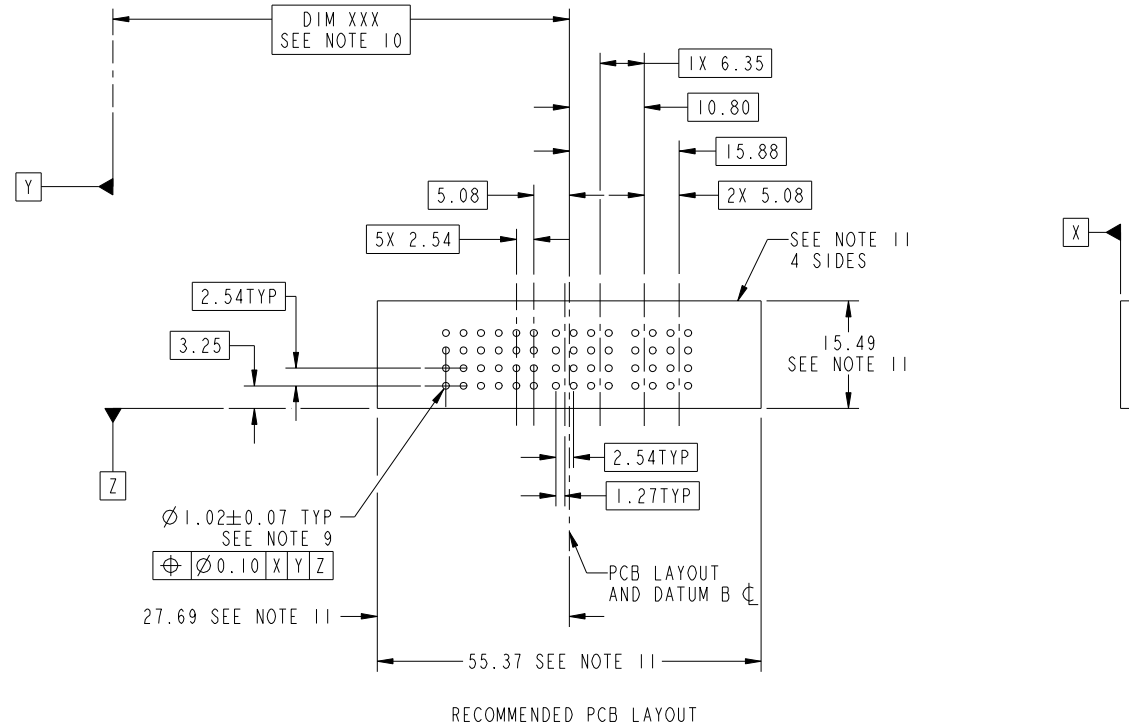
All rights strictly reserved. Reproduction or issue to third parties in any form whatever is not permitted without written authority from the proprietor. Property of FCI. Copyright FCI.

PRODUCT NUMBER
51940-235--
NOTE: 3

1 | 2

3 |

4



RECOMMENDED PCB LAYOUT

mat'l code				SEE NOTES 2		tolerances unless otherwise specified		CUSTOMER		FCI	
ltr	ecn no.	dr	date	linear	0.X ± 0.3	COPY		www.fciconnect.com		title	
A					0.XX ± 0.13	projection		4P + 24S		VERTICAL PRESS FIT RECEPT	
				angles	0.XXX ± 0.051	MIM		product family		PwrBlade	code
				dr	Sincere He 08/31/07	scale		size		213	sheet
				enr	Sincere He 08/31/07	1:1		dwg no		3 of 4	
				chr	Gary Hsieh 08/31/07			51940-235			
				appd	Joseph Hsia 08/31/07			A			
sheet index	revision sheet										

cage code 22526

Pro/E

3 |

4

1 | 2

Tous droits strictement reserves. Reproduction ou communication a des tiers interdite sous quelque forme que ce soit sans autorisation écrite du propriétaire. Propriete de c FCI. Droits de reproduction FCI.

All rights strictly reserved. Reproduction or issue to third parties in any form whatever is not permitted without written authority from the proprietor. Property of FCI. Copyright FCI.

PRODUCT NUMBER
51940-235--
NOTE: 3

NOTES:

1. DIMENSIONS AND TOLERANCES ARE IN ACCORDANCE WITH ASME Y14.5M, 1994 UNLESS OTHERWISE SPECIFIED.

CONNECTOR NOTES:

- ② HOUSING MATERIAL: UL 94 V-0 GLASS FILLED
HIGH-TEMP THERMOPLASTIC
POWER CONTACT MATERIAL: COPPER ALLOY
SIGNAL PIN MATERIAL: COPPER ALLOY
- 3. PLATING SPEC.
51940-235, 51940-235LF PLATING SPEC. WAS SHOWN IN THE PRINT OF 10064183.
- ④ MANUFACTURER'S NAME, P/N, AND DATE CODE TO APPEAR ON THIS SURFACE.
- 5. PRODUCT SPECIFICATION GS-12-149.
APPLICATION SPECIFICATION BUS-20-067.
- 6. PACKAGED IN TRAYS.
PCB NOTES:
7. ALL HOLE DIAMETERS ARE FINISHED HOLE SIZE.
- ⑧ MOUNTING HOLES, WHERE APPLICABLE, ARE UNPLATED.
- ⑨ $\varnothing 1.151 \pm 0.025$ DRILLED HOLES PLATED WITH
0.008 MIN SnPb OR Sn OVER 0.03
TO 0.08 Cu PLATING TO ACHIEVE
 $\varnothing 1.02 \pm .07$ HOLE.
- ⑩ "DIM XXX" TO BE DETERMINED BY THE CUSTOMER.
- ⑪ CONNECTOR KEEP-OUT ZONE.

mat'l code		SEE NOTES 2		tolerances unless otherwise specified		CUSTOMER		FCI		www.fciconnect.com	
ltr	ecn no.	dr	date	linear	0.X ± 0.3	COPY		title			
A					0.XX ± 0.13	projection		4P + 24S			
				angles	0.XXX ± 0.051			VERTICAL PRESS FIT RECEIPT			
					0° ± 2°	MIM		product family		PwrBlade	code
				dr	Sincere He 08/31/07	← MIM →		size		dwg no	213
				enr	Sincere He 08/31/07	scale		A		51940-235	sheet
				chr	Gary Hsieh 08/31/07	1:1				4 of 4	
				appd	Joseph Hsia 08/31/07						
sheet index		revision sheet									

cage code 22526

Pro/E