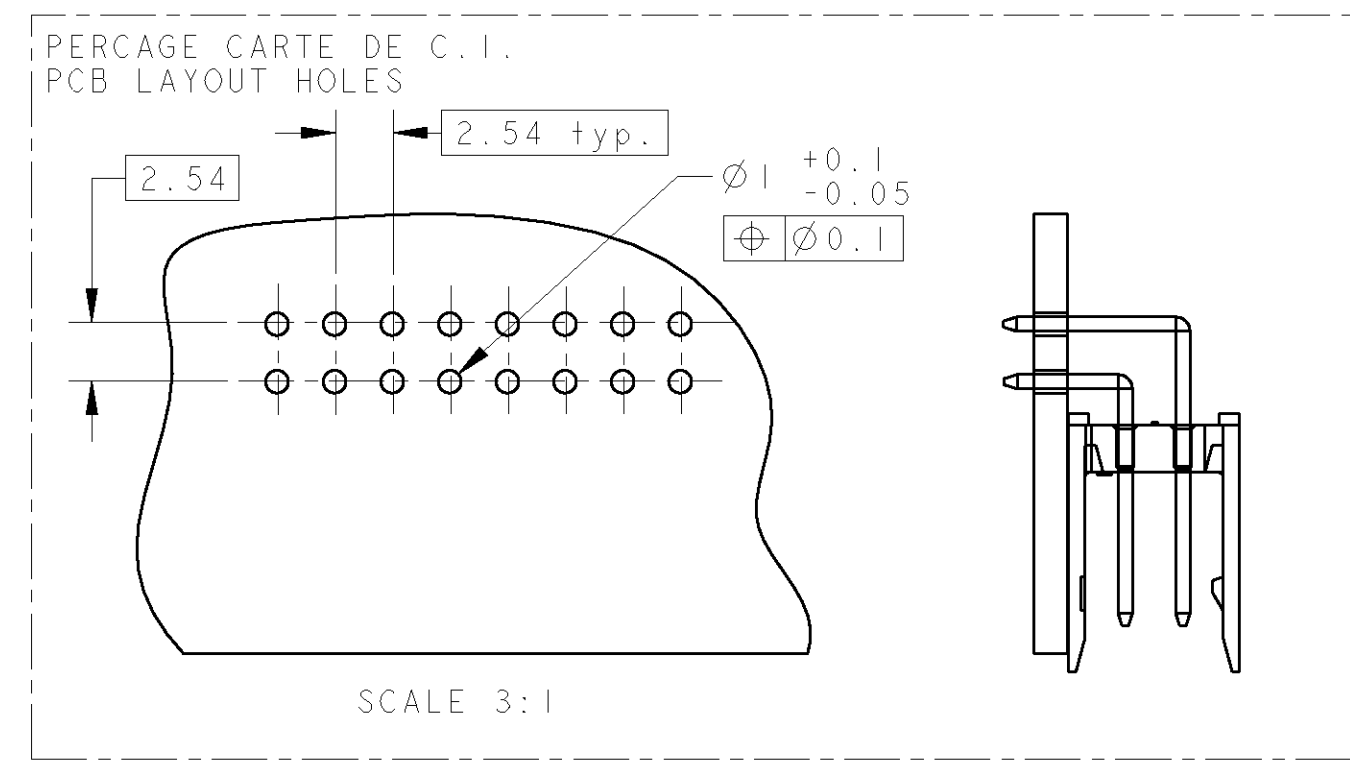
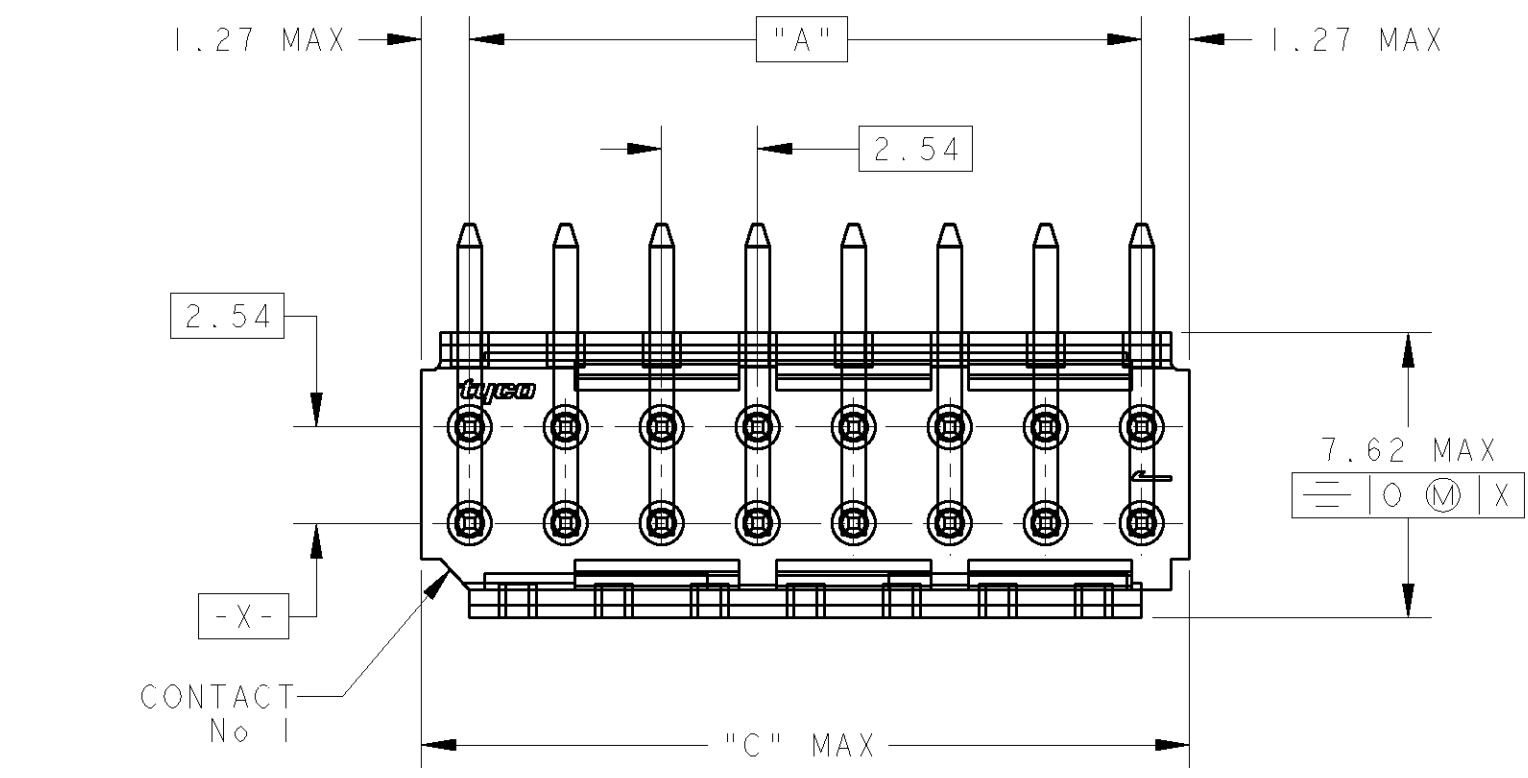
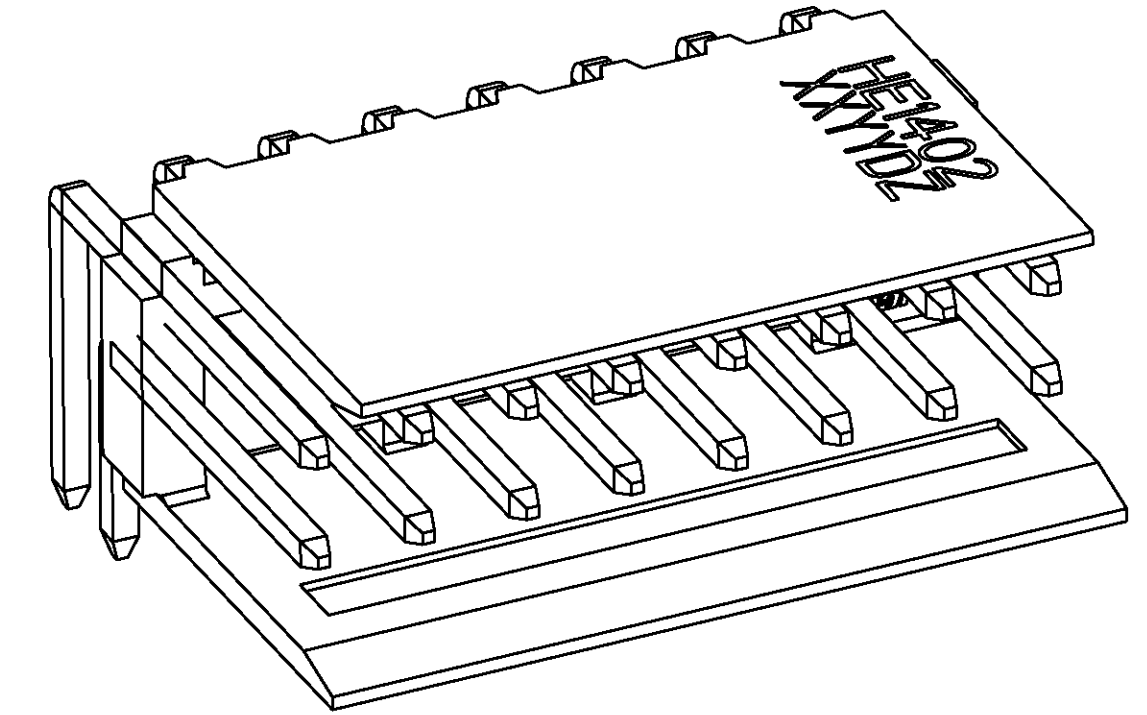
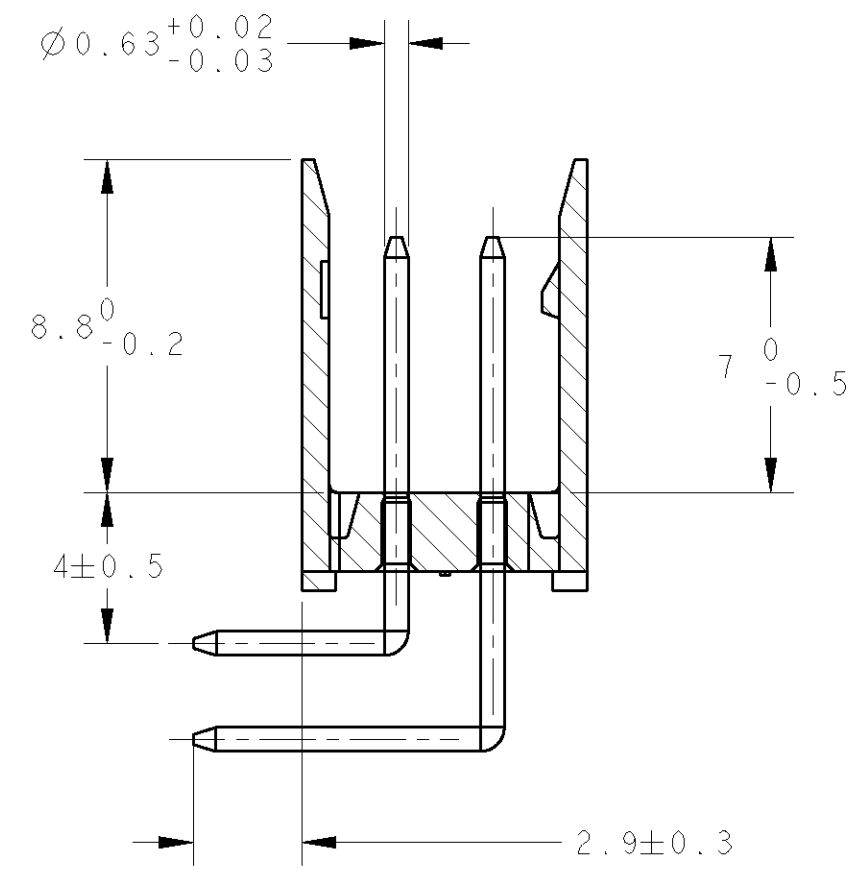
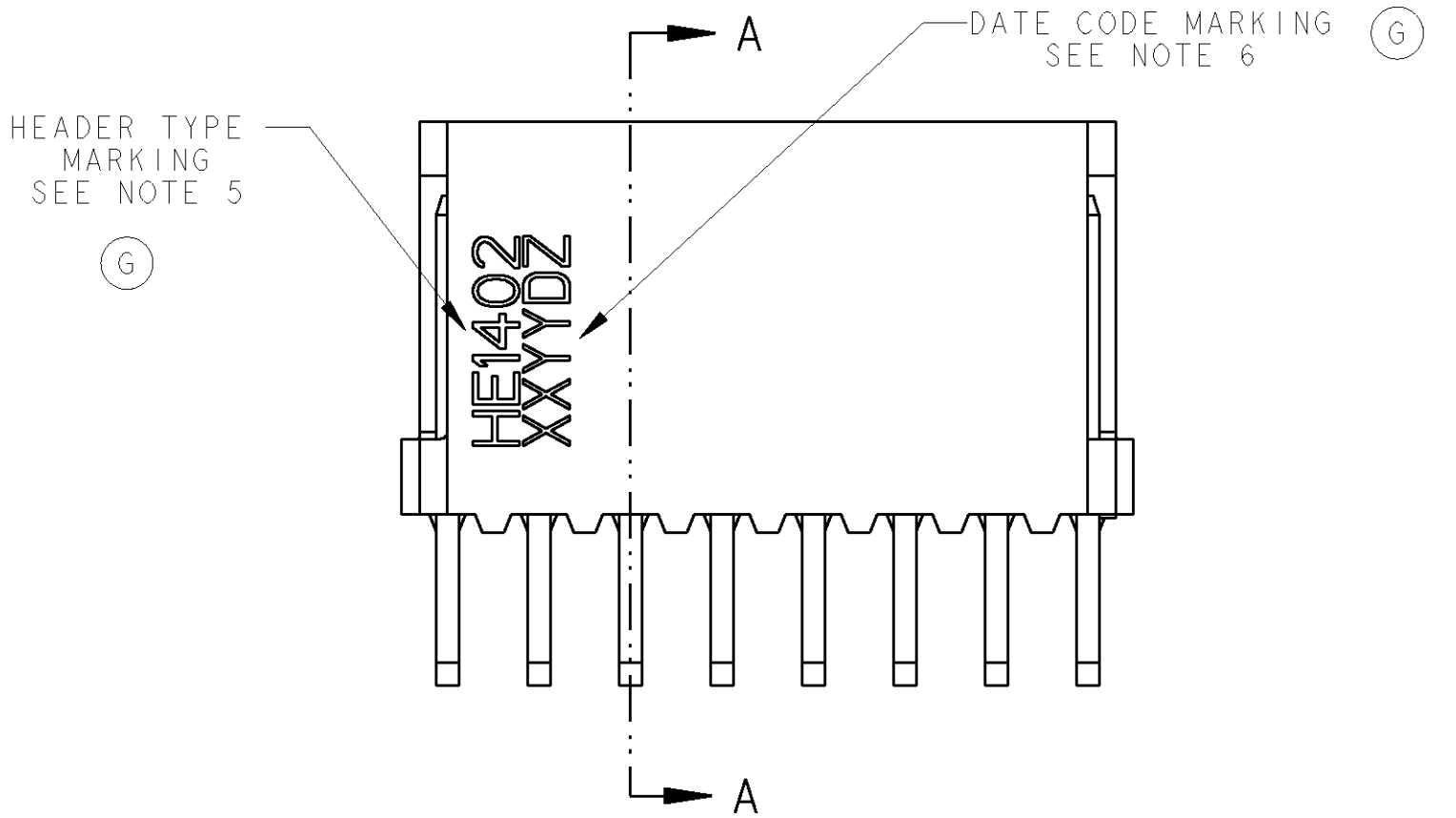


THIS DRAWING IS UNPUBLISHED.  
 DIFFUSION RESTREINTE  
 © COPYRIGHT

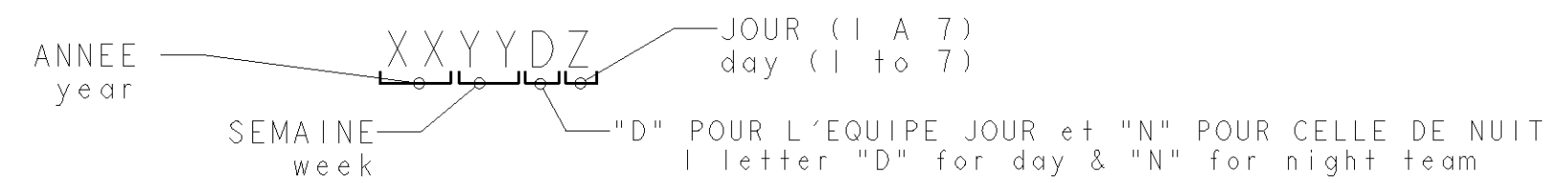
RELEASED FOR PUBLICATION  
 LIBRE A LA DIFFUSION  
 ALL RIGHTS RESERVED.  
 TOUS DROITS RESERVES

LOC	DIST	REVISIONS			
P	LTR	DESCRIPTION MODIFICATIONS	DATE	DWN DESS.	APVD APP.
F	7	G1 REVISED PER ECO-11-005150	19APR11	RK	HMR



C	A	Nb DE POS	PART NUMBER
50.80	48.26	2x 20	2-281742-0
45.72	43.18	2x 18	1-281742-8 *
43.18	40.64	2x 17	1-281742-7
38.10	35.56	2x 15	1-281742-5 *
33.02	30.48	2x 13	1-281742-3
30.48	27.94	2x 12	1-281742-2 *
25.40	22.86	2x 10	1-281742-0 *
20.32	17.78	2x 8	0-281742-8 *
15.24	12.70	2x 6	0-281742-6 *
12.70	10.16	2x 5	0-281742-5 *
10.16	7.62	2x 4	0-281742-4 *
7.62	5.08	2x 3	0-281742-3 *
5.08	2.54	2x 2	0-281742-2

- NOTES:
- CES EMBASES SONT PREVUES POUR ETRE ACCOUPLEES AVEC LES FICHES "HE1402" SIMPLE RANGEE.  
(These headers are designed to be mated with "HE1402" connectors single row)
  - LES REFERENCES SUIVIES D'UN \* SONT LES VERSIONS NORMALISEES SELON LA NORME CEI 603-8  
(The parts numbers followed by \* are covered by the international standard IEC 603-8)
  - RETEVEMENT DES CONTACTS: ETAIN PUR SUR NICKEL  
(Contacts plating: lead free tin over nickel)
  - MATIERE PLASTIQUE: TERMO-PLASTIQUE HAUTE TEMPERATURE, UL-94V0, COULEUR BLEUE  
(Plastic material: High temperature thermoplastic, UL-94V0, Blue color)  
MATIERE DES CONTACTS: BRONZE PHOSPHOREUX  
(Contacts material: phosphor bronze)
  - MARQUAGE DU TYPE D'EMBASE (HE1402) A L'ENCRE NOIRE  
(header type marking (HE1402) with black ink)
  - MARQUAGE DE LA DATE A L'ENCRE NOIRE :  
(date code marking with black ink)



DIMENSIONS: mm		TOLERANCES UNLESS OTHERWISE SPECIFIED: (SUIV. NB DE DECIMALES) 0 PLC/DEC: ± 1 PLC/DEC: ±0.3 2 PLC/DEC: ±0.13 3 PLC/DEC: ±0.013 4 PLC/DEC: ±0.0013 ANGLES ±°		DWN/DESSINE 22NOV2000 C. COMBEDOUZON CHK/VERIFIE 22NOV2000 I. CORRIOL APVD/APROUVE 22NOV2000 Y. PETRONIN		 TE Connectivity	
MATERIAL/MATIERE		FINISH/FINITION		PRODUCT SPEC SPEC. PRODUIT 108-15053		NAME TITRE HEADERS HE14, DOUBLE ROW, RIGHT ANGLE	
UNIQUEMENT POUR REFERENCE		SCALE ECHELLE 5:1		WEIGHT MASSE APPROX.		SIZE FORMAT A2	
CUSTOMER DRAWING /PLAN CLIENT		SHEET FEUILLE		DRAWING NO No PLAN 00779		RESTRICTED TO RESERVE A	
				APPLICATION SPEC SPEC. APPLICATION		REV G1	