

1379658-1 ✓ ACTIVE



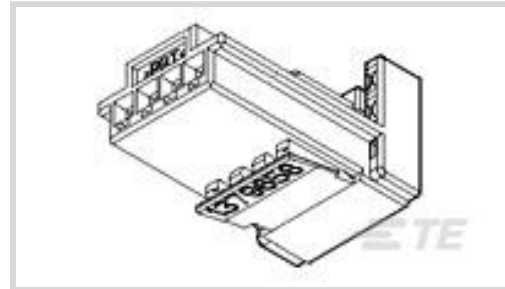
TH/.025 Connector System

TE Internal #: 1379658-1

Housing for Female Terminals, Wire-to-Wire / Wire-to-Board, 4 Position, .087 in [2.2 mm] Centerline, Black, Wire & Cable, TH/.025 Connector System

[View on TE.com >](#)

Connectors > Automotive Connectors > Automotive Housings > TH/.025 CONNECTOR SYSTEM, HOUSING



Connector & Housing Type: **Housing for Female Terminals**

Mating Tab Width: **.63 mm [.025 in]**

Connector System: **Wire-to-Board, Wire-to-Wire**

Number of Positions: **4**

Centerline (Pitch): **2.2 mm [.087 in]**

[All TH/.025 CONNECTOR SYSTEM, HOUSING \(217\)](#)

Features

Product Type Features

| | |
|-----------------------------------|------------------------------|
| Connector Shape | Rectangular |
| Connector & Housing Type | Housing for Female Terminals |
| Connector System | Wire-to-Board, Wire-to-Wire |
| Sealable | No |
| Hybrid Connector | No |
| Primary Locking Feature | On the Terminal |
| Connector & Contact Terminates To | Wire & Cable |

Configuration Features

| | |
|---------------------|---|
| Number of Positions | 4 |
| Number of Rows | 1 |

Electrical Characteristics

| | |
|------------------------------|------------|
| Operating Voltage | 14 VDC |
| Nominal Voltage Architecture | 12 V, 14 V |

Body Features

| | |
|-------------------------|-------|
| Cable Exit Angle | 180° |
| Primary Product Color | Black |
| Connector & Keying Code | 1 |



Contact Features

| | |
|------------------------------|-----------------|
| Contact Size | .63mm |
| Contact Type | Receptacle |
| Mating Tab Width | .63 mm[.025 in] |
| Contact Current Rating (Max) | 4 A |

Mechanical Attachment

| | |
|-----------------------------|----------------------------|
| Terminal Position Assurance | Yes |
| Strain Relief | Without |
| Mating Alignment Type | Keyed |
| Mating Alignment | With |
| Connector Mounting Type | Cable Mount (Free-Hanging) |

Housing Features

| | |
|--------------------|-----------------|
| Housing Material | PBT |
| Centerline (Pitch) | 2.2 mm[.087 in] |

Dimensions

| | |
|------------------|-------------------|
| Connector Height | 10.05 mm[.396 in] |
| Product Width | 19 mm[.748 in] |
| Product Length | 11.8 mm[.465 in] |

Usage Conditions

| | |
|-----------------------------|---|
| Operating Temperature (Max) | 70 °C, 75 °C, 80 °C, 85 °C, 90 °C, 100 °C [158 °F][167 °F][176 °F][185 °F][194 °F][212 °F] |
| Operating Temperature Range | -40 – 100 °C[-40 – 212 °F] |

Operation/Application

| | |
|---------------------|--------|
| Circuit Application | Signal |
|---------------------|--------|

Industry Standards

| | |
|------------------------|---------|
| UL Flammability Rating | UL 94HB |
|------------------------|---------|

Packaging Features

| | |
|--------------------|-----|
| Packaging Quantity | 900 |
| Packaging Method | Bag |

Other

| | |
|-------------|-----|
| Serviceable | Yes |
|-------------|-----|



Connector Position Assurance Capable

No

Product Compliance


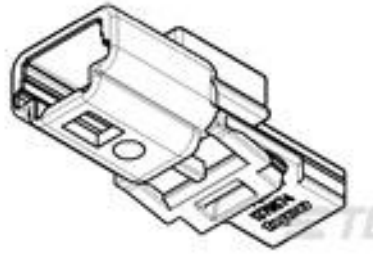


[For compliance documentation, visit the product page on TE.com>](#)

| | |
|---|--|
| EU RoHS Directive 2011/65/EU | Compliant |
| EU ELV Directive 2000/53/EC | Compliant |
| China RoHS 2 Directive MIIT Order No 32, 2016 | No Restricted Materials Above Threshold |
| EU REACH Regulation (EC) No. 1907/2006 | Current ECHA Candidate List: JUNE 2023 (235) Candidate List Declared Against: JAN 2023 (233) Does not contain REACH SVHC |
| Halogen Content | Low Halogen - Br, Cl, F, I < 900 ppm per homogenous material. Also BFR/CFR/PVC Free |
| Solder Process Capability | Not reviewed for solder process capability |

Product Compliance Disclaimer

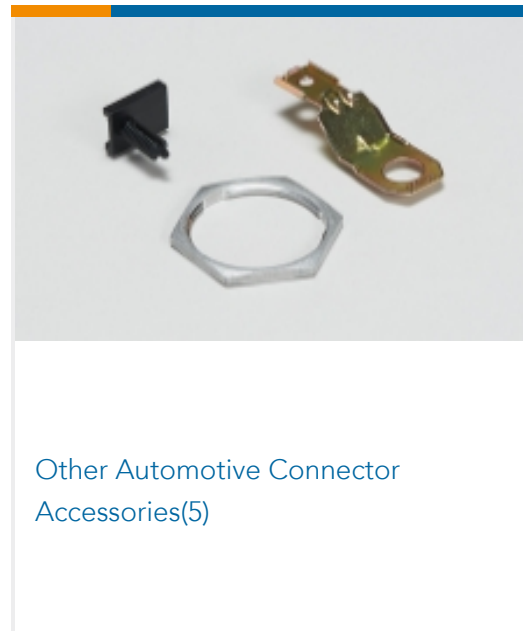
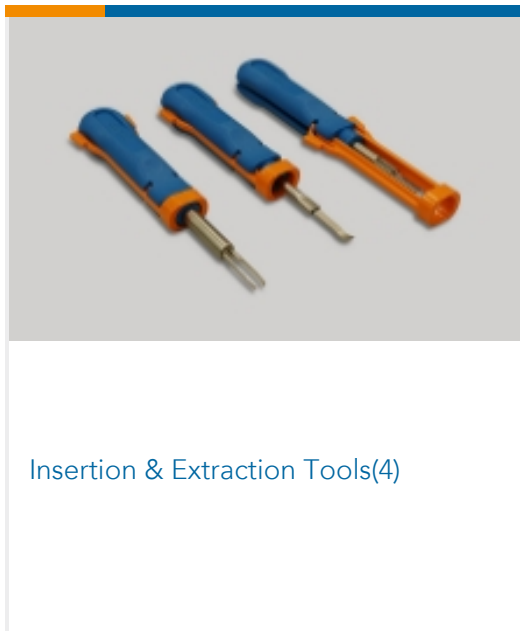
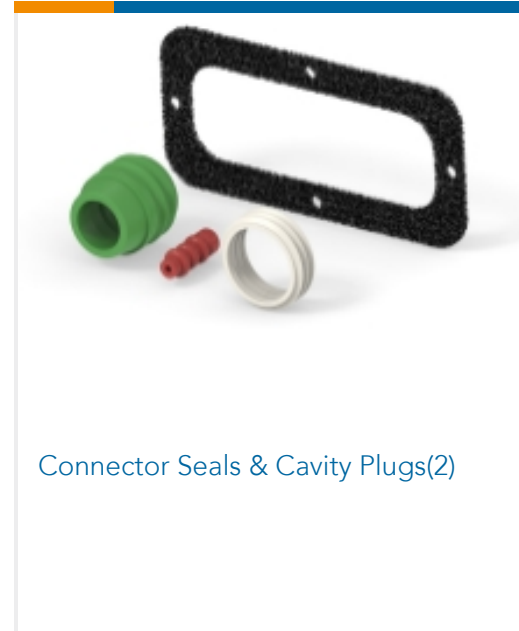
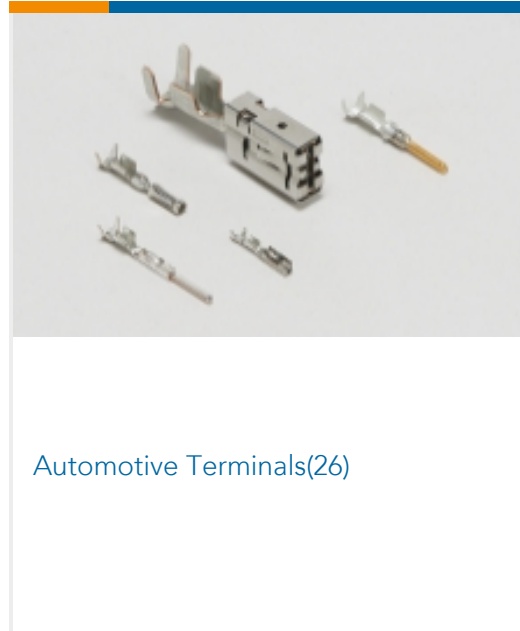
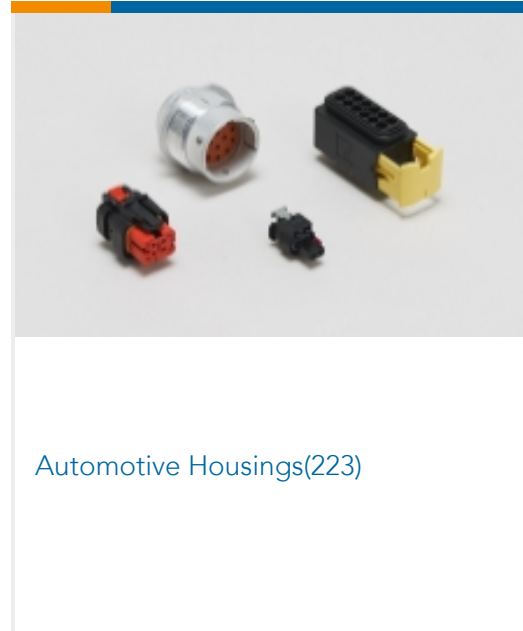
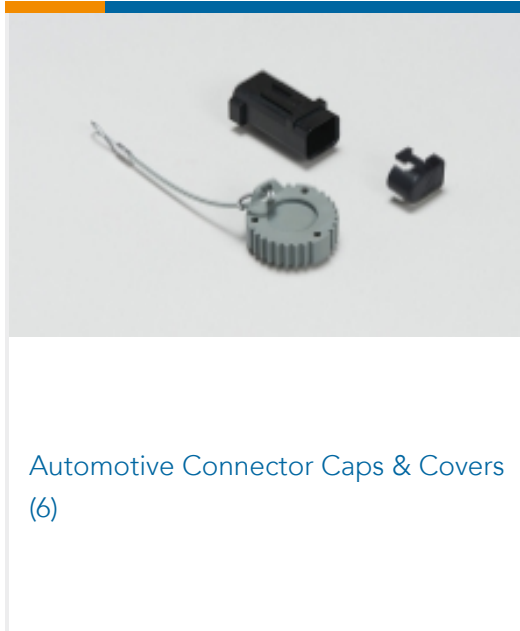
This information is provided based on reasonable inquiry of our suppliers and represents our current actual knowledge based on the information they provided. This information is subject to change. The part numbers that TE has identified as EU RoHS compliant have a maximum concentration of 0.1% by weight in homogenous materials for lead, hexavalent chromium, mercury, PBB, PBDE, DBP, BBP, DEHP, DIBP, and 0.01% for cadmium, or qualify for an exemption to these limits as defined in the Annexes of Directive 2011/65/EU (RoHS2). Finished electrical and electronic equipment products will be CE marked as required by Directive 2011/65/EU. Components may not be CE marked. Additionally, the part numbers that TE has identified as EU ELV compliant have a maximum concentration of 0.1% by weight in homogenous materials for lead, hexavalent chromium, and mercury, and 0.01% for cadmium, or qualify for an exemption to these limits as defined in the Annexes of Directive 2000/53/EC (ELV). Regarding the REACH Regulation, the information TE provides on SVHC in articles for this part number is based on the latest European Chemicals Agency (ECHA) 'Guidance on requirements for substances in articles' posted at this URL: <https://echa.europa.eu/guidance-documents/guidance-on-reach>

Compatible Parts

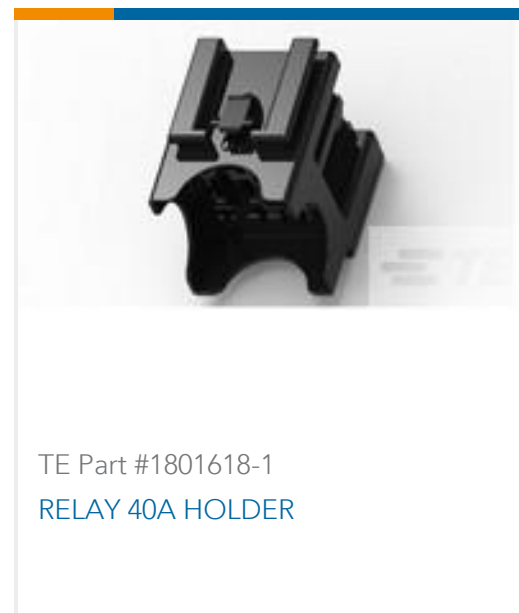
| | | | |
|--|--|--|--|
|  <p>TE Part # CAT-SIGH262 Signal Header</p> |  <p>TE Part # 1379674-1 4W TAB HSG CODING 1 BLACK</p> |  <p>TE Part # CAT-T319-T273 TH/.025 CONNECTOR SYSTEM, RECPT AND TAB</p> |  <p>TE Part # 1802822-1 4POS, TAB0.63X0.63, HDR ASSY, 180DEG, COD 1</p> |
|--|--|--|--|



Also in the Series | TH/.025 Connector System



Customers Also Bought





Documents

Product Drawings

[4W RCPT HSG CODING 1 BLAC](#)

English

CAD Files

[3D PDF](#)

3D

Customer View Model

[ENG_CVM_CVM_1379658-1_A.2d_dxf.zip](#)

English

Customer View Model

[ENG_CVM_CVM_1379658-1_A.3d_igs.zip](#)

English

Customer View Model

[ENG_CVM_CVM_1379658-1_A.3d_stp.zip](#)

English

By downloading the CAD file I accept and agree to the [Terms and Conditions](#) of use.

Datasheets & Catalog Pages

[TH/.025 Connector Series](#)

English

Product Specifications

[Packaging specification for TH Tab en Plug \(TH TES\)](#)

English

[Product Specification](#)

English

Product Environmental Compliance

[Product Compliance](#)

English

[Product Compliance](#)

English

Instruction Sheets

[Instruction Sheet \(non U.S.\)](#)

1379658-1

Housing for Female Terminals, Wire-to-Wire / Wire-to-Board, 4 Position, .087 in [2.2 mm] Centerline, Black, Wire & Cable, TH/.025 Connector System



English