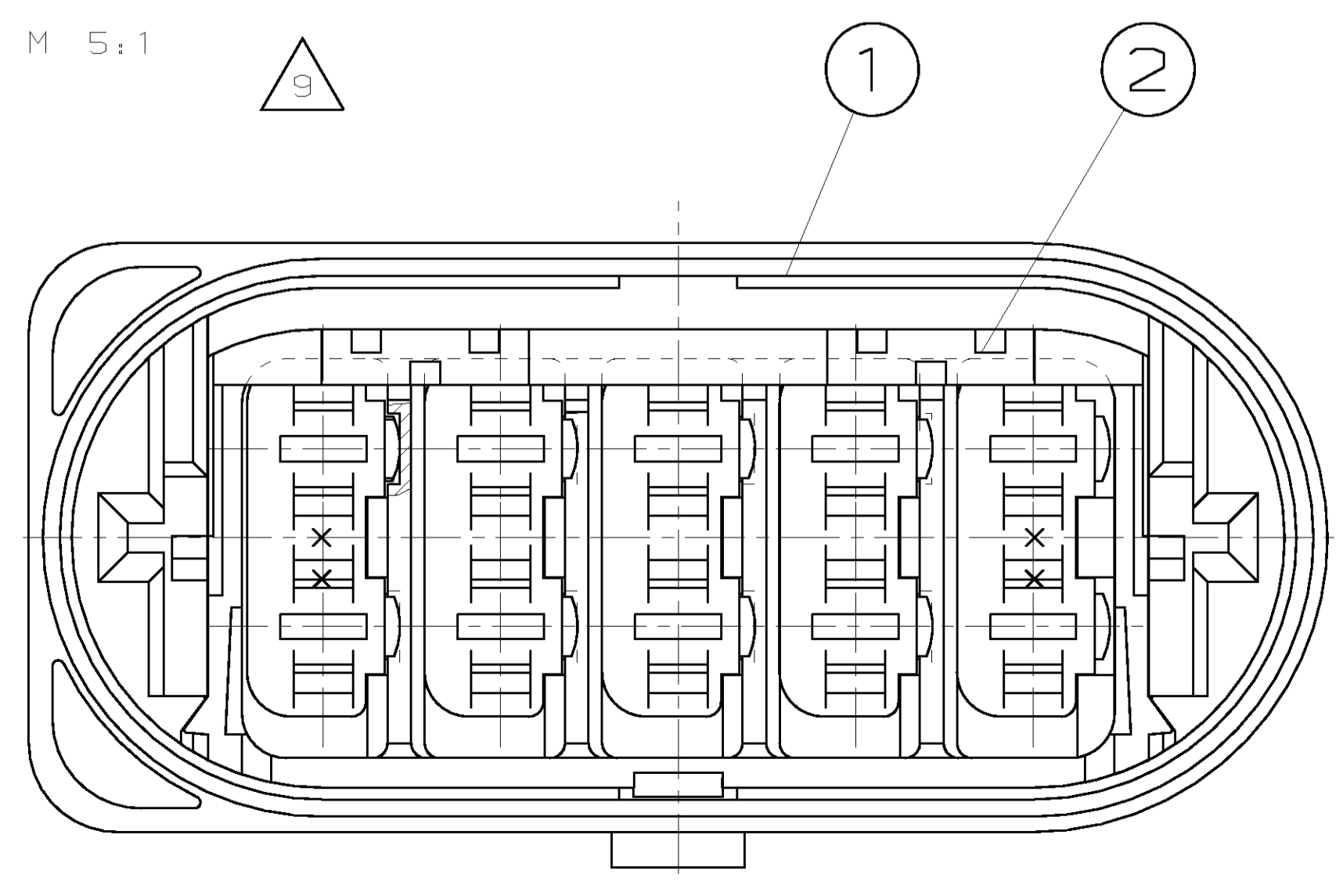
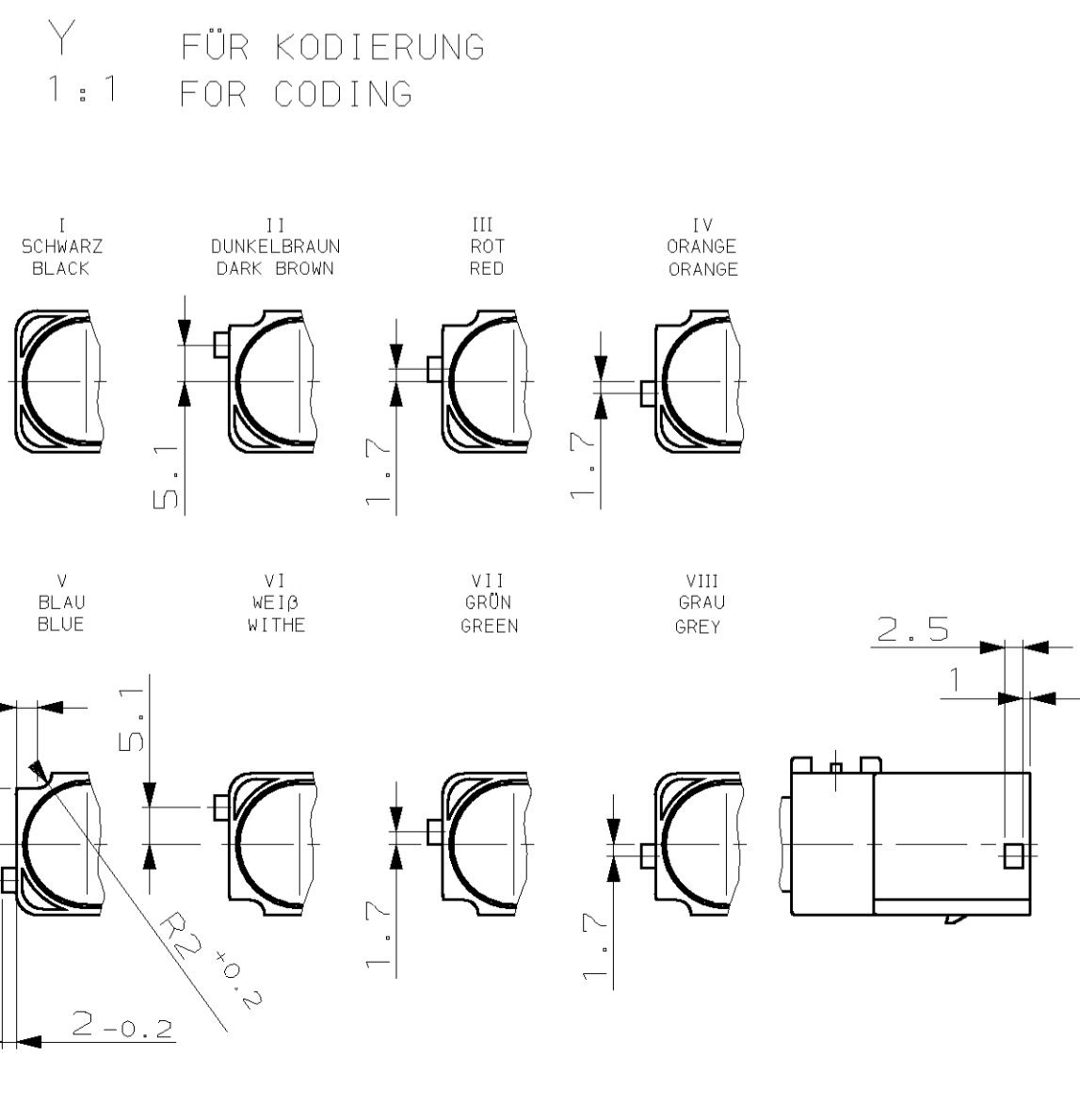


- BEMERKUNGEN**
 NOTES
- MITTELSCHRIFT NACH DIN 1451
 CHARACTERS ACCORDING TO DIN 1451
 - △ SCHRIFTHÖHE 1.2 ERHABEN 0.15 FELD VERTIEFT 0.2
 CHARACTERS 1.2 RAISED 0.15 FIELD RECEDE 0.2
 - 3 ALL RADI: EXCEPT AS NOTED
 - △ SCHRIFTHÖHE 2.5 VERTIEFT 0.15
 CHARACTERS 2.5 RECEDE 0.15
 - △ KONTAKTKAMMERNUMMER
 CONTACT CAVITY NUMBER
 - △ PRODUKTIONSdatum MIT DATUMSUHR $\varnothing 3\text{mm}$
 PRODUCTION-DATE WITH DATE INSERT
 - △ WERKSTOFF-KENNZEICHNUNG NACH VDA 260
 MATERIAL MARKING ACC. TO
- DAS TEIL 1718167 WIRD Z.B. MIT DEM KONTAKT 2-964300-1 UND DER EINZELADERDICHTUNG 963294-1 BESTÜCKT AUF DIE ENTSPRECHENDE SCHNITTSTELLE NACH 114-18131-1 GESTECKT
- 8 THE PART NO. 1718167 ASSEMBLED FOR EXAMPLE WITH CONTACT 2-964300-1 AND SEALING 963294-1 WILL HAVE A SUITABLE MATING PART ACC. TO 114-18131-1
 - △ GEHÄUSE OHNE EINSCHUB
 HOUSING WITHOUT SNAP-IN ATTACHMENT

X OHNE VERRIEGELUNG
 10:1 WITHOUT RETAINER



COD	tyco-NO	REV	ITEM NO	DESCRIPTION	MATERIAL	COLOR	RAL-NO
VIII	1-1718167-8	A	2	RETAINER, 2x5 POSN. ...	PBT-GF30	VIOLET	4006
			1	TAB HOUSING ASSY, 2x5 POSN. ...	PBT-GF20	GREY	7036
VII	1-1718167-7	A	2	RETAINER, 2x5 POSN. ...	PBT-GF30	VIOLET	4006
			1	TAB HOUSING ASSY, 2x5 POSN. ...	PBT-GF20	GREEN	6018
VI	1-1718167-6	A	2	RETAINER, 2x5 POSN. ...	PBT-GF30	VIOLET	4006
			1	TAB HOUSING ASSY, 2x5 POSN. ...	PBT-GF20	WHITE	9010
V	1-1718167-5	A	2	RETAINER, 2x5 POSN. ...	PBT-GF30	VIOLET	4006
			1	TAB HOUSING ASSY, 2x5 POSN. ...	PBT-GF20	BLUE	5012
IV	1-1718167-4	A	2	RETAINER, 2x5 POSN. ...	PBT-GF30	VIOLET	4006
			1	TAB HOUSING ASSY, 2x5 POSN. ...	PBT-GF20	ORANGE	2003
III	1-1718167-3	A	2	RETAINER, 2x5 POSN. ...	PBT-GF30	VIOLET	4006
			1	TAB HOUSING ASSY, 2x5 POSN. ...	PBT-GF20	RED	3003
II	1-1718167-2	A	2	RETAINER, 2x5 POSN. ...	PBT-GF30	VIOLET	4006
			1	TAB HOUSING ASSY, 2x5 POSN. ...	PBT-GF20	DARK BROWN	8012
I	1-1718167-1	A	2	RETAINER, 2x5 POSN. ...	PBT-GF20	VIOLET	4006
			1	TAB HOUSING ASSY, 2x5 POSN. ...	PBT-GF20	BLACK	9011
VIII	1718167-8	A	2	RETAINER, 2x5 POSN. ...	PBT-GF30	VIOLET	4006
			1	TAB HOUSING ASSY, 2x5 POSN. ...	PBT-GF20	GREY	7036
VII	1718167-7	A	2	RETAINER, 2x5 POSN. ...	PBT-GF30	VIOLET	4006
			1	TAB HOUSING ASSY, 2x5 POSN. ...	PBT-GF20	GREEN	6018
VI	1718167-6	A	2	RETAINER, 2x5 POSN. ...	PBT-GF30	VIOLET	4006
			1	TAB HOUSING ASSY, 2x5 POSN. ...	PBT-GF20	WHITE	9010
V	1718167-5	A	2	RETAINER, 2x5 POSN. ...	PBT-GF30	VIOLET	4006
			1	TAB HOUSING ASSY, 2x5 POSN. ...	PBT-GF20	BLUE	5012
IV	1718167-4	A	2	RETAINER, 2x5 POSN. ...	PBT-GF30	VIOLET	4006
			1	TAB HOUSING ASSY, 2x5 POSN. ...	PBT-GF20	ORANGE	2003
III	1718167-3	A	2	RETAINER, 2x5 POSN. ...	PBT-GF30	VIOLET	4006
			1	TAB HOUSING ASSY, 2x5 POSN. ...	PBT-GF20	RED	3003
II	1718167-2	A	2	RETAINER, 2x5 POSN. ...	PBT-GF30	VIOLET	4006
			1	TAB HOUSING ASSY, 2x5 POSN. ...	PBT-GF20	DARK BROWN	8012
I	1718167-1	A	2	RETAINER, 2x5 POSN. ...	PBT-GF30	VIOLET	4006
			1	TAB HOUSING ASSY, 2x5 POSN. ...	PBT-GF20	BLACK	9011

AMP tyco Electronics AMP GmbH
 D - 64625 Bensheim

AMP 108-18180
 TAB HOUSING ASSY, 2x5 POSITION,
 RADIAL SEAL, 2.8MM
 FLACHSTECKERGEHÄUSE KOMPLETT,
 RADIALDICHT, 2.8MM

AMP 1718167
 1718167

AMP 1718167