

### DISTINCTIVE CHARACTERISTICS

- Programmable display graphics for alphanumeric characters and animated sequences
- 64 colors of backlighting can be controlled dynamically
- Pushbutton switches or display with LCD, RGB LED backlighting
- General brightness of backlight is dynamically controlled in eight steps from dark to bright
- Operated by commands and data supplied via serial communications (SPI)
- Incorporates bitmap display function
- Dual image VRAM for quick change of displayed images
- Travel options: Standard travel of 1.8mm, or long travel of 4.5mm (same as KP01 Series)
- Low energy consumption
- Dust tight construction

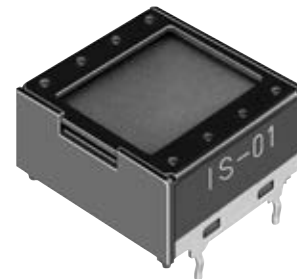
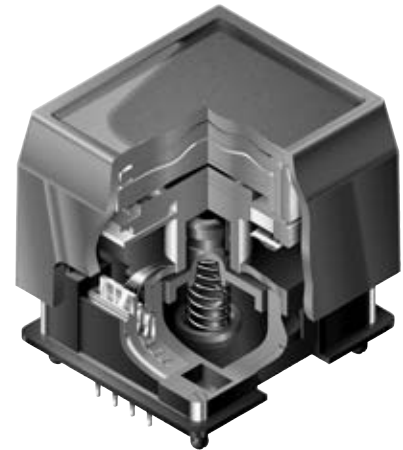
Viewing areas:  
 Switches - 17.0mm x 13.0mm (horizontal x vertical)  
 Display - 14.4mm x 11.8mm

High reliability and long life of one million (short travel) or three million (long travel) actuations

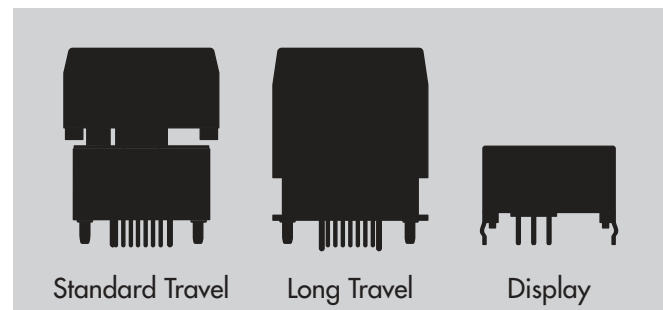
High resolution of 64 x 32 pixels

Epoxy sealed straight PC terminals

Snap-in standoff legs on the switches, or display's bracket with crimped legs, ensure secure mounting and alignment and prevent dislodging during wave soldering.



Actual Sizes of Switches & Display





**IS15EBFP4RGB-09YN**  
 RGB LED Backlight  
 Black and White LCD  
 Standard Travel

**IS15EBFP4RGB**  
 RGB LED Backlight  
 Black and White LCD  
 Long Travel



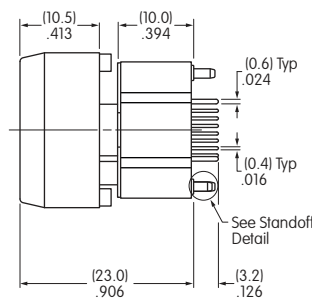
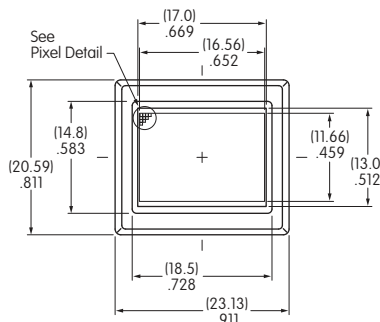
## SWITCH PART NUMBERS & DESCRIPTION

Part Numbers	Switch Description	LCD Mode	LED Color
<b>IS15EBFP4RGB-09YN</b> <b>IS15EBFP4RGB</b>	SPST Momentary ON Gold Contacts Straight PC Terminals	Black & White FSTN Positive	Red/Green/Blue

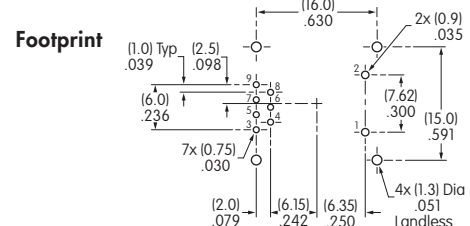
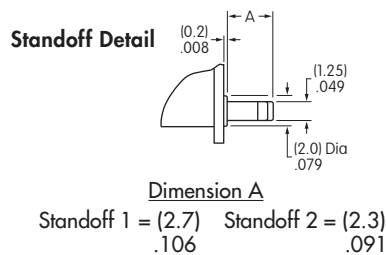
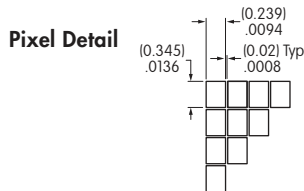
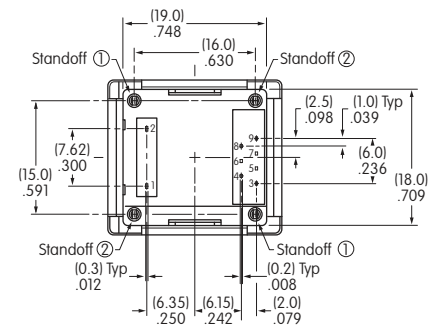
## SWITCH SPECIFICATIONS

	Standard Travel	Long Travel
<b>Circuit</b>	SPST normally open	SPST normally open
<b>Electrical Capacity (Resistive Load)</b>	100mA @ 12V DC	100mA @ 12V DC
<b>Contact Resistance</b>	200 milliohms maximum @ 20mV 10mA	200 milliohms maximum @ 20mV 10mA
<b>Insulation Resistance</b>	100 megohms minimum @ 100V DC	100 megohms minimum @ 100V DC
<b>Dielectric Strength</b>	125V AC for 1 minute minimum	125V AC for 1 minute minimum
<b>Mechanical Endurance</b>	1,000,000 operations minimum	3,000,000 operations minimum
<b>Electrical Endurance</b>	1,000,000 operations minimum	3,000,000 operations minimum
<b>Operating Force</b>	1.7 ± 0.5 Newtons	2.0 ± 0.5 Newtons
<b>Total Travel</b>	1.8mm (.071")	4.5mm (.177")

## TYPICAL SWITCH DIMENSIONS FOR STANDARD TRAVEL



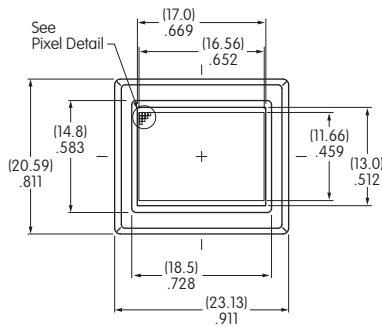
Terminal numbers are not on the switch.



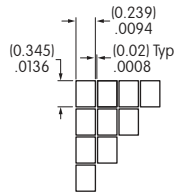
The Compact LCD 64 x 32 Pushbutton may utilize the same footprint as the Standard Travel LCD 64 x 32 Pushbutton.

Toggles  
 Rockers  
 Pushbuttons  
 Illuminated PB  
**E** Programmable  
 Keylocks  
 Rotaries  
 Slides  
 Tactiles  
 Tilt  
 Touch  
 Indicators  
 Accessories  
 Supplement

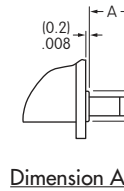
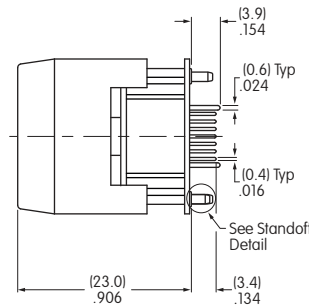
### TYPICAL SWITCH DIMENSIONS FOR LONG TRAVEL



Pixel Detail



Standoff Detail

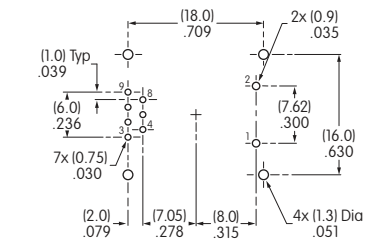
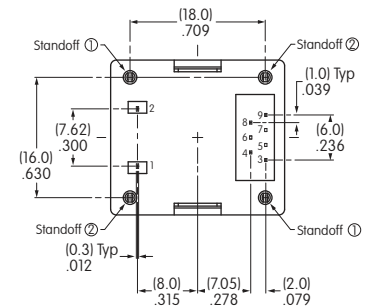


Dimension A

Standoff 1 = (2.7) .106  
Standoff 2 = (2.3) .091

Footprint

Terminal numbers are not on the switch.



The following pages for LCD 64 x 32 Pushbuttons apply to both the Standard Travel and Long Travel LCD 64 x 32 Pushbuttons.

### LCD SPECIFICATIONS

#### Characteristics of Display

Display Operation Mode	FSTN positive; background colors, black & white
Display Condition	Transflective with built-in LED backlight
Viewing Angle Direction	6 o'clock
Viewing Area	17.0mm x 13.0mm (horizontal x vertical)
Pixel Format	64 x 32 pixels (horizontal x vertical)
Pixel Size	0.239mm x 0.345mm (horizontal x vertical)
*Operating Temperature Range	-15°C ~ +50°C (+5°F ~ +122°F)
Storage Temperature Range	-20°C ~ +60°C (-4°F ~ +140°F)
Backlight LED	RGB: red/green/blue

\* In a low temperature environment (below 0°C), speed and contrast decrease when image changes. The non-indicator dot may become dense in a high temperature environment (about +50°C). Highest backlight brightness level should not be used for temperatures above +35°C.

#### Absolute Maximum Ratings (Temperature at 25°C)

Items	Symbols	Ratings
Supply Voltage	$V_{DD}$	-0.3V to +7.0V
Input Voltage	$V_I$	-0.3V to $V_{DD} + 0.3V$
Output Voltage	$V_O$	-0.3V to $V_{DD} + 0.3V$

#### Optical Characteristics (Temperature at 25°C)

Items	Symbols	Min	Typical	Max
Contrast Ratio	Cr	—	3.0	—
Viewing Angle (Cr ≥ 1.1)	Up & Down	θ	90°	—
	Right & Left	φ	90°	—

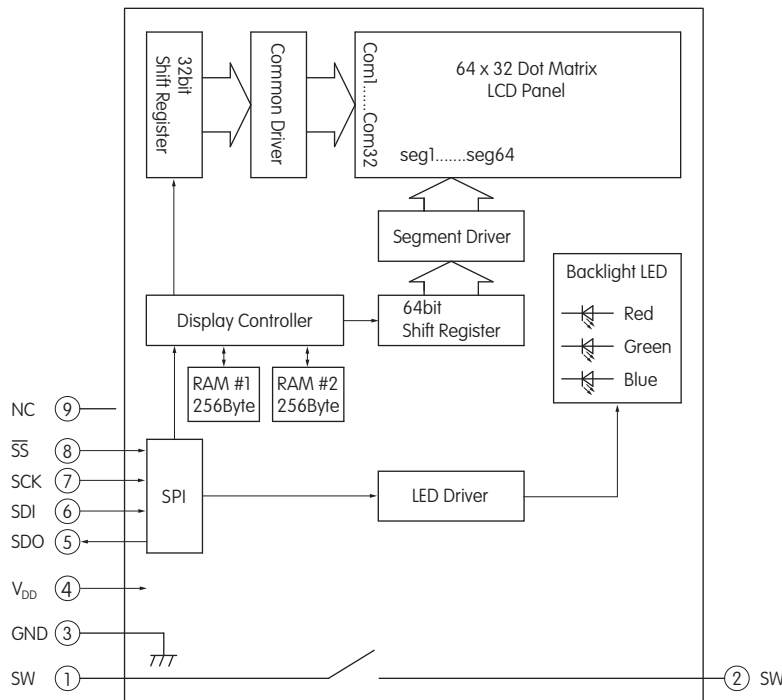
## Recommended Operating Conditions (Temperature at 25°C)

Items	Symbols	Minimum	Typical	Maximum
Supply Voltage	$V_{DD}$	4.9V	5.0V	5.1V
High Level Input Voltage	$V_{IH}$	$0.8 V_{DD}$	—	—
Low Level Input Voltage	$V_{IL}$	—	—	$0.2V_{DD}$
SPI Clock Frequency	$f_{SCK}$	—	—	8MHz
Current Consumption	$I_{DD}$	** 10mA	—	*** 60mA

\*\* 10mA: Backlighting LED is off

\*\*\* 60mA: Backlighting LEDs (Red, Green, Blue) are maximum brightness

## SWITCH BLOCK DIAGRAM & PIN CONFIGURATIONS



Pin No.	Symbol	Name	Function
①	SW	Terminal of Switch	Normally open
②	SW	Terminal of Switch	Normally open
③	GND	Ground	
④	$V_{DD}$	Power	Power source for logic circuit and LCD
⑤	SDO	Data Out	Data output line for SPI
⑥	SDI	Data In	Data input line for SPI
⑦	SCK	Serial Clock	Clock line for SPI that synchronizes commands and data
⑧	$\overline{SS}$	Slave Select	Chip select for SPI; line is active low
⑨	NC	None	No connection

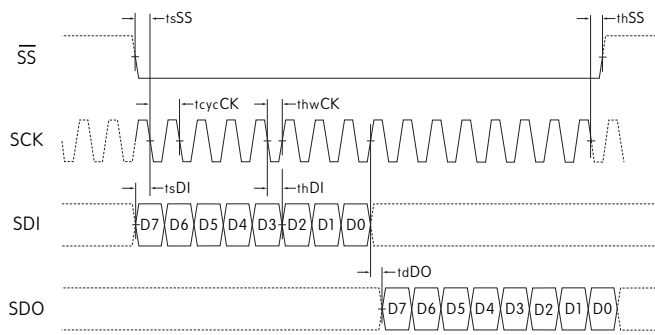
## TIMING SPECIFICATIONS FOR SWITCHES & DISPLAY

### SPI Characteristics (See Timing Diagram)

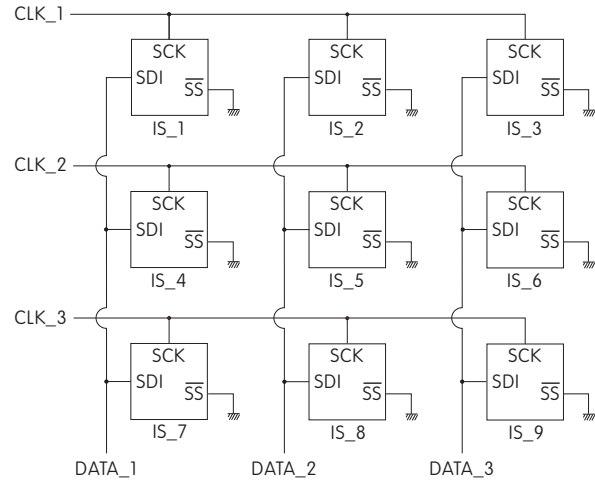
(Temperature at -15°C ~ +50°C and  $V_{DD} = 5.0V \pm 2\%$ )

Items	Symbols	Minimum	Maximum
SPI $\overline{SS}$ Set Up Time	$t_{sSS}$	10ns	
SPI $\overline{SS}$ Hold Time	$t_{hSS}$	10ns	
SPI_CLK Cycle	$t_{cycCK}$		8MHz
SPI_CLK Width	$t_{hwCK}$	10ns	
SPI_DI Set Up Time	$t_{sDI}$	10ns	
SPI_DI Hold Time	$t_{hDI}$	10ns	
SPI_DO Delay Time	$t_{dDO}$	10ns	

SPI Timing Chart ( $\overline{SS}$  Using)

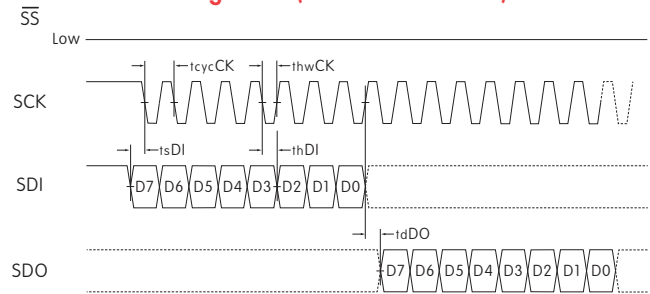


Circuit Example



It is recommended that all  $\overline{SS}$  pins be connected to a controller pin instead of ground. A clock glitch during power up could cause the communication to fall out of sync. Toggling the  $\overline{SS}$  line resets the communication.

SPI Timing Chart ( $\overline{SS}$  Low Level Fixed)



SDI and SCK shall be kept high when idle.

## BITMAP

### Segment

Common	1	2	3	4	5	6	7	8	9	•••	16	•••••	49	•••	56	57	58	59	60	61	62	63	64									
	Byte8								Byte7				Byte2				Byte1															
COM1	D0	D1	D2	D3	D4	D5	D6	D7	D0	•••	D7	•••	D0	•••	D7	D0	D1	D2	D3	D4	D5	D6	D7									
	Byte16																Byte9															
COM2	D0	D1	D2	D3	D4	D5	D6	D7																	D0	D1	D2	D3	D4	D5	D6	D7
•																																
•																																
•																																
	Byte256								•••				•••				Byte249															
COM32	D0	D1	D2	D3	D4	D5	D6	D7																	D0	D1	D2	D3	D4	D5	D6	D7

### Transferring Display Data/Displaying LCD Command and Data Sequence

Command	Data (256 Bytes)																							
0 x 55	Byte1								Byte2 ••• Byte255								Byte256							
0 1 0 1 0 1 0 1	D7	D6	D5	D4	D3	D2	D1	D0	D7	D6	•••	D1	D0	D7	D6	D5	D4	D3	D2	D1	D0			

**Notes:** Display RAM has two screen areas. The first area is for the display on current LCD; the second area is for the data to be displayed next. The screens are changed when the second area is fully stored. Set an interval of 16msec or more from the end of the previous data reception to the start of the next command reception.

## COMMANDS & DATA

- Transferring display data/displaying on LCD: command (1 Byte) + data (256 Bytes)
- Others: command (1 Byte) + data (1 Byte)
- Commands can be accepted only when all bits coincide; otherwise, they are not acknowledged
- Additional commands will not be received until the communication of commands (1 Byte) and data (256 or 1 Byte) is completed
- There is no time limit from the beginning to end of data receipt
- Commands may be executed consecutively (no need to wait between commands), except for display data
- For display data, set an interval of 16msec or more from the end of previous data reception to the start of the next command reception
- Irregular commands or data are not recognized
- Initial status at power activation: LCD display off, LED off (brightness 1/20, color off)

### Transferring Display Data/Displaying on LCD

Command		Data	Remarks
Hex	Binary		
0 x 55	01010101	256 Bytes (64 x 32 = 2,048 bits)	See above for details of bitmap data

### LED (Backlight) Color Set

Command		Data	Remarks
Hex	Binary		
0 x 40	01000000	R R G G B B 1 1 2 bits x 3	For each of RGB: 00 = off                    10 = 1/2 01 = 1/4                   11 = full

### LED (Backlight) Brightness Set

Command		Data	Remarks
Hex	Binary		
0 x 41	01000001	* * * 1 1 1 1 1 3 bits	For leading 3bits: 000 = 1/20 (dark)      100 = 1/3 001 = 1/10              101 = 1/2 010 = 1/7                110 = 2/3 011 = 1/5                111 = full (bright)

### Reset (Returning to Initial Status at Power Activation)

Command		Data	Remarks
Hex	Binary		
0 x 5E	01011110	00000011	Returning to initial status at power activation

Toggles  
 Rockers  
 Pushbuttons  
 Illuminated PB  
 Programmable  
 Keylocks  
 Rotaries  
 Slides  
 Tactiles  
 Tilt  
 Touch  
 Indicators  
 Accessories  
 Supplement

## PRECAUTIONS FOR HANDLING & STORAGE OF LCD 64 x 32 DEVICES

### Handling

1. The IS Series devices are electrostatic sensitive.
2. Limit operating force to keytop to 100.0N maximum, as excessive pressure may damage the LCD device.
3. The IS series devices are not process sealed.
4. If the LCD is accidentally broken, avoid contact with the liquid and wash off any liquid spills to the skin or clothing.
5. Clean cap surface with dry cloth. If further cleaning is needed, wipe with dampened cloth using neutral cleanser and dry with clean cloth. Do not use organic solvent.
6. Recommended soldering time and temperature limits:  
Do not exceed 60°C at the LCD level.  
Wave Soldering: see Profile B in Supplement section.  
Manual Soldering for Switch: see Profile A in Supplement section.  
Manual Soldering for Display: see Profile B in Supplement section.
7. Excessive images may result after the same image is emitted continuously for an extended period of time.
8. The highest backlight brightness level should not be used for temperatures above +35°C.

### Storage

1. Store in original container and away from direct sunlight.
2. Keep away from static electricity.
3. Avoid extreme temperatures, high humidity, gaseous substances, and all forms of chemical contamination.



Toggles

Rockers

Pushbuttons

Illuminated PB

Programmable **E**

Keylocks

Rotaries

Slides

Tactiles

Tilt

Touch

Indicators

Accessories

Supplement

### OPTIONAL ACCESSORIES

#### AT9704-085K Socket for LCD 64 x 32 Pushbutton

Materials:

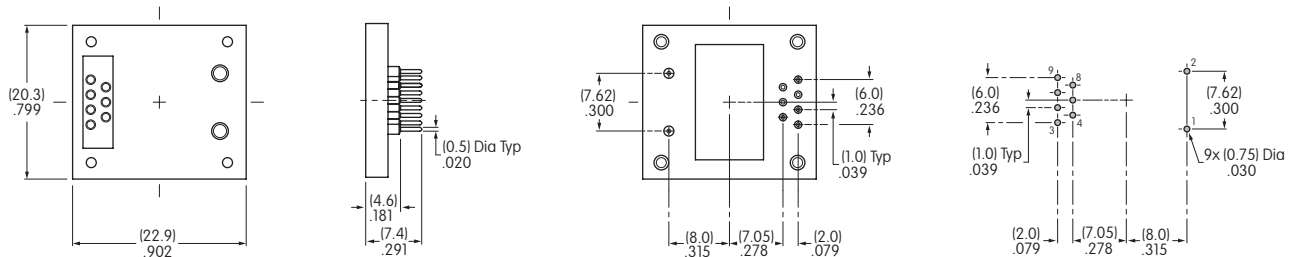
Base - Glass Fiber Reinforced PBT  
Terminals - Brass/Beryllium Copper

Compatible Part Number for AT9704-085K

Long Travel LCD 64 x 32

IS15EBFP4RGB

- The socket permits the switch to be plugged in after automated processing.
- Use of the socket enables easy field replacement of the device.



#### AT9704-085L Socket for OLED Pushbutton

Materials:

Base - Glass Fiber Reinforced PBT  
Terminals - Brass/Beryllium Copper

Compatible Part Numbers for AT9704-085L

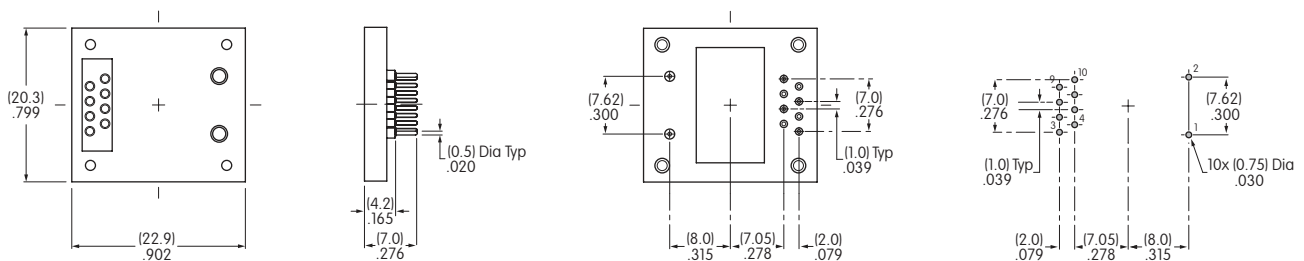
OLED Pushbutton

Frameless OLED

ISC15ANP4

ISF15ACP4

- The socket permits the OLED switch to be plugged in after automated processing.
- Use of the socket enables easy field replacement of the device.



#### AT9704-085M Socket for OLED Display

Materials:

Base - Glass Fiber Reinforced PBT  
Terminals - Brass/Beryllium Copper

Compatible Part Number for AT9704-085M

OLED Display

ISC01P

- The socket permits the OLED display to be plugged in after automated processing.
- Use of the socket enables easy field replacement of the device.

