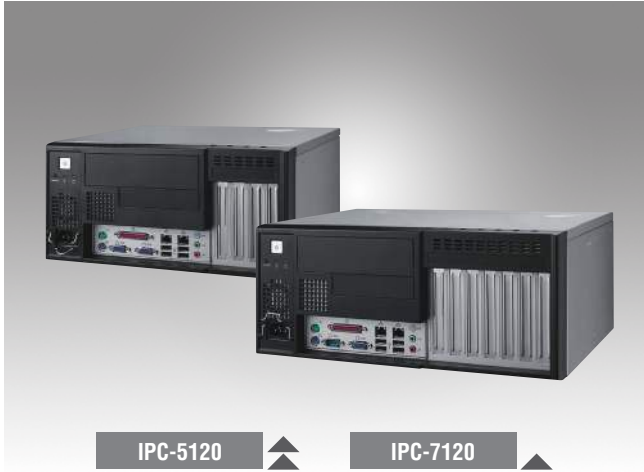


# IPC-5120 / 7120

## Desktop/Wallmount Chassis with front I/O Interfaces for ATX/mATX Motherboard



IPC-5120

IPC-7120

CE FCC

### Features

- With front I/O interface and four to seven expansion slots
- Shockproof drive bay for one 5.25" ODD and two 3.5" HDDs
- LED indicators for power status and HDD activity
- Supports four to seven half-size add-on cards
- Suitable form factor : IPC-5120 for Micro-ATX MB , IPC-7120 for ATX MB
- Low noise PWM controlled

### Specifications

		External	Internal
Drive Bay	5.25"	1	-
	3.5"	1	1
Cooling	Fans	1 (12 cm / 82 CFM) + 1 (4 cm / 11 CFM)	
	Air Filter	Yes	
Miscellaneous	LED Indicators	Power status and HDD activity	
	Control	Power switch and system reset button	
Environment	Temperature	Operating 0 ~ 40 °C (32 ~ 104 °F)	Non-Operating -20 ~ 60 °C (-4 ~ 140 °F)
	Humidity	10 ~ 85% @ 40 °C, non-condensing	
	Vibration (5 ~ 500 Hz)	1 Grms	2 G
	Shock	10 G (with 11 ms duration, half sine wave)	
Physical Characteristics	Dimensions (W x H x D)	IPC-5120: 320 x 164 x 316.5 mm (12.6" x 6.5" x 12.5") IPC-7120: 380 x 164 x 316.5 mm (15" x 6.5" x 12.5")	
	Weight	IPC-5120: 6.54 kg (14.42 lb) IPC-7120: 7.01 kg (15.45 lb)	

### Front View

#### IPC-5120



### Inside View



Easy-to-maintain fan filter



Shock-resistant drive bay for holding an internal 3.5" HDD

#### IPC-7120



Plug ring-lock securely fastens the power cord

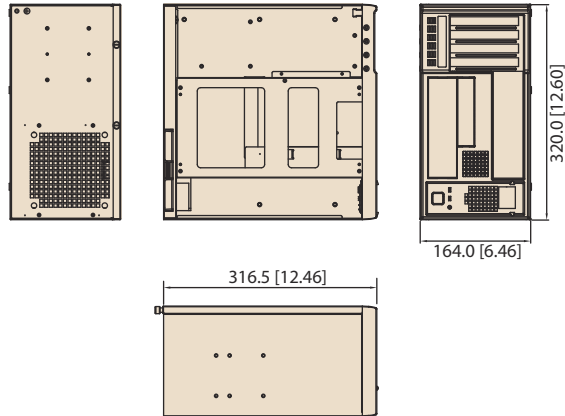


User-friendly mechanical design for installing an add-on card

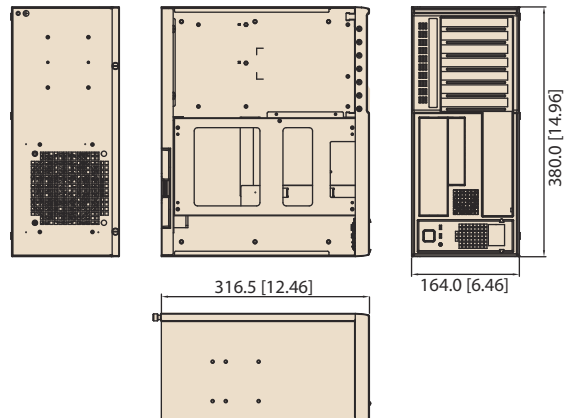
## Dimensions

Unit: mm [inch]

### IPC-5120



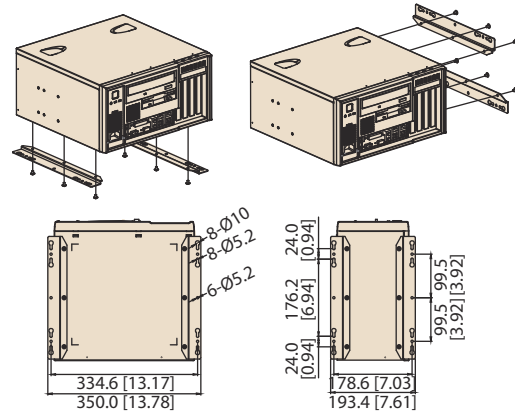
### IPC-7120



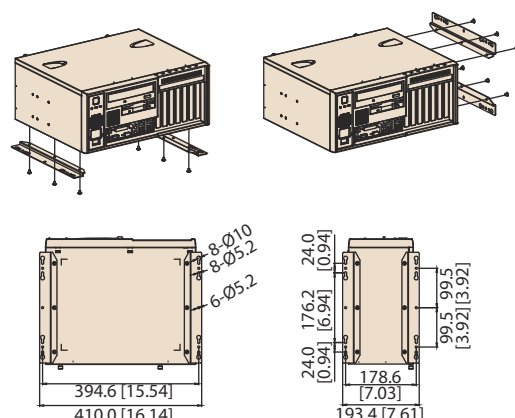
## Installation

Unit: mm [inch]

### IPC-5120



### IPC-7120



## Ordering Information

Part Number	Power Supply	Wattage	Switch
<b>IPC-5120 Series</b>			
IPC-5120-25D	PS8-250FATX-BB	250W	ATX
IPC-5120-35D	PS8-350FATX-GB	350W	ATX
<b>IPC-7120 Series</b>			
IPC-7120-25D	PS8-250FATX-BB	250W	ATX
IPC-7120-35D	PS8-350FATX-GB	350W	ATX

## Power Supply Specification

Part Number	80 Plus Grade	Wattage	Type	Input
PS8-250FATX-BB	Bronze	250W	Single	90 ~ 264 V <sub>AC</sub>
PS8-350FATX-GB	Gold	350W	Single	90 ~ 264 V <sub>AC</sub>