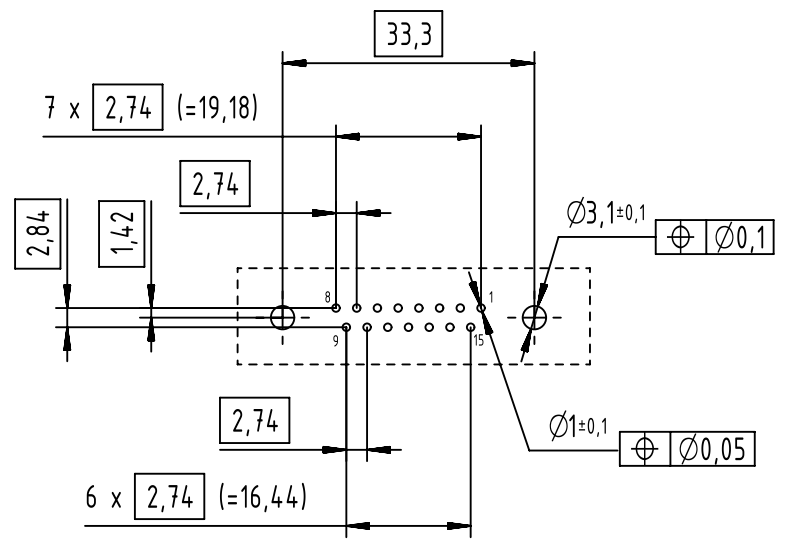
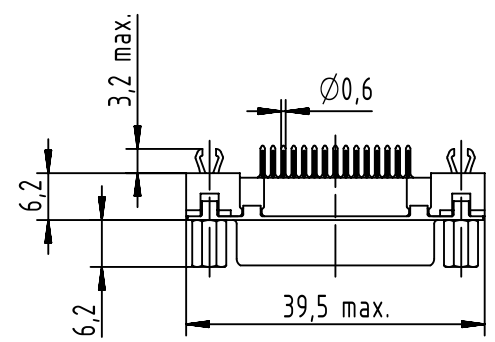
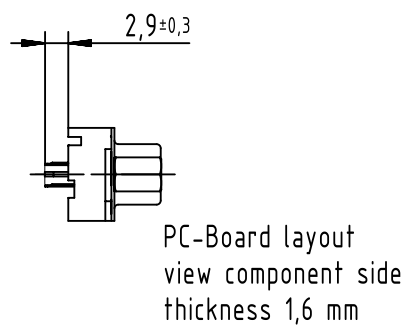
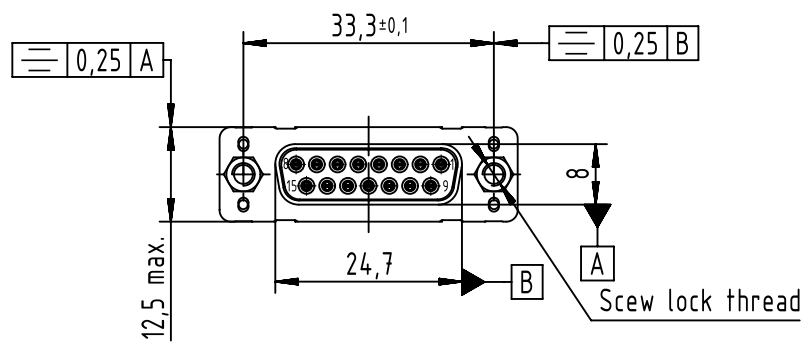


A

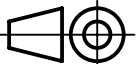

B

C

D



Connection retention and insertion forces on PC-Board: 25 N / 80 N

09662513533	M3	PL1	 All Dimensions in mm Original Size DIN A4	Scale 1:1	Free size tol.		Ref.	
09662516533	M3	PL2		 All rights reserved Department EC PD - FR	Created by SONN	Inspected by BAGDIKIAN	Standardisation HOFFMANN	Date 2014-09-11
09662517533	M3	PL3	HARTING Electronics GmbH D-32339 Espelkamp		Title D-Sub 15-pole Female Straight			Doc-Key / ECM-Nr. 100566511/UGD/001/B 500000079204
09662513513	4-40 UNC	PL1		Type TB	Number 0966251X5X3		Rev. B	Page 1/1
09662516513	4-40 UNC	PL2						
09662517513	4-40 UNC	PL3						
Part number	Scw lock thread	Performance level						