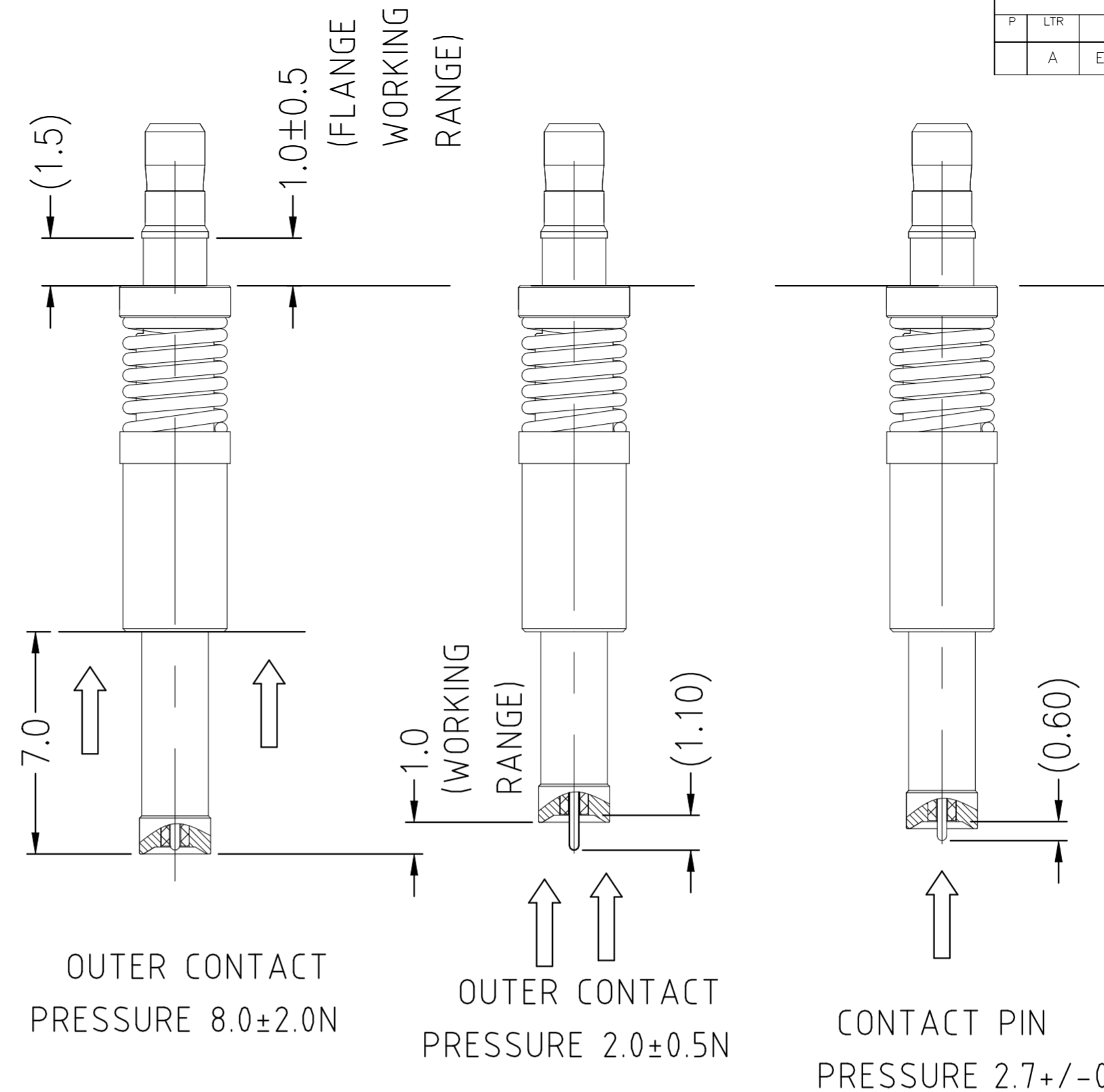
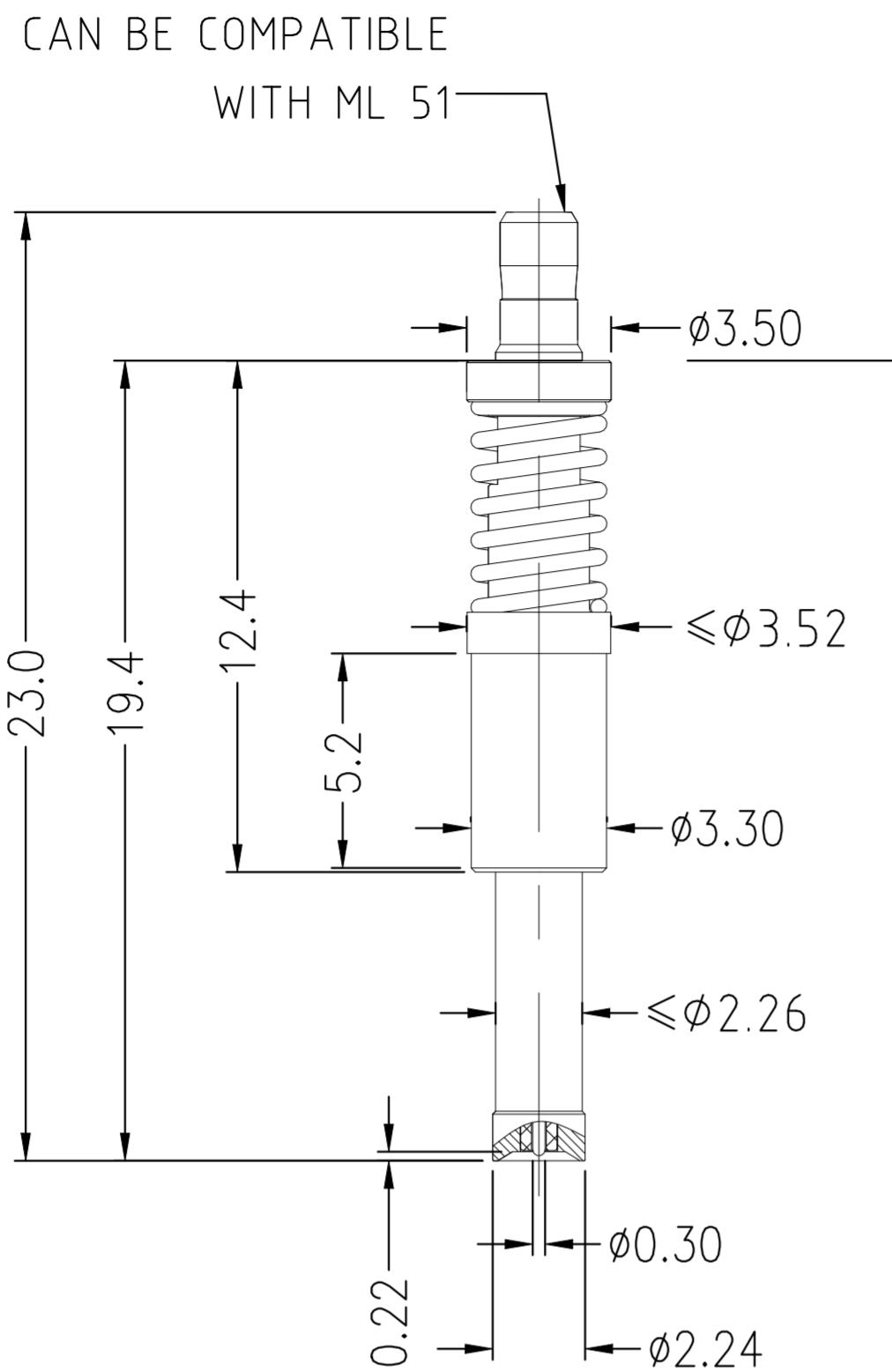


| P | LTR | DESCRIPTION | DATE | DWN | APVD |
|---|-----|---------------|-----------|-----|------|
| A | | ECN-22-152748 | 11MAY2022 | PZ | WKH |



| ELECTRICAL | MECHANICAL | ENVIRONMENTAL |
|---|---|--|
| Impedance (Ohm): <u>50</u> Frequency Range: <u>DC to 9GHz</u> Voltage Rating (Peak) @ Sea Level <u>170 V RMS</u> Insulation Resistance (MIN.) <u>500 M ohms</u> Contact Resistance (mohms MAX) Center Contact <u>50</u> Outer Contact <u>20</u> Dielectric Withstand Voltage: <u>500 V RMS Max</u> Insertion Loss :<0.6 dB @0-6GHz <0.8 dB @6-9GHz VSWR: <u>1.3 max @ DC~6GHz</u> <u>1.5 max @ 6GHz~9GHz</u> | Interface Dimension <u>IV SWITCH</u> Force to Engage and Disengage Engage: <u>N/A</u> Disengage: <u>N/A</u> CONDUCTOR ELASTICITY: FLANGE ELASTICITY(PRESS 1.0±0.5mm) <u>600gf~1000gf</u> OUTER CONDUCTOR ELASTICITY(PRESS 1.0±0.05mm) <u>150gf~250gf</u> INNER CONDUCTOR ELASTICITY(PRESS 0.6±0.05mm) <u>230gf~310gf</u> Cable Retention Axial (Lbs) <u>N/A</u> Mating cycles <u>10000 cycles (IV SWITCH)</u> | TEMPERATURE RANGE <u>-40 °C~+85 °C</u> ROHS <u>COMPLIANT</u> |

| | | | |
|------------------|-------------|------------------|-----------------------|
| 2408018-1 | SPRING | STAINLESS STEEL | PASSIVATION |
| | CONTACT PIN | BERYLLIUM COPPER | PL.GOLD/NICKEL/COPPER |
| | INSULATOR | PTFE MIL-P-19468 | N/A |
| | BODY | STAINLESS STEEL | PASSIVATION |
| | PART NUMBER | MATERIAL | PLATING |

| | | | | |
|--|--|--|-----------|------------------------------------|
| THIS DRAWING IS A CONTROLLED DOCUMENT. | | DWN | 18FEB2022 | TE TE Connectivity |
| | | CHK | 18FEB2022 | |
| | | APVD | 18FEB2022 | |
| | | PRODUCT SPEC | | |
| DIMENSIONS: mm | | TOLERANCES UNLESS OTHERWISE SPECIFIED: | | NAME |
| | | 0 PLC | ± - | TEST PROBE FOR RF SWITCH 4 ADAPTOR |
| | | 1 PLC | ± 0.3 | |
| | | 2 PLC | ± 0.2 | |
| | | 3 PLC | ± 0.1 | |
| MATERIAL | | FINISH | WEIGHT | SIZE |
| | | | | CAGE CODE |
| | | | | DRAWING NO |
| | | | | RESTRICTED TO |
| | | | | SCALE |
| | | | | SHEET |
| | | | | REV |
| | | | | |