

280513 ✓ ACTIVE

AMPMODU | AMPMODU IV/V

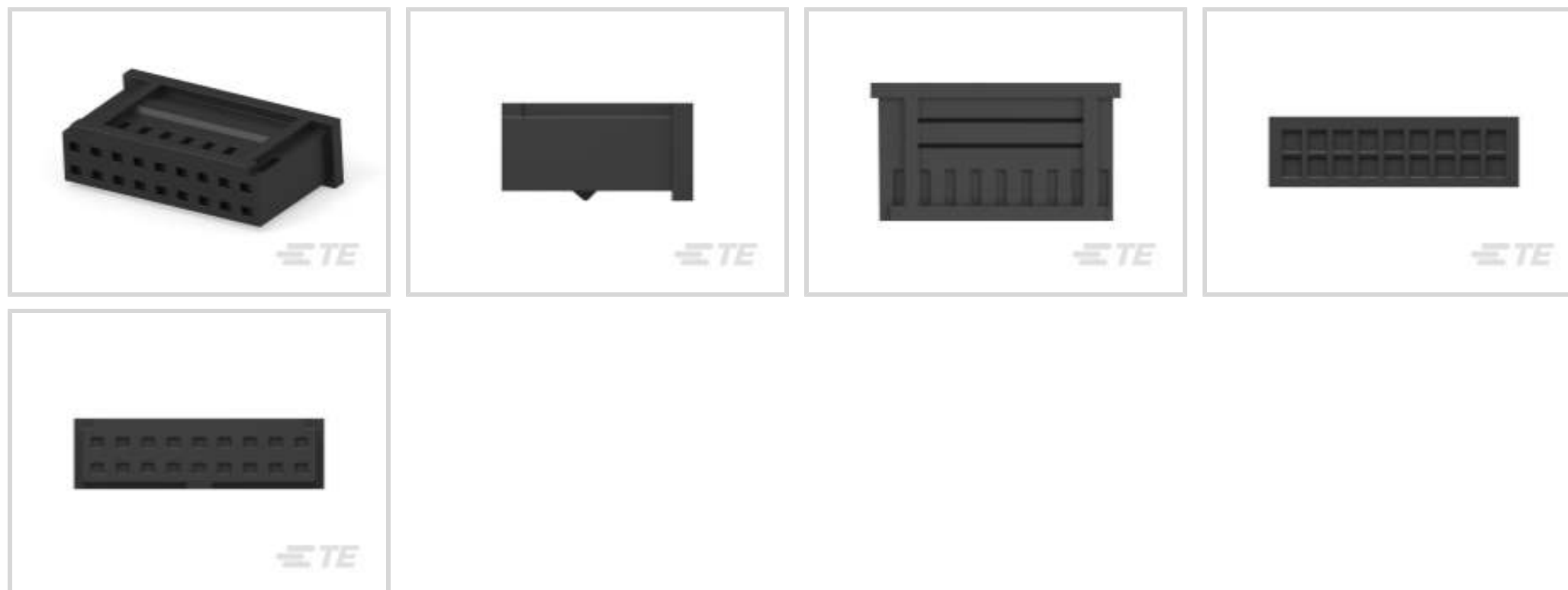
TE Internal #: 280513

Housing, Receptacle, Wire-to-Board, 18 Position, .1 in [2.54 mm]
Centerline, Crimp, 2 Row, Black, Mating Retention, Wire & Cable,
Signal, AMPMODU IV/V

[View on TE.com >](#)



Connectors > PCB Connectors > Wire-to-Board Connectors > Wire-to-Board Connector Assemblies & Housings



Connector Product Type: **Housing**

Connector & Housing Type: **Receptacle**

Connector System: **Wire-to-Board**

Number of Positions: **18**

Centerline (Pitch): **2.54 mm [.1 in]**

Features

Product Type Features

| | |
|-----------------------------------|---------------|
| Connector Product Type | Housing |
| Connector & Housing Type | Receptacle |
| Connector System | Wire-to-Board |
| Connector & Contact Terminates To | Wire & Cable |

Configuration Features

| | |
|---------------------|----|
| Number of Positions | 18 |
| Number of Rows | 2 |

Body Features

| | |
|-----------------------|-------|
| Primary Product Color | Black |
|-----------------------|-------|

Contact Features

| | |
|------------------------------|--------|
| Contact Layout | Inline |
| Contact Type | Socket |
| Contact Current Rating (Max) | 3 A |



Termination Features

| | |
|------------------------------------|-------|
| Termination Method to Wire & Cable | Crimp |
|------------------------------------|-------|

Mechanical Attachment

| | |
|-------------------------|----------------------------|
| Panel Mount Feature | Without |
| PCB Mount Retention | Without |
| Mating Retention Type | Detent Latching |
| Mating Retention | With |
| Connector Mounting Type | Cable Mount (Free-Hanging) |

Housing Features

| | |
|-----------------------------|------------------------------|
| Housing Entry Configuration | Both Ends Closed |
| Housing Material | LCP (Liquid Crystal Polymer) |
| Centerline (Pitch) | 2.54 mm[.1 in] |

Dimensions

| | |
|--------------------|----------------|
| Connector Length | 7.1 mm |
| Connector Height | 3.1 mm[.12 in] |
| Row-to-Row Spacing | 2.54 mm[.1 in] |

Usage Conditions

| | |
|-----------------------------|---------------------------|
| Operating Temperature Range | -40 – 80 °C[-40 – 176 °F] |
|-----------------------------|---------------------------|

Operation/Application

| | |
|---------------------|--------|
| Circuit Application | Signal |
|---------------------|--------|

Industry Standards

| | |
|------------------------|-------------------------------|
| Glow Wire Rating | Standard Part - Not Glow Wire |
| UL Flammability Rating | UL 94V-0 |

Packaging Features

| | |
|--------------------|------|
| Packaging Quantity | 1000 |
| Packaging Method | Bag |

Product Compliance

[For compliance documentation, visit the product page on TE.com>](#)

| | |
|---|---|
| EU RoHS Directive 2011/65/EU | Compliant |
| EU ELV Directive 2000/53/EC | Compliant |
| China RoHS 2 Directive MIIT Order No 32, 2016 | No Restricted Materials Above Threshold |



EU REACH Regulation (EC) No. 1907/2006

Current ECHA Candidate List: JUNE 2023 (235)

Candidate List Declared Against: JUNE 2023 (235)

Does not contain REACH SVHC

Halogen Content

Low Halogen - Br, Cl, F, I < 900 ppm per homogenous material. Also BFR/CFR/PVC Free

Solder Process Capability

Not applicable for solder process capability

Product Compliance Disclaimer

This information is provided based on reasonable inquiry of our suppliers and represents our current actual knowledge based on the information they provided. This information is subject to change. The part numbers that TE has identified as EU RoHS compliant have a maximum concentration of 0.1% by weight in homogenous materials for lead, hexavalent chromium, mercury, PBB, PBDE, DBP, BBP, DEHP, DIBP, and 0.01% for cadmium, or qualify for an exemption to these limits as defined in the Annexes of Directive 2011/65/EU (RoHS2). Finished electrical and electronic equipment products will be CE marked as required by Directive 2011/65/EU. Components may not be CE marked. Additionally, the part numbers that TE has identified as EU ELV compliant have a maximum concentration of 0.1% by weight in homogenous materials for lead, hexavalent chromium, and mercury, and 0.01% for cadmium, or qualify for an exemption to these limits as defined in the Annexes of Directive 2000/53/EC (ELV). Regarding the REACH Regulation, the information TE provides on SVHC in articles for this part number is based on the latest European Chemicals Agency (ECHA) 'Guidance on requirements for substances in articles' posted at this URL: <https://echa.europa.eu/guidance-documents/guidance-on-reach>

Compatible Parts

TE Part # 280509-2
18 POS .100DR MODU-

TE Part # 87077-2
MOD IV KEYING PLUG

TE Part # 181270-1
AMP-MODU CONTACT

TE Part # 280509-1
BARRE MODU 2 2X 9

TE Part # 181270-2
MOD II CONTACT L.P.

TE Part # 181270-3
MOD 2 BUCHSE

TE Part # 280530-4
MOD2 BUCHSE

TE Part # 280530-2
AMP MODU MOD 2 CONT



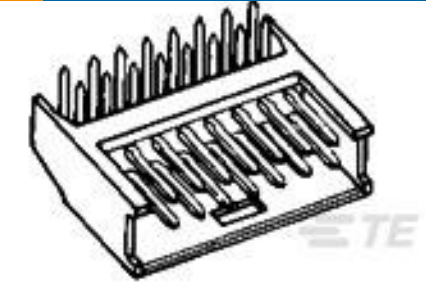

TE Part # 281556-2
20AWG MOD 2 CRIMP TIN PLATE



TE Part # 280530-1
MOD II COSI RECP CONT STR PH-B



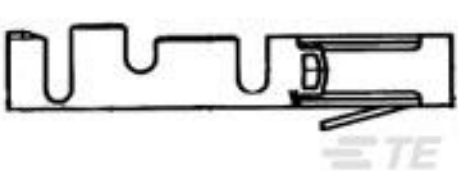
TE Part # 280708-2
MOD 2 CONTACT



TE Part # 280510-2
2X9P MODU II SHRD HDR, RT ANG, AU



TE Part # 280530-3
MOD II COSI RECP CONT STR PRE



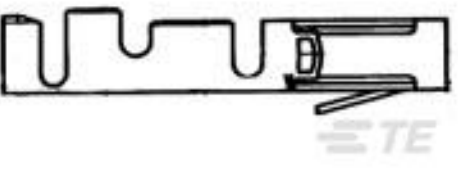
TE Part # 182207-2
AMP MODU II RCPT CONT COSI LP




TE Part # 182206-2
MOD 2 TERMINAL



TE Part # 181271-2
MOD 2 CONTACT REC.




TE Part # 281999-1
MODU II RCPT STD PR COSI

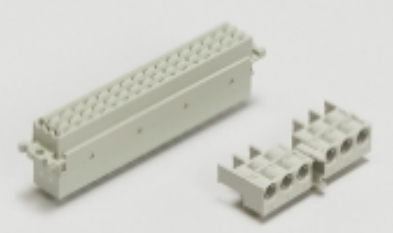


TE Part # 280510-1
2X9P MODU II SHRD HDR, RT ANG, TIN


Also in the Series | **AMPMODU IV/V**




Automotive Housings(2)




Backplane Connector Housings(1)



Board-to-Board Connector Contacts(6)




Connector Strain Relief(3)



Insertion & Extraction Tools(4)



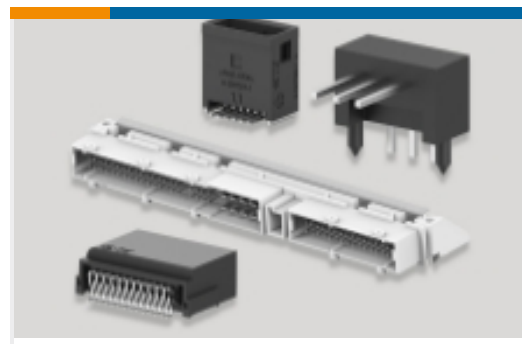
PCB Connector Covers(18)



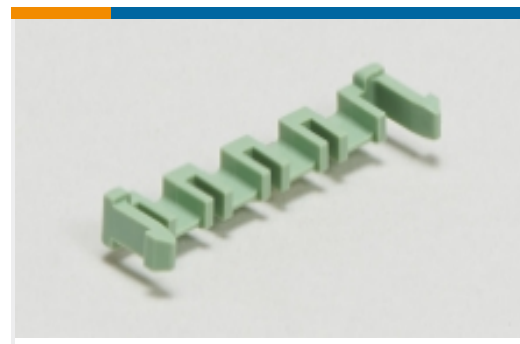
PCB Connector Keying(6)



PCB Connector Mounting(1)



PCB Headers & Receptacles(934)



PCB Latches, Locks & Retainers(7)



Rectangular Connector Housings(5)



Standard Rectangular Connectors(8)



Wire-to-Board Connector Assemblies & Housings(447)

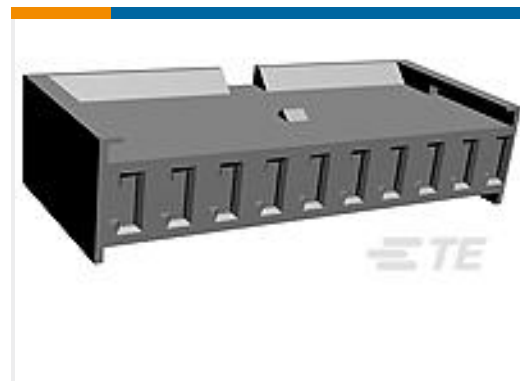


Wire-to-Board Connector Contacts (322)

Customers Also Bought



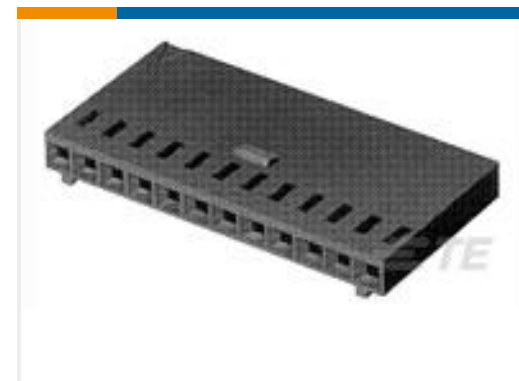
TE Part #1-86561-0
FFC,PIN CONTACT,LP,ROUND WIRE,



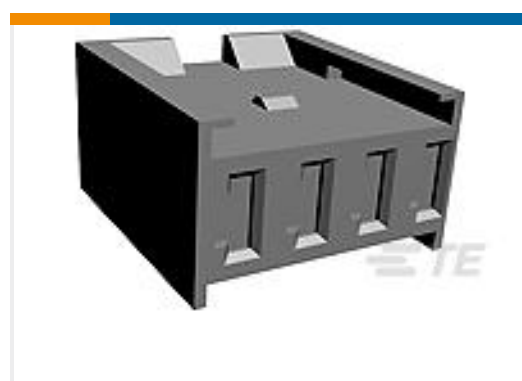
TE Part #280594
AMP MODU MOD I RECEPT HSG



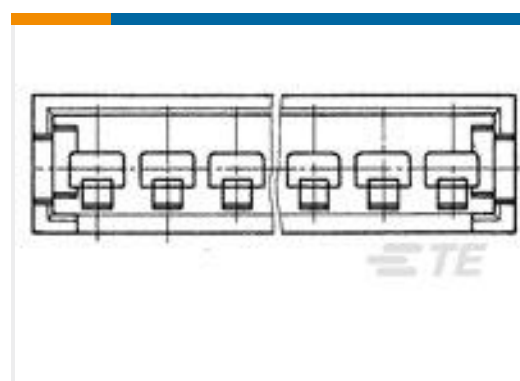
TE Part #280593
AMP MODU MOD I RECEPT HSG



TE Part #280360
AMPMODU II REC. HSG, SINGLE ROW 6 POS



TE Part #280591
AMPMODU MODU I REC HOUSING



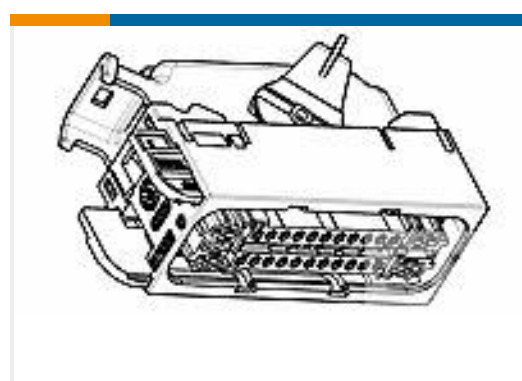
TE Part #280628
AMPMODU II COSI PIN HSG, SGL ROW, 2 POS.



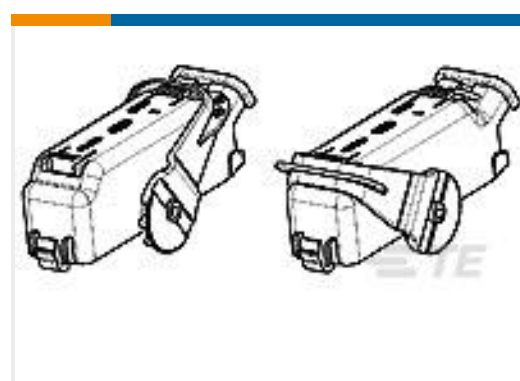
TE Part #280595
AMP MODU MOD I RECEPT HSG



TE Part #2035334-4
Contact,female0.64, 18 AWG



TE Part #1-1379208-1
26W ASSY RECEPTACLE HSG



TE Part #1379209-2
26W COVER ASSEMBLY

Documents



Product Drawings

AMPMODU II REC. HSG, DUAL ROW, 18 POS

English

CAD Files

3D PDF

3D

Customer View Model

[ENG_CVM_CVM_280513_AA.2d_dxf.zip](#)

English

Customer View Model

[ENG_CVM_CVM_280513_AA.3d_igs.zip](#)

English

Customer View Model

[ENG_CVM_CVM_280513_AA.3d_stp.zip](#)

English

By downloading the CAD file I accept and agree to the [Terms and Conditions](#) of use.

Product Environmental Compliance

TE Material Declaration

English