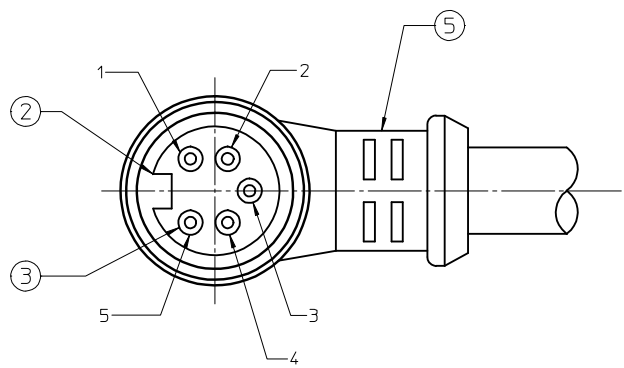
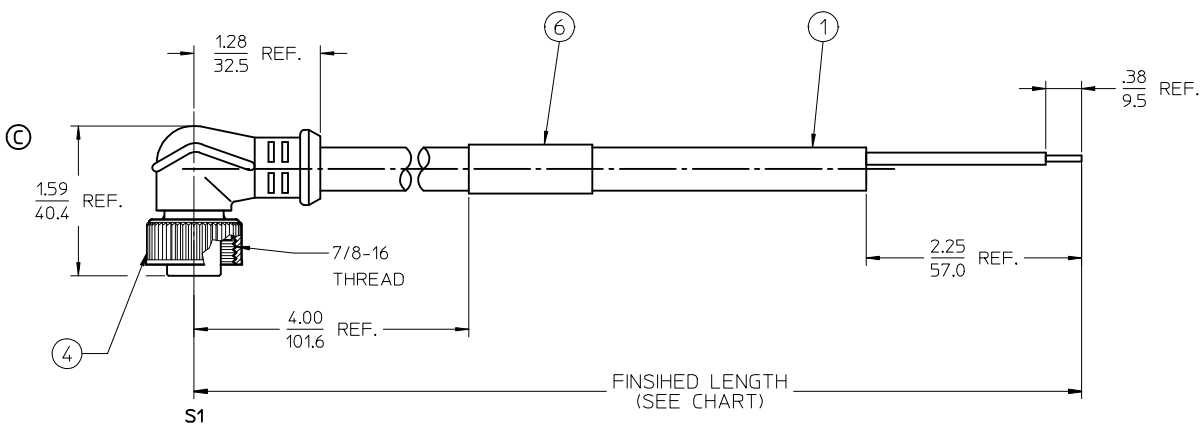


MATERIAL NO.	ENGINEERING NO.	FINISHED LENGTH
1300068135	105001B21M050	16'5" +6.50"-0 (5M +165.1mm-0)
1300068136	105001B21M100	32'10" +12.50"-0 (10M +317.5mm-0)
1300068137	105001B21M200	65'7" +24.50"-0 (20M +622.3mm-0)
1300068138	105001B21M300	98'5" +24.50"-0 (30M +622.3mm-0)
1300068150	105001B21M020	6'7" +3.50"-0 (2M +88.9mm-0)
1300068220	105001B21M015	4'11" +2.19"-0 (1.5M +55.6mm-0)



FEMALE FACE VIEW
SCALE: 2X

S1	
1	BLACK
2	BLUE
3	GREEN/YELLOW
4	BROWN
5	WHITE

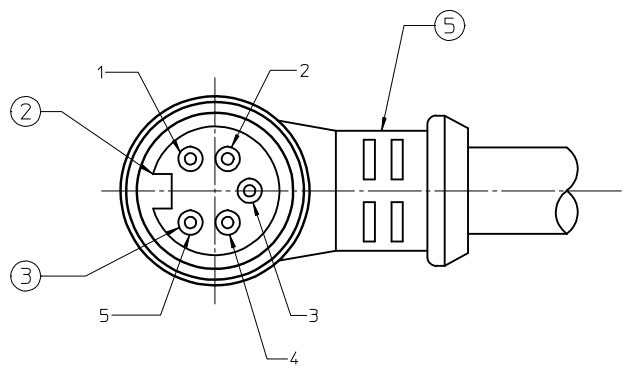
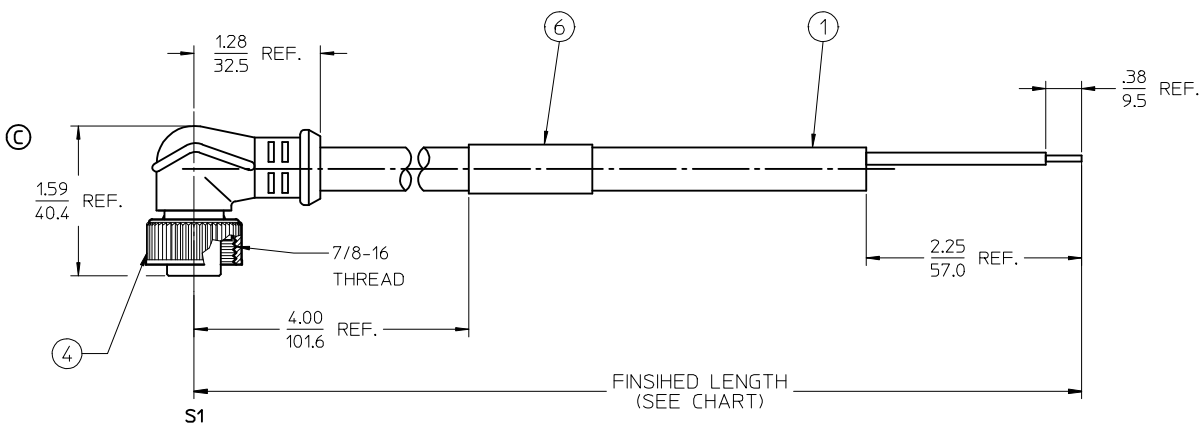
WIRING DIAGRAM

- NOTES:
1. MATERIAL: SEE TABLE
 2. FINISHES: SEE TABLE
 3. ELECTRICAL SPECIFICATIONS
VOLTAGE RATING: 300V AC/DC
CURRENT RATING: 8 AMPS
 4. PROTECTION: IP67
 5. ASSEMBLY IS RoHS COMPLIANT BY EXEMPTION

6	1	WRAP LABEL	MYLAR	BLACK/YELLOW
5	1	OVERMOLD	PUR	BLACK
4	1	COUPLING RING-INT THREAD	ZINC DIE-CAST	BLACK
3	5	CONTACT SOCKET	Cu ALLOY	GOLD PLATED
2	1	INSERT, 5P	PUR	BLACK
1	A/R	CABLE 5/C, 1.5mm ² (16 AWG)	PUR JACKET	GRAY
ITEM	QTY.	DESCRIPTION	MATERIAL	FINISH

ADDED 1300068220 EC NO: IPGZ016-0209 DRAWINGGUSTAFSON 2015/08/05 CHKDRSTONE 2015/10/09 APPR:	QUALITY SYMBOLS ▼=0 ▽=0	GENERAL TOLERANCES (UNLESS SPECIFIED) <table border="1"> <thead> <tr> <th></th> <th>mm</th> <th>INCH</th> </tr> </thead> <tbody> <tr> <td>4 PLACES</td> <td>± .005</td> <td>± .0005</td> </tr> <tr> <td>3 PLACES</td> <td>± .005</td> <td>± .0005</td> </tr> <tr> <td>2 PLACES</td> <td>± .005</td> <td>± .0005</td> </tr> <tr> <td>1 PLACE</td> <td>± 0.3</td> <td>± .012</td> </tr> <tr> <td>0 PLACE</td> <td>± .005</td> <td>± .0005</td> </tr> </tbody> </table>		mm	INCH	4 PLACES	± .005	± .0005	3 PLACES	± .005	± .0005	2 PLACES	± .005	± .0005	1 PLACE	± 0.3	± .012	0 PLACE	± .005	± .0005	DIMENSION STYLE IN/MM	SCALE 1:1	DESIGN UNITS INCH	THIRD ANGLE PROJECTION
		mm	INCH																					
	4 PLACES	± .005	± .0005																					
	3 PLACES	± .005	± .0005																					
2 PLACES	± .005	± .0005																						
1 PLACE	± 0.3	± .012																						
0 PLACE	± .005	± .0005																						
DRAWN BY RSTONE	DATE 2012/11/12	TITLE MINI CHANGE CABLE ASSY. 5P FP 90 DEGREE 1.5MM ² (16 AWG) PUR																						
CHECKED BY K JOZWIK	DATE 2012/11/26	APPROVED BY JFMURPHY																						
DATE 2012/12/18	MATERIAL NO. SEE CHART	DOCUMENT NO. SD-130006-044	SHEET NO. 1 OF 1	THIS DRAWING CONTAINS INFORMATION THAT IS PROPRIETARY TO MOLEX INCORPORATED AND SHOULD NOT BE USED WITHOUT WRITTEN PERMISSION																				

MATERIAL NO.	ENGINEERING NO.	FINISHED LENGTH
1300068135	105001B21M050	16'5" +6.50"-0 (5M +165.1mm-0)
1300068136	105001B21M100	32'10" +12.50"-0 (10M +317.5mm-0)
1300068137	105001B21M200	65'7" +24.50"-0 (20M +622.3mm-0)
1300068138	105001B21M300	98'5" +24.50"-0 (30M +622.3mm-0)
1300068150	105001B21M020	6'7" +3.50"-0 (2M +88.9mm-0)
1300068220	105001B21M015	4'11" +2.19"-0 (1.5M +55.6mm-0)



S1

1	BLACK
2	BLUE
3	GREEN/YELLOW
4	BROWN
5	WHITE

WIRING DIAGRAM

- NOTES:
1. MATERIAL: SEE TABLE
 2. FINISHES: SEE TABLE
 3. ELECTRICAL SPECIFICATIONS
VOLTAGE RATING: 300V AC/DC
CURRENT RATING: 8 AMPS
 4. PROTECTION: IP67
 5. ASSEMBLY IS RoHS COMPLIANT BY EXEMPTION

FEMALE FACE VIEW
SCALE: 2X

6	1	WRAP LABEL	MYLAR	BLACK/YELLOW
5	1	OVERMOLD	PUR	BLACK
4	1	COUPLING RING-INT THREAD	ZINC DIE-CAST	BLACK
3	5	CONTACT SOCKET	Cu ALLOY	GOLD PLATED
2	1	INSERT, 5P	PUR	BLACK
1	A/R	CABLE 5/C, 1.5mm ² (16 AWG)	PUR JACKET	GRAY
ITEM	QTY.	DESCRIPTION	MATERIAL	FINISH

ADDED 1300068220 EC NO: IPGZ016-0209 DRWINGGUSTAFSON 2015/08/05 CHKDRSTONE 2015/10/09 APPR:	QUALITY SYMBOLS	GENERAL TOLERANCES (UNLESS SPECIFIED)	DIMENSION STYLE IN/MM	SCALE 1:1	DESIGN UNITS INCH	THIRD ANGLE PROJECTION																														
	▼=0 ▽=0	<table border="1"> <thead> <tr> <th></th> <th>mm</th> <th>INCH</th> </tr> </thead> <tbody> <tr> <td>4 PLACES</td> <td>± .005</td> <td>± .0004</td> </tr> <tr> <td>3 PLACES</td> <td>± .005</td> <td>± .0004</td> </tr> <tr> <td>2 PLACES</td> <td>± .005</td> <td>± .0004</td> </tr> <tr> <td>1 PLACE</td> <td>± 0.3</td> <td>± .012</td> </tr> <tr> <td>0 PLACE</td> <td>± .005</td> <td>± .0004</td> </tr> </tbody> </table>		mm	INCH	4 PLACES	± .005	± .0004	3 PLACES	± .005	± .0004	2 PLACES	± .005	± .0004	1 PLACE	± 0.3	± .012	0 PLACE	± .005	± .0004	<table border="1"> <thead> <tr> <th>DRAWN BY</th> <th>DATE</th> </tr> </thead> <tbody> <tr> <td>RSTONE</td> <td>2012/11/12</td> </tr> <tr> <th>CHECKED BY</th> <th>DATE</th> </tr> <tr> <td>K JOZWIK</td> <td>2012/11/26</td> </tr> <tr> <th>APPROVED BY</th> <th>DATE</th> </tr> <tr> <td>JFMURPHY</td> <td>2012/12/18</td> </tr> </tbody> </table>	DRAWN BY	DATE	RSTONE	2012/11/12	CHECKED BY	DATE	K JOZWIK	2012/11/26	APPROVED BY	DATE	JFMURPHY	2012/12/18	TITLE MINI CHANGE CABLE ASSY. 5P FP 90 DEGREE 1.5MM ² (16 AWG) PUR molex		
		mm	INCH																																	
	4 PLACES	± .005	± .0004																																	
3 PLACES	± .005	± .0004																																		
2 PLACES	± .005	± .0004																																		
1 PLACE	± 0.3	± .012																																		
0 PLACE	± .005	± .0004																																		
DRAWN BY	DATE																																			
RSTONE	2012/11/12																																			
CHECKED BY	DATE																																			
K JOZWIK	2012/11/26																																			
APPROVED BY	DATE																																			
JFMURPHY	2012/12/18																																			
DRAFT WHERE APPLICABLE MUST REMAIN WITHIN DIMENSIONS	MATERIAL NO. SEE CHART	DOCUMENT NO. SD-130006-044	SHEET NO. 1 OF 1																																	