

1-2141272-1 ✓ ACTIVE

HVA 630

TE Internal #: 1-2141272-1

PCB Mount Header, Vertical, Wire-to-Panel / Wire-to-Board, 2

Position, 9.4 mm [.37 in] Centerline, Fully Shrouded, Silver, HVA 630

[View on TE.com >](#)



Connectors > PCB Connectors > PCB Headers & Receptacles > High-Voltage Header



Connector System: **Wire-to-Board, Wire-to-Panel**

Number of Positions: **2**

Centerline (Pitch): **9.4 mm [.37 in]**

Sealable: **Yes**

PCB Mount Orientation: **Vertical**

[All High-Voltage Header \(34\)](#)

## Features

### Product Type Features

Hybrid Header	Yes
Connector Shape	Rectangular
PCB Connector Assembly Type	PCB Mount Header
Header Type	Fully Shrouded
Connector System	Wire-to-Board, Wire-to-Panel
Sealable	Yes
Connector & Contact Terminates To	Printed Circuit Board

### Configuration Features

Number of Sections	1
Number of Signal Positions	2
Number of Positions	2
PCB Mount Orientation	Vertical
Number of Rows	1



### Electrical Characteristics

Nominal Voltage Architecture	850 V
Operating Voltage	850 VAC

### Body Features

Primary Product Color	Orange
Connector & Keying Code	A

### Contact Features

Contact Size	6.3mm
Contact Type	Tab
Mating Tab Width	6.3 mm[.248 in]
Mating Tab Thickness	.8 mm[.031 in]
Contact Mating Area Plating Material	Silver
Contact Current Rating (Max)	54 A

### Termination Features

Termination Method to Printed Circuit Board	Through Hole - Press-Fit
---	--------------------------

### Mechanical Attachment

Mounting Holes	With
Mating Retention	With
Mating Alignment	With
PCB Mount Alignment	Without
PCB Mount Retention	Without
Mating Retention Type	Locking Interface
Connector Mounting Type	Panel Mount

### Housing Features

Centerline (Pitch)	9.4 mm[.37 in]
--------------------	----------------

### Dimensions

Connector Length	50 mm[1.968 in]
Connector Width	50 mm[1.968 in]
PCB Thickness (Recommended)	6.3 mm[.248 in]

### Usage Conditions

Operating Temperature (Max)	65 °C, 70 °C, 75 °C, 80 °C, 85 °C, 90 °C, 100 °C, 105 °C, 110 °C, 120 °C, 125 °C, 130 °C, 140 °C[149 °F][158 °F][167 °F][176 °F][185 °F]
-----------------------------	--



[194 °F][212 °F][221 °F][230 °F][248 °F][257 °F][266 °F][284 °F]

Operating Temperature Range

-40 – 140 °C[-40 – 284 °F]

### Operation/Application

Shielded

Yes

Circuit Application

Power

### Industry Standards

Degree of Protection

IP6K9K

UL Flammability Rating

UL 94HB

### Packaging Features

Packaging Type

Tray

Packaging Quantity

40

### Product Compliance

[For compliance documentation, visit the product page on TE.com>](#)

EU RoHS Directive 2011/65/EU

Compliant

EU ELV Directive 2000/53/EC

Compliant

China RoHS 2 Directive MIIT Order No 32, 2016

No Restricted Materials Above Threshold

EU REACH Regulation (EC) No. 1907/2006

Current ECHA Candidate List: JUNE 2023 (235)  
Candidate List Declared Against: JUL 2021 (219)  
Does not contain REACH SVHC

Halogen Content

Low Halogen - Br, Cl, F, I < 900 ppm per homogenous material. Also BFR/CFR/PVC Free

Solder Process Capability

Not reviewed for solder process capability

#### Product Compliance Disclaimer

This information is provided based on reasonable inquiry of our suppliers and represents our current actual knowledge based on the information they provided. This information is subject to change. The part numbers that TE has identified as EU RoHS compliant have a maximum concentration of 0.1% by weight in homogenous materials for lead, hexavalent chromium, mercury, PBB, PBDE, DBP, BBP, DEHP, DIBP, and 0.01% for cadmium, or qualify for an exemption to these limits as defined in the Annexes of Directive 2011/65/EU (RoHS2). Finished electrical and electronic equipment products will be CE marked as required by Directive 2011/65/EU. Components may not be CE marked. Additionally, the part numbers that TE has identified as EU ELV compliant have a maximum concentration of 0.1% by weight in homogenous materials for lead, hexavalent chromium, and mercury, and 0.01% for cadmium, or qualify for an exemption to these limits as defined in the Annexes of Directive 2000/53/EC (ELV). Regarding the REACH Regulation, the information TE provides on SVHC in articles for this part number is based on the latest European Chemicals Agency (ECHA) 'Guidance on requirements for substances in articles' posted at this URL: <https://echa.europa.eu/guidance-documents/guidance-on-reach>



### Compatible Parts



TE Part # YHVA630-2PHM-6MM-A  
HVA630-2phm,6sqmm,Key A



TE Part # CAT-M4595-T273  
MCON Receptacle and Tab



TE Part # 1-2141256-1  
2POS,AMP MCP6.3/4.8K,REC HSG,  
COD.A,ASSY



TE Part # 2141256-1  
2POS,AMP MCP6.3/4.8K,REC HSG,  
ASSY



TE Part # YHVA630-2PHM-4MM-A  
HVA630-2phm,4sqmm,Key A

### Also in the Series | HVA 630



Automotive Connector Caps & Covers  
(9)



Automotive Connector EMC Shielding  
(2)



Automotive Housings(13)



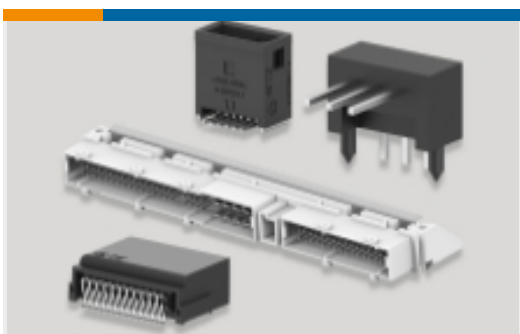
Connector Seals & Cavity Plugs(7)



High Voltage Wire Processing  
Equipment(14)

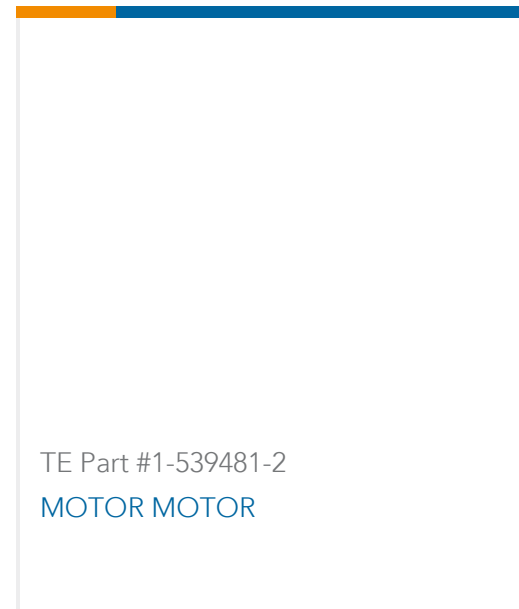
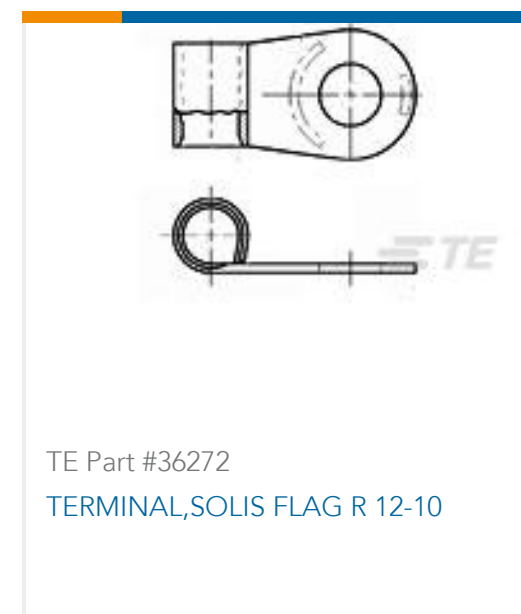


Other Automotive Connector  
Accessories(3)



PCB Headers & Receptacles(1)

### Customers Also Bought



## Documents

### Product Drawings

2POS, MIXED,HEADER ASSY,CODA

English

### CAD Files

3D PDF

3D

Customer View Model

[ENG\\_CVM\\_CVM\\_1-2141272-1\\_B.2d\\_dxf.zip](#)

English

Customer View Model

[ENG\\_CVM\\_CVM\\_1-2141272-1\\_B.3d\\_igs.zip](#)

English

Customer View Model

[ENG\\_CVM\\_CVM\\_1-2141272-1\\_B.3d\\_stp.zip](#)

English

By downloading the CAD file I accept and agree to the [Terms and Conditions](#) of use.

### Product Specifications

Application Specification

English