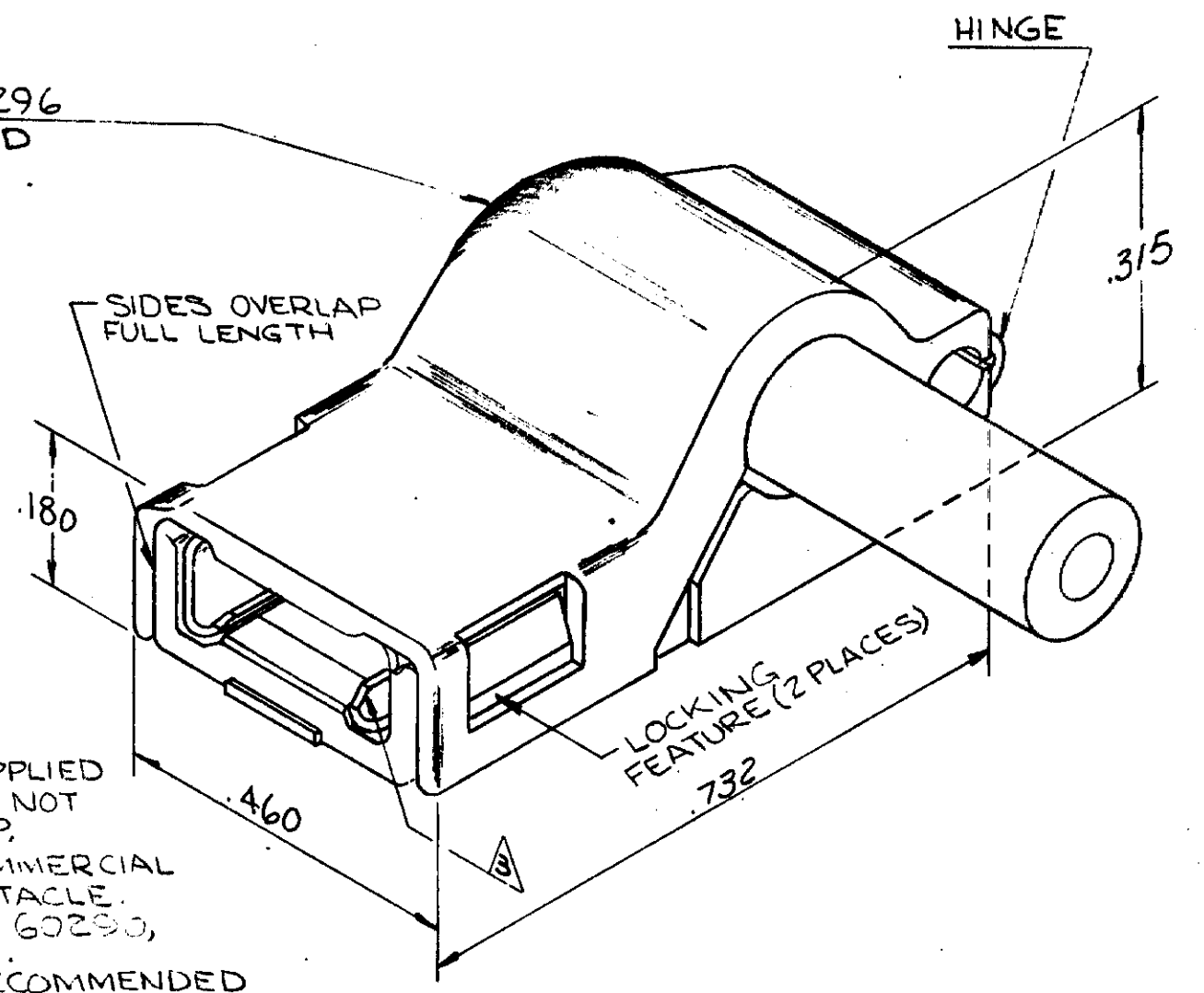


480296
POD



NOTE:
 1- CONTINUOUS STRIP, ON REELS.
 2- THIS PART TO BE SUPPLIED IN INDIVIDUAL FORM, NOT AS CONTINUOUS STRIP.
 3- "250" SERIES COMMERCIAL FLAG FASTON RECEPTACLE. TERMINAL NUMBERS 60290, 60314, 60455, 60923.
 4- SEE CP-14251 FOR RECOMMENDED TAB DETAILS FOR TERMINAL 60923, OTHER TERMINALS SEE CP-23587.

INSULATION RANGE	MATERIAL AND FINISH	PART NUMBER STRIP	COMBINATION NUMBER LOOSE PIECE
.140 MAX. OR (2) .110 MAX.	NYLON-NATURAL	1-480296-0	1-480306-1 (1-480296-0 LR)

DIMENSIONS IN INCHES. DO NOT SCALE PRINT.

PRINT DIST 50

REVISION RECORD		REVISION RECORD		REVISION RECORD		REVISION RECORD		REVISION RECORD		REVISION RECORD		REVISION RECORD		REVISION RECORD		REVISION RECORD		REVISION RECORD			
LTR	REVISION RECORD	DR	CHK	DATE	DESCRIPTION		DESCRIPTION		DESCRIPTION		DESCRIPTION		DESCRIPTION		DESCRIPTION		DESCRIPTION		DESCRIPTION		
D	REVISED				DESCRIPTION		DESCRIPTION		DESCRIPTION		DESCRIPTION		DESCRIPTION		DESCRIPTION		DESCRIPTION		DESCRIPTION		
C	RELEASED	VK		3/1/77	DESCRIPTION		DESCRIPTION		DESCRIPTION		DESCRIPTION		DESCRIPTION		DESCRIPTION		DESCRIPTION		DESCRIPTION		
B	DELETED "EC" FROM NR. A-840	CM	PK	5/1/66	DESCRIPTION		DESCRIPTION		DESCRIPTION		DESCRIPTION		DESCRIPTION		DESCRIPTION		DESCRIPTION		DESCRIPTION		
A	REDRAWN A47	CM	PK	9/1/66	DESCRIPTION		DESCRIPTION		DESCRIPTION		DESCRIPTION		DESCRIPTION		DESCRIPTION		DESCRIPTION		DESCRIPTION		
				480296				480296				480296				480296					
DWG NUMBER		DWG NAME		DWG REMARKS		DWG NUMBER		DWG NAME		DWG REMARKS		DWG NUMBER		DWG NAME		DWG REMARKS		DWG NUMBER		DWG NAME	
3-1-66		C.MEYERS				3-2-66		E.F. Miller				3-2-66		R. Kohler				3-2-66		R.C. Mann	
MATERIAL AND FINISH		MATERIAL AND FINISH		MATERIAL AND FINISH		MATERIAL AND FINISH		MATERIAL AND FINISH		MATERIAL AND FINISH		MATERIAL AND FINISH		MATERIAL AND FINISH		MATERIAL AND FINISH		MATERIAL AND FINISH		MATERIAL AND FINISH	
NYLON-NATURAL		NYLON-NATURAL		NYLON-NATURAL		NYLON-NATURAL		NYLON-NATURAL		NYLON-NATURAL		NYLON-NATURAL		NYLON-NATURAL		NYLON-NATURAL		NYLON-NATURAL		NYLON-NATURAL	
WIRE - RANGE - INSULATION		WIRE - RANGE - INSULATION		WIRE - RANGE - INSULATION		WIRE - RANGE - INSULATION		WIRE - RANGE - INSULATION		WIRE - RANGE - INSULATION		WIRE - RANGE - INSULATION		WIRE - RANGE - INSULATION		WIRE - RANGE - INSULATION		WIRE - RANGE - INSULATION		WIRE - RANGE - INSULATION	
TOLERANCE EXCEPT AS NOTED ± .015 ± 1° 0'		TOLERANCE EXCEPT AS NOTED ± .015 ± 1° 0'		TOLERANCE EXCEPT AS NOTED ± .015 ± 1° 0'		TOLERANCE EXCEPT AS NOTED ± .015 ± 1° 0'		TOLERANCE EXCEPT AS NOTED ± .015 ± 1° 0'		TOLERANCE EXCEPT AS NOTED ± .015 ± 1° 0'		TOLERANCE EXCEPT AS NOTED ± .015 ± 1° 0'		TOLERANCE EXCEPT AS NOTED ± .015 ± 1° 0'		TOLERANCE EXCEPT AS NOTED ± .015 ± 1° 0'		TOLERANCE EXCEPT AS NOTED ± .015 ± 1° 0'		TOLERANCE EXCEPT AS NOTED ± .015 ± 1° 0'	
SCALE 2-1		SCALE 2-1		SCALE 2-1		SCALE 2-1		SCALE 2-1		SCALE 2-1		SCALE 2-1		SCALE 2-1		SCALE 2-1		SCALE 2-1		SCALE 2-1	
LOC A		LOC A		LOC A		LOC A		LOC A		LOC A		LOC A		LOC A		LOC A		LOC A		LOC A	
REV B		REV B		REV B		REV B		REV B		REV B		REV B		REV B		REV B		REV B		REV B	
NO 480296		NO 480296		NO 480296		NO 480296		NO 480296		NO 480296		NO 480296		NO 480296		NO 480296		NO 480296		NO 480296	
NAME AMPIP-POST INSULATION POD		NAME AMPIP-POST INSULATION POD		NAME AMPIP-POST INSULATION POD		NAME AMPIP-POST INSULATION POD		NAME AMPIP-POST INSULATION POD		NAME AMPIP-POST INSULATION POD		NAME AMPIP-POST INSULATION POD		NAME AMPIP-POST INSULATION POD		NAME AMPIP-POST INSULATION POD		NAME AMPIP-POST INSULATION POD		NAME AMPIP-POST INSULATION POD	