

### Handle series FG5

**Material and surface:**

Tube  $\varnothing$  30 x 1.5 mm of aluminium AlMgSi 0.5; black powder coated with fine structure. Tube holder and cap of polyamide PA 6, black with fine structure.

**Function element:**

Emergency stop.

**FG5-20:**

2 NC contacts, unlighted.

**FG5-21:**

1 NC contact and illumination by red LED.

**Connecting:**

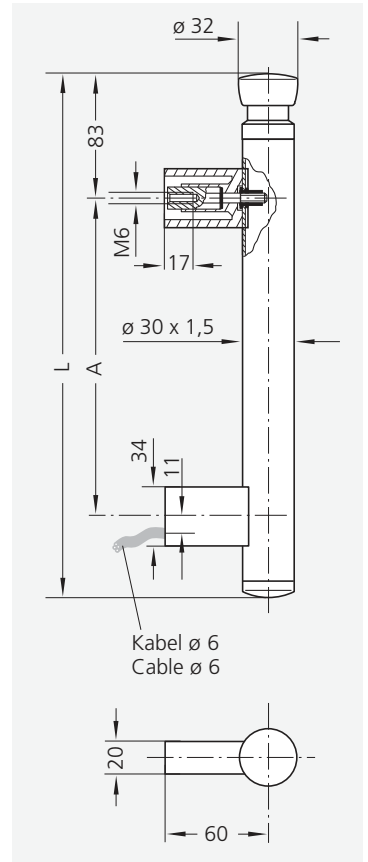
Connecting cable 5 m lead out of the tube holder.

**Protection class:**

The protection class of the functional handle conforms to IP 65.

**Note:**

Other handle lengths on request.



		Typ FG5-20 without illumination	Typ FG5-21 with illumination
A	L	Order no.	Order no.
200	342	FG5-20.200.54	FG5-21.200.54
300	442	FG5-20.300.54	FG5-21.300.54
400	542	FG5-20.400.54	FG5-21.400.54

### Technical data

Typ	FG5-20	FG5-21
Connection		
Switching voltage	1-42 V AC/DC	
Switching current	0,01-100 mA	
Operating voltage LED	-	5-30 V DC



Door solenoid tumbler see page 304-305.