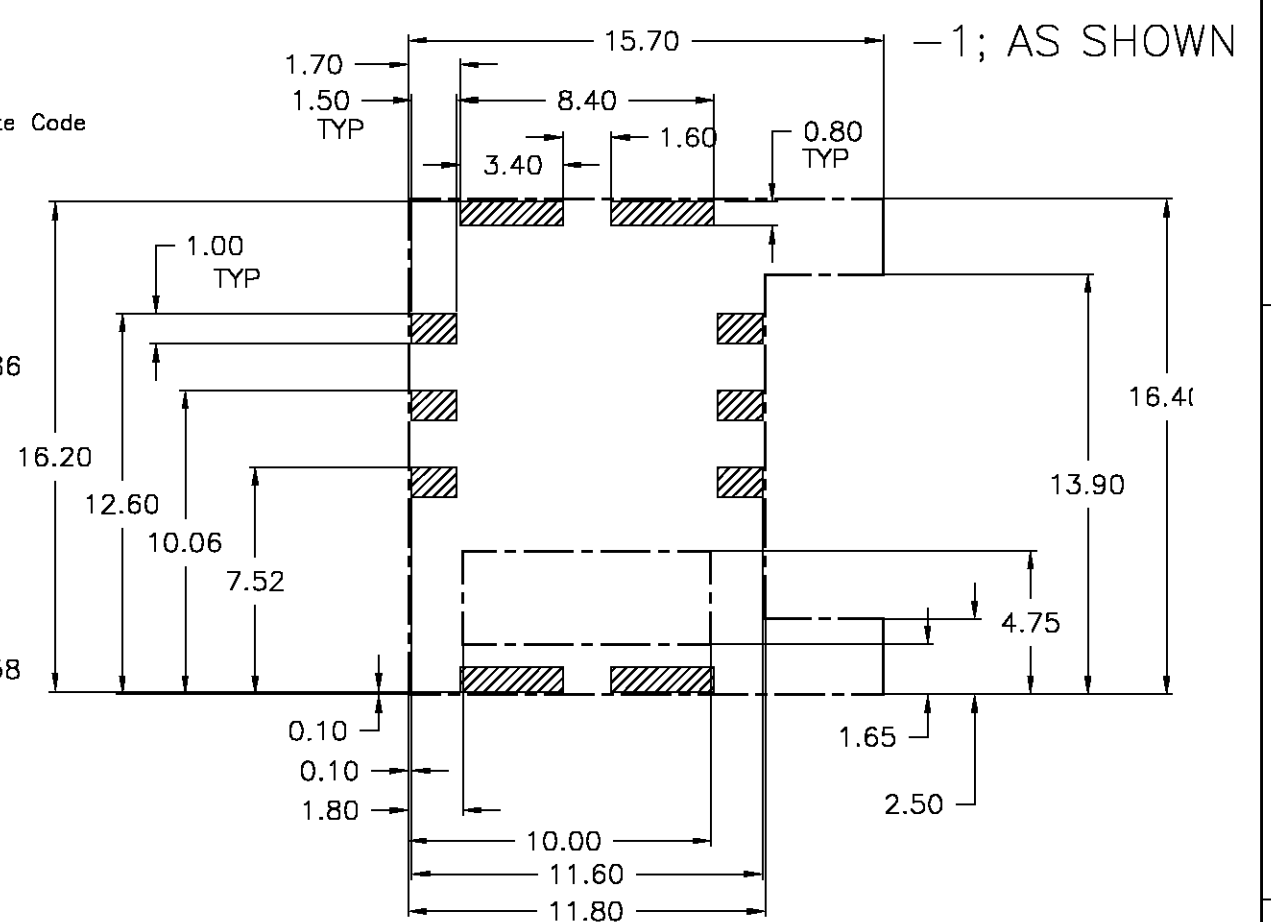
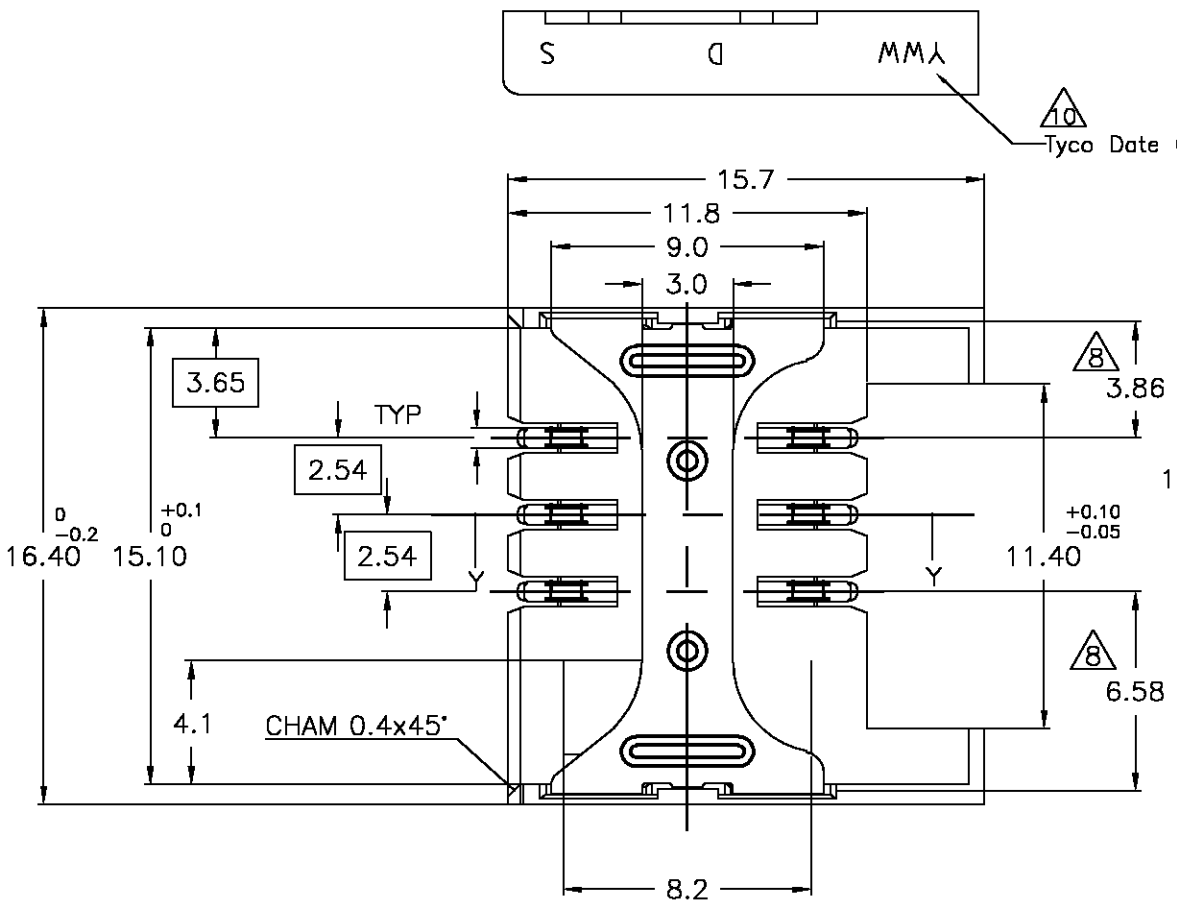
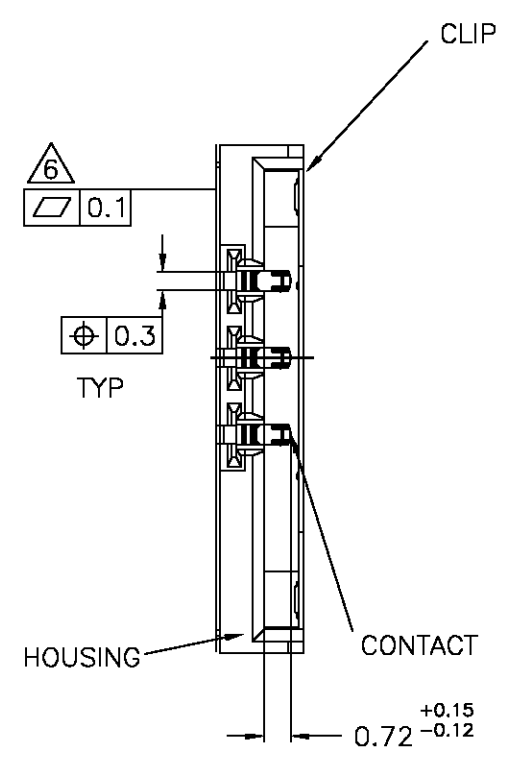
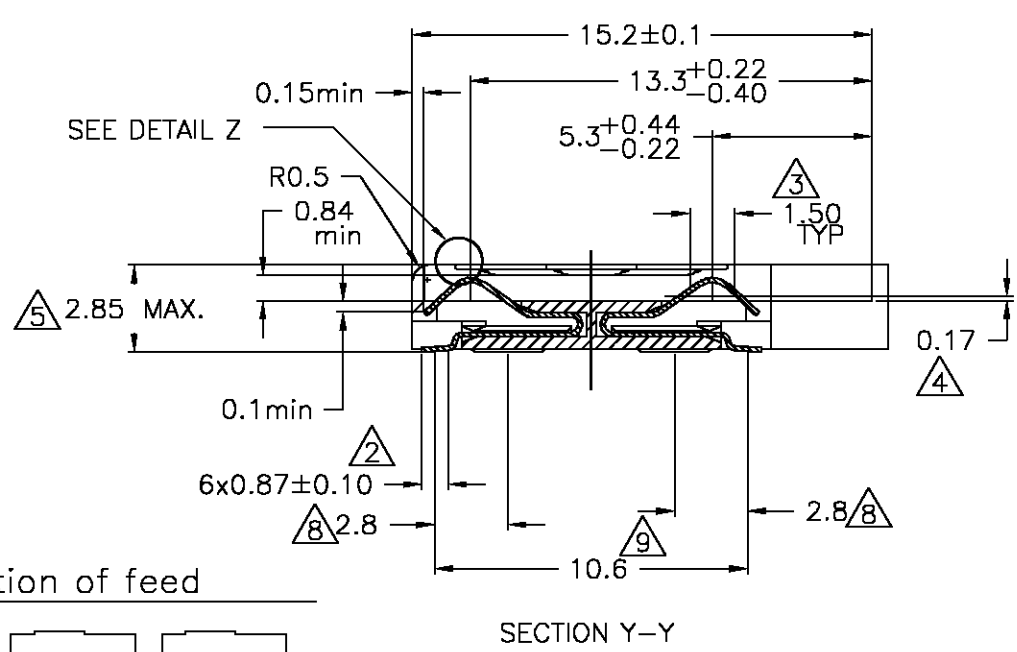
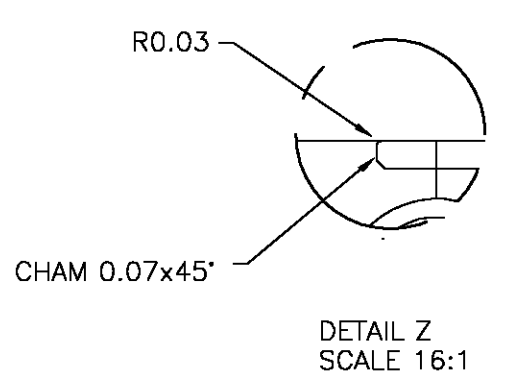


THIS DRAWING IS UNPUBLISHED. RELEASED FOR PUBLICATION 26JUL, 2002.
 © COPYRIGHT 2002 BY TYCO ELECTRONICS CORPORATION. ALL RIGHTS RESERVED.

LOC	DIST	REVISIONS			DATE	DWN	APVD
		P	LTR	DESCRIPTION			
J	-		D2	REVISED -	06APR2005	C.O	T.K

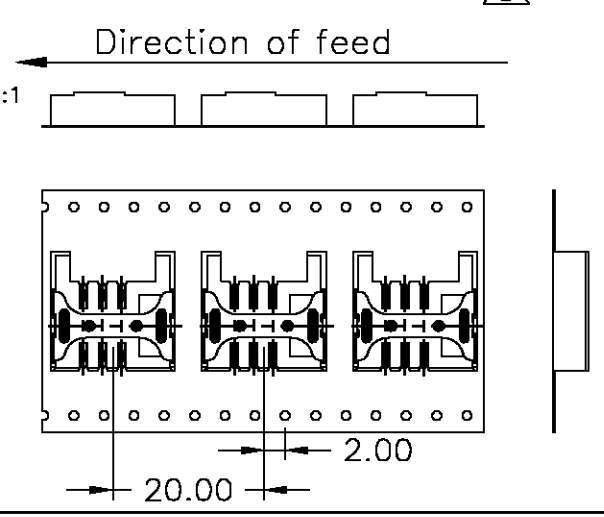


RECOMMENDED PCB LAYOUT



- △ MATERIAL: HOUSING : THERMO PLASTIC RESIN
CONTACT AND CLIP: COPPER ALLOY
PLATING; CONTACT SPRING PLATED COMPLETELY 1.5-1.8micron meter N
- △ IN THIS ZONE PLATED min 3 micron meter SnPb.
- △ IN THIS ZONE PLATED min 0.2 micron meter Au over min 1 Um Pd or PdNi.
- △ WHEN CONTACT IS COMPRESSED TO THIS HEIGHT
SPRING FORCE min 0.3N-0.7N
- △ OVERALL DIMENSION.
- △ COPLANARITY MEASURED 6 CONTACTS AND TWO PEGS
- 7 PACKAGING SPECIFICATION: 107-60193
- △ DIMENSION FROM CENTER OF CONTACT TO CENTER OF CLIP PEG.
- △ DIMENSION FROM LEFT CONTACT TO RIGHT CONTACT
- △ TYCO DATE CODE LOCATED AT OPPOSITE OF GATING SIDE
Y=YEAR; W=WEEK; D=DAY; S=SHIFT

Packaging: tape & reel (1:1)
 Tape width: 32
 Tape material: PS black conductive
 Cavity pitch: 20
 Reel diameter: 360
 Components / reel: 1000
 Five reels packed in a box
 Packaging specification: 107-60193



THIS DRAWING IS A CONTROLLED DOCUMENT.		DWN C.OHASHI 22JUL2002	Tyco Electronics AMP K.K. Kawasaki, Japan	
DIMENSIONS: 單位: 耗 MM		CHK K.IKEGAMI 24JUL2002	NAME K.KODAIRA	
TOLERANCES UNLESS OTHERWISE SPECIFIED: 一般公差		APVD K.KODAIRA 24JUL2002	PRODUCT SPEC 製品規格 108-5826	
0 PLC ± - 1 PLC ± 0.1 2 PLC ± 0.06 3 PLC ± - 4 PLC ± - ANGLES ± 2'		APPLICATION SPEC 取付適用規格		SIZE A3
MATERIAL 材料	FINISH 仕上	WEIGHT 0.6g	CAGE CODE 00779	DRAWING NO C-1612586
CUSTOMER DRAWING		RESTRICTED TO		SCALE 尺度 4:1
		SHEET 1 OF 1		REV D2