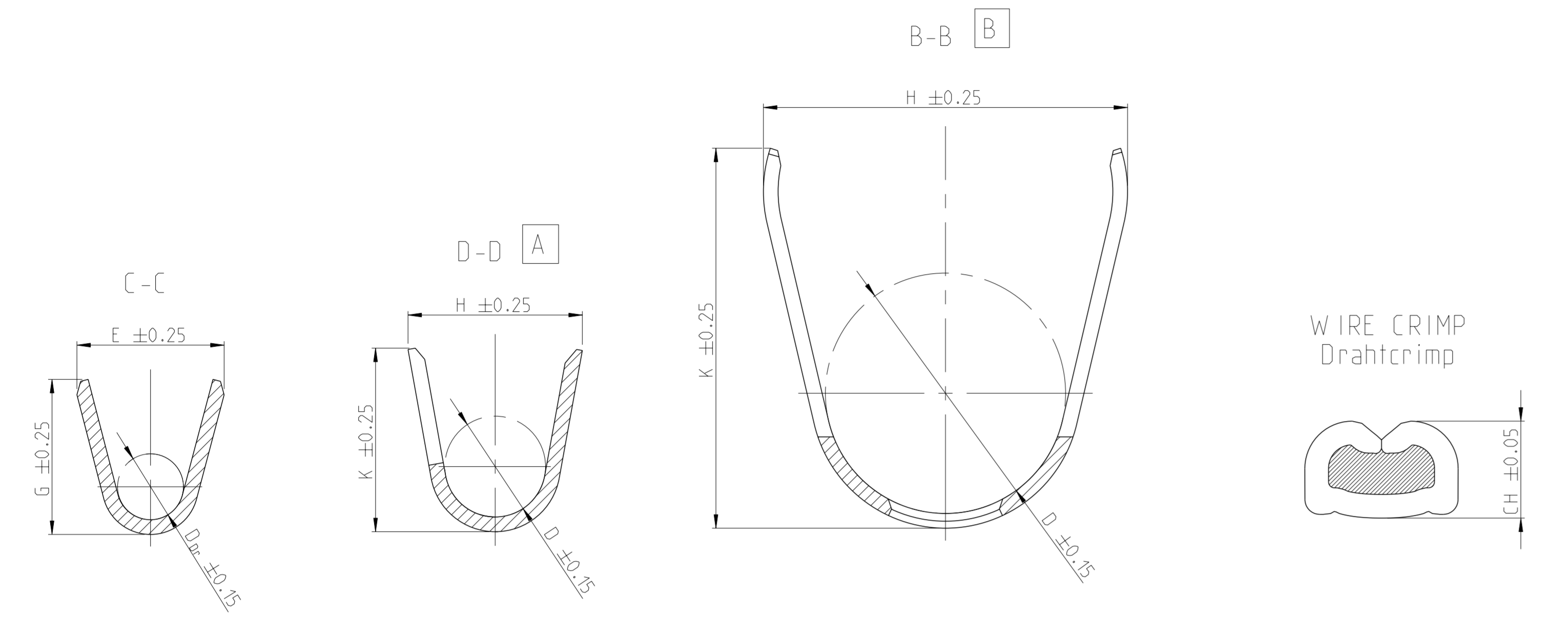


NOTES
Bemerkungen

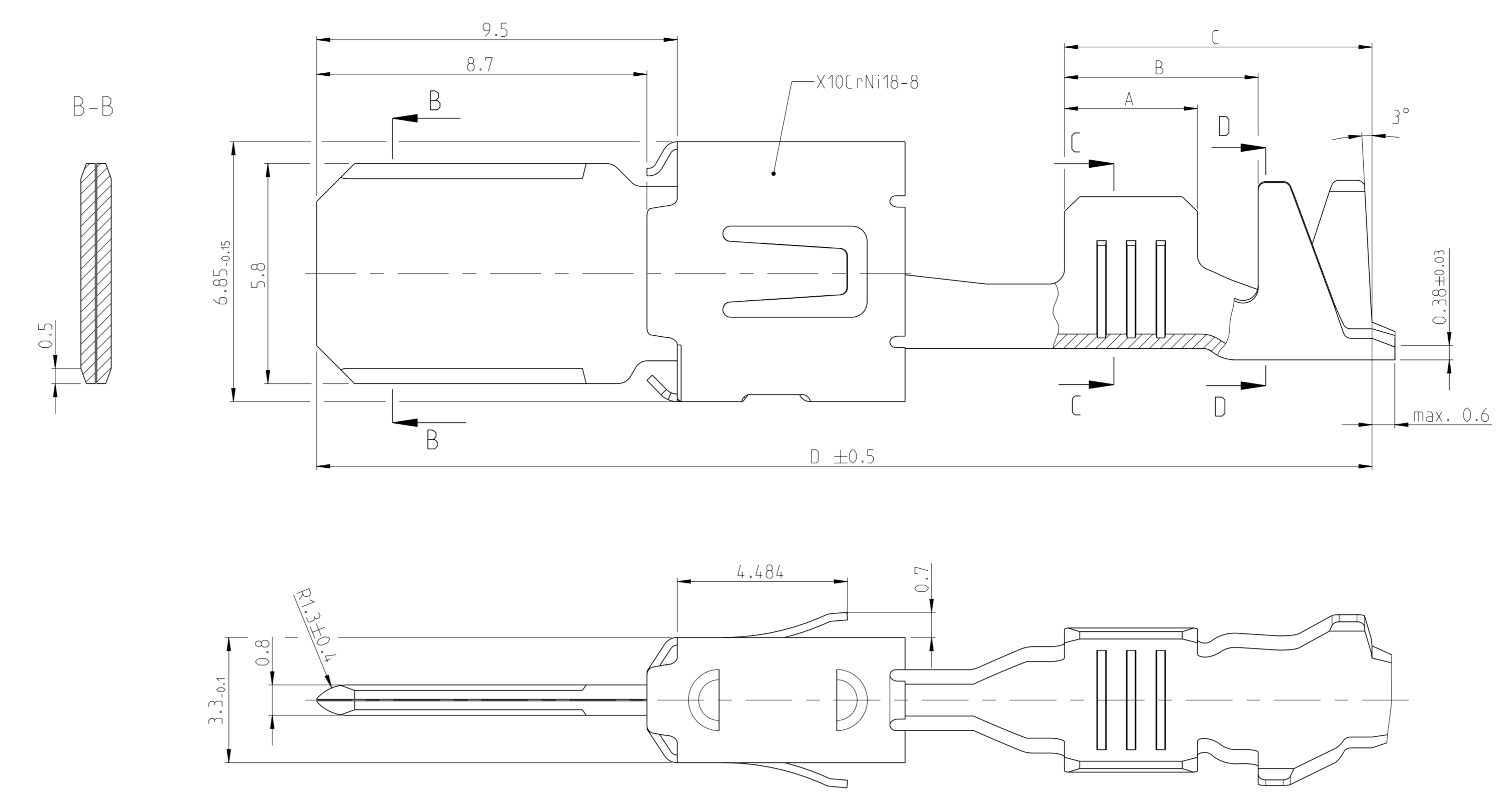
CONTACT AREA PRE SILVER MIN. 3µm
OTHER AREA PRE SILVER MIN. 1µm
SPRING BLANK
Kontaktzone vorversilbert min. 3µm
uebriger Bereich vorversilbert min. 1µm
Ueberfeder blank

PRE TIN MIN. 1µm
SPRING BLANK
Vorverzinkt min. 1µm
Ueberfeder blank

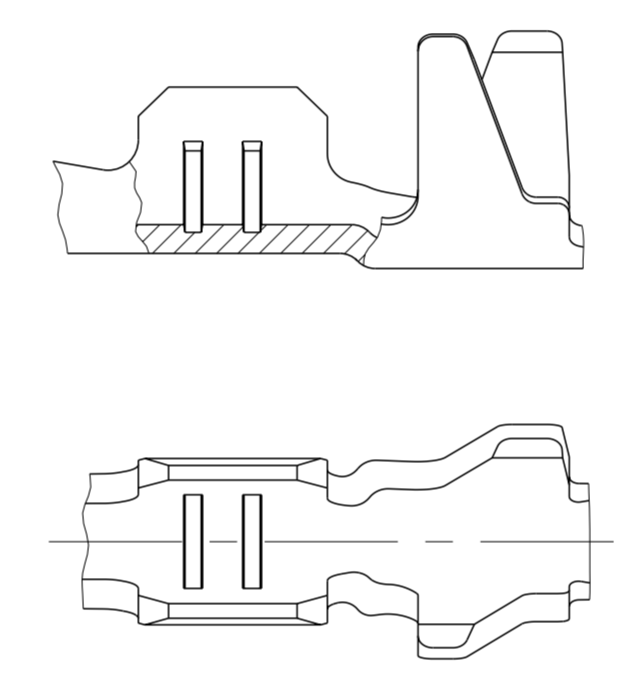


FLR-/FLK-WIRE
FLR-/FLK-Leitung

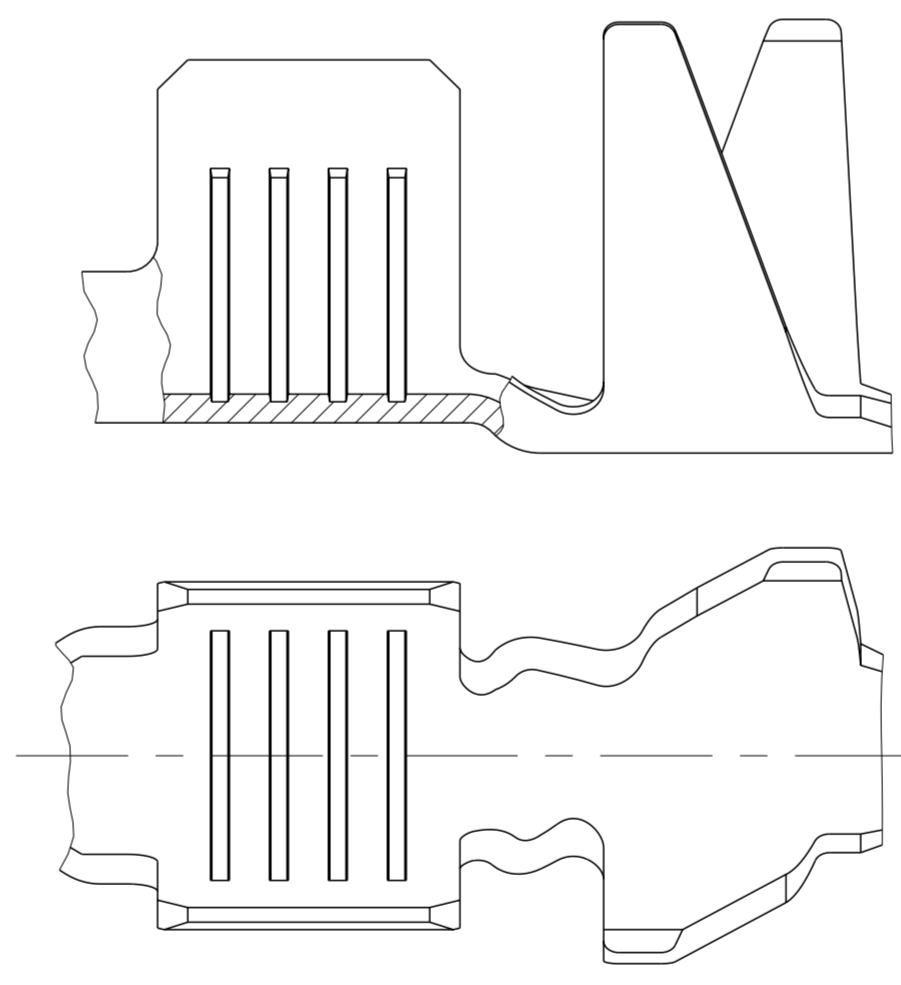
DESIGN 1
Ausfuehrung 1



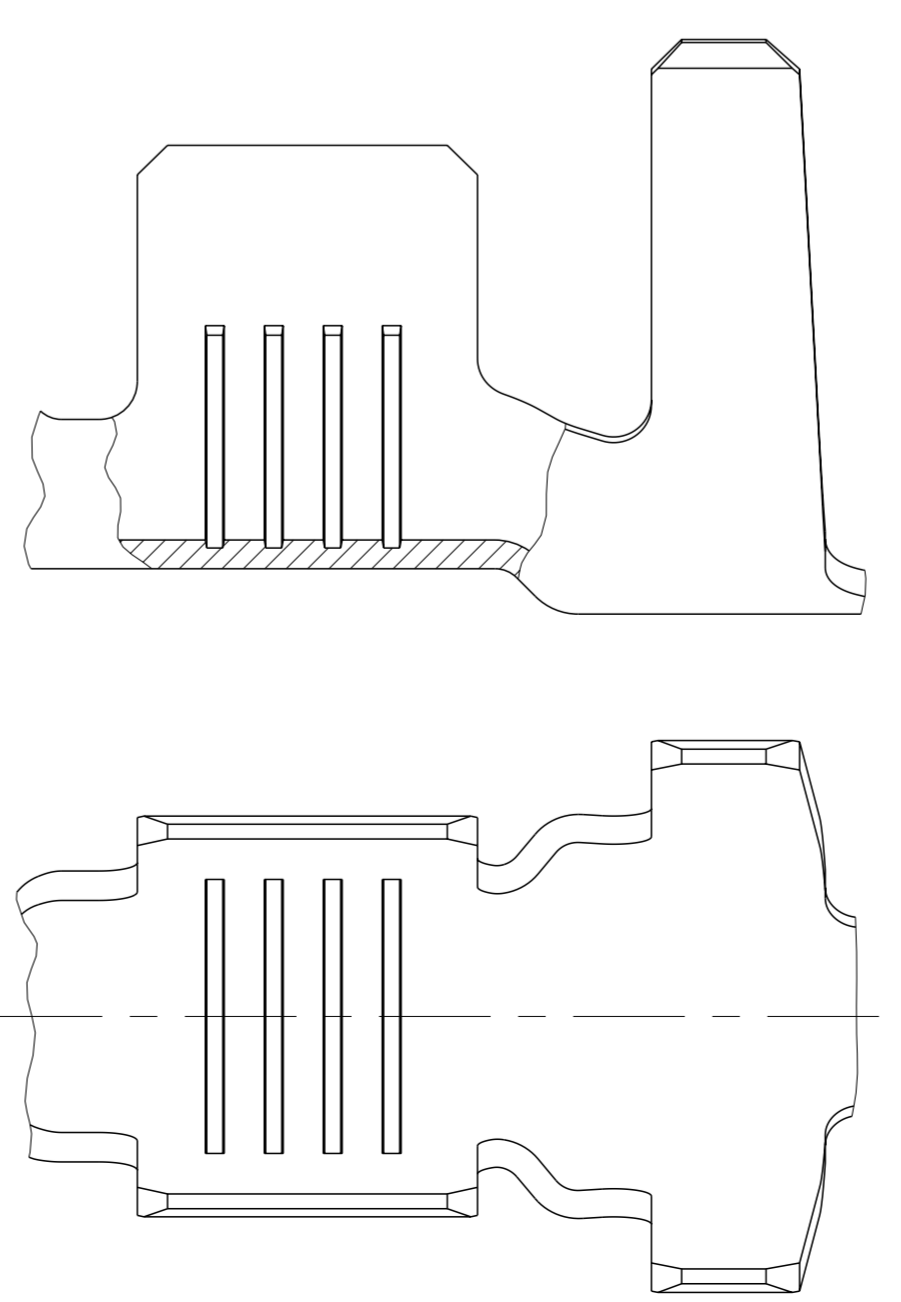
DESIGN 2
Ausfuehrung 2



DESIGN 3
Ausfuehrung 3

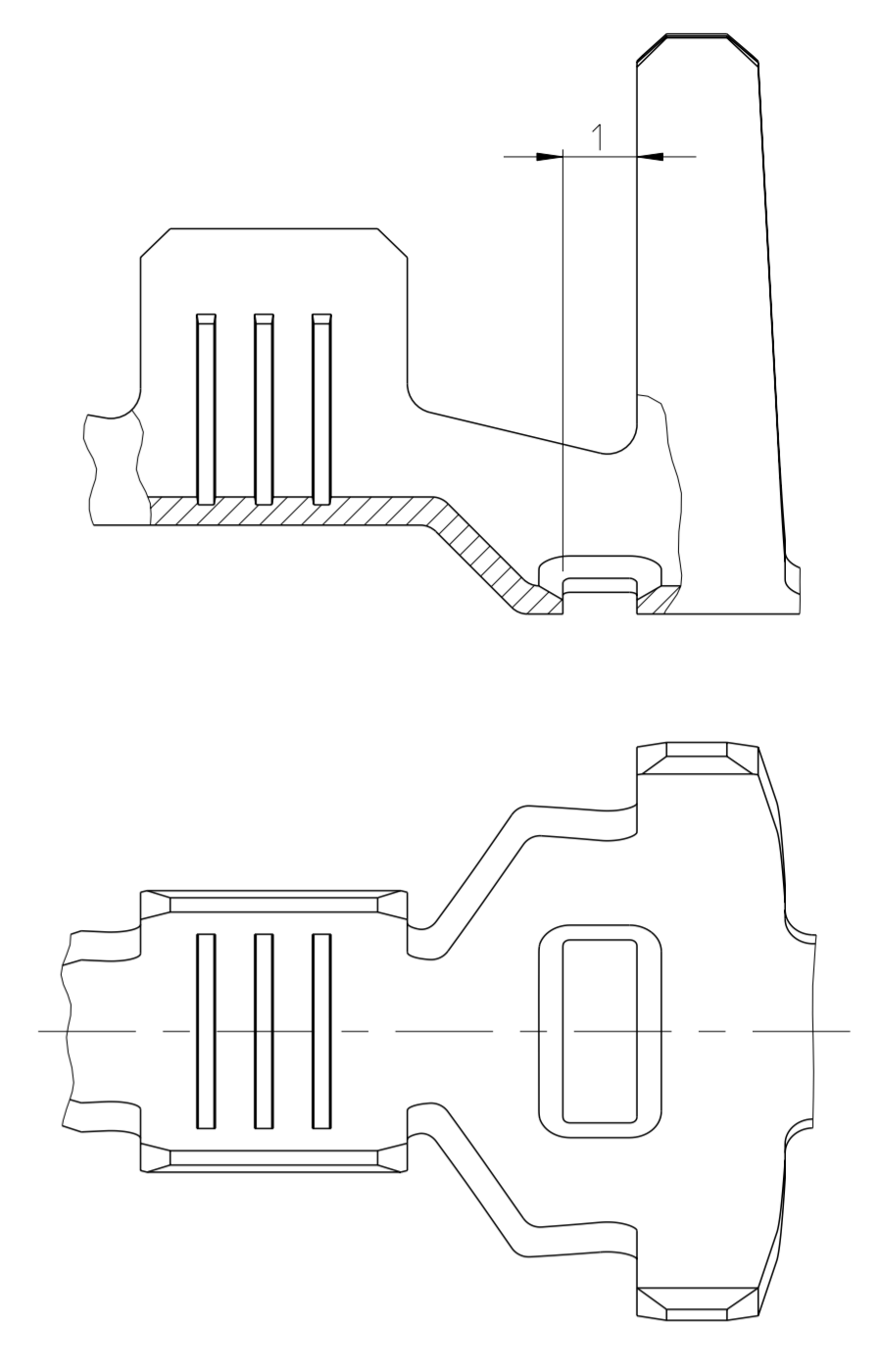


DESIGN 4
Ausfuehrung 4

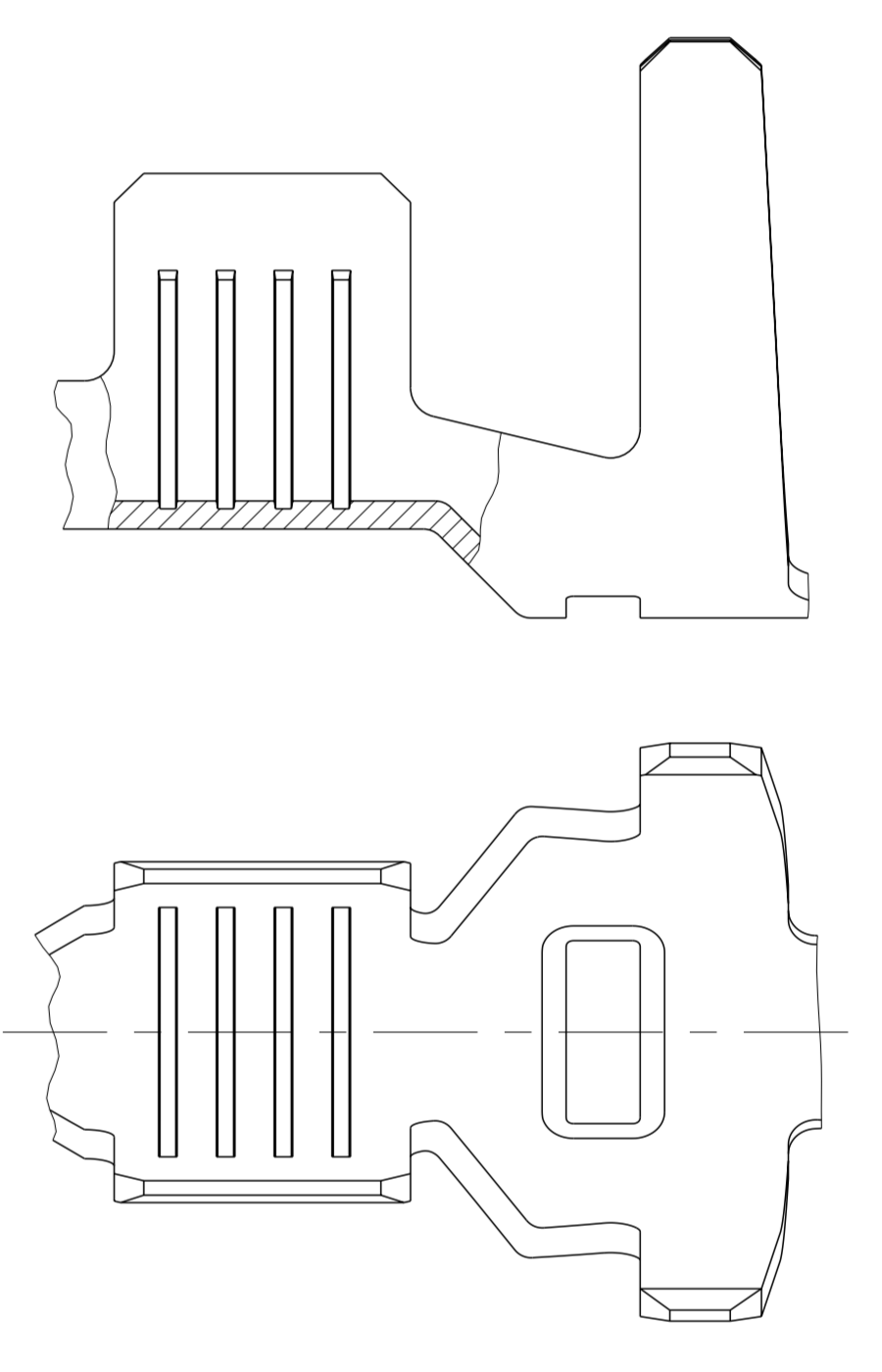


SINGLE WIRE SEAL
Einzeldichtungssystem

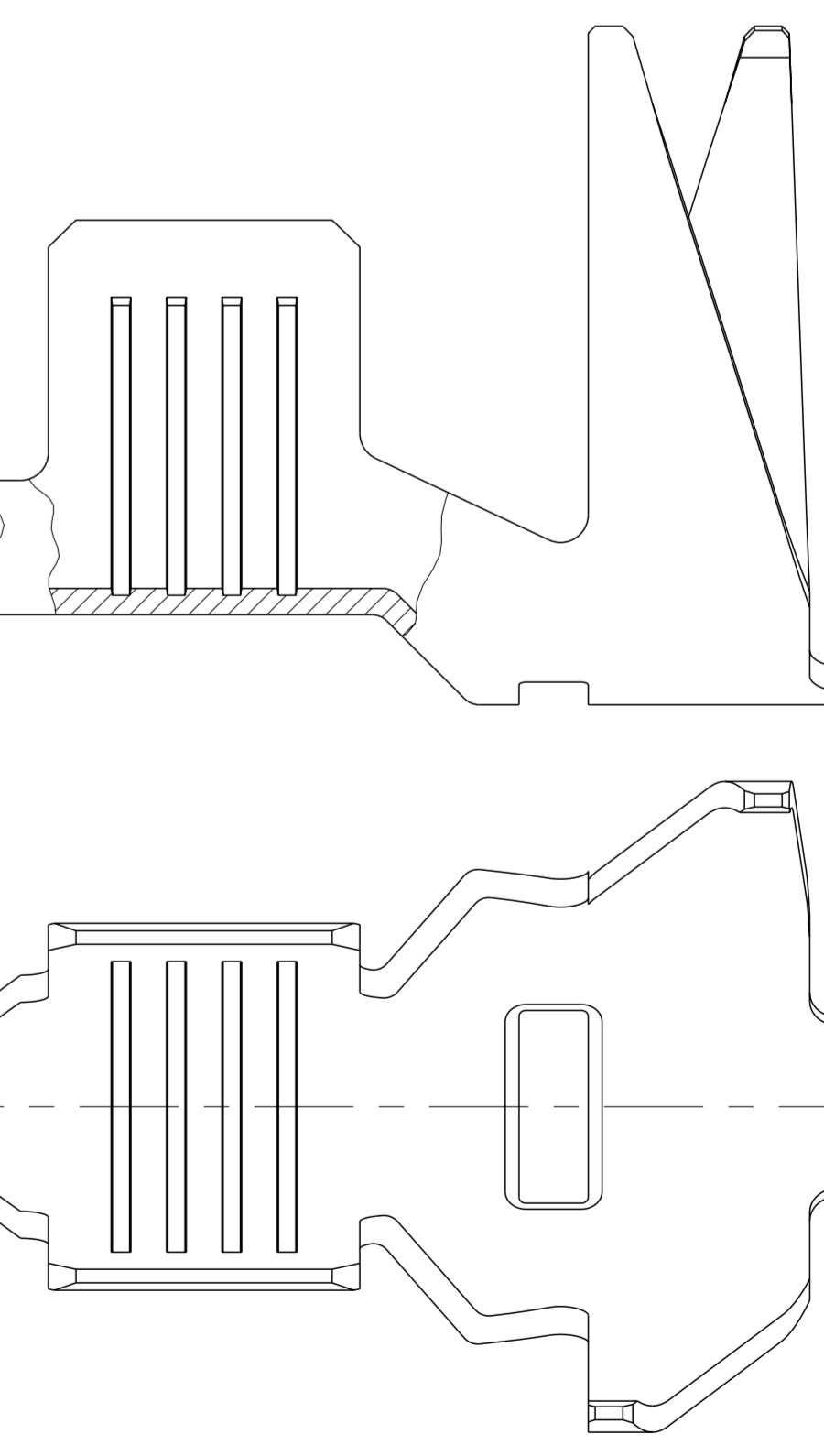
DESIGN 5
Ausfuehrung 5



DESIGN 6
Ausfuehrung 6



DESIGN 7
Ausfuehrung 7



SINGLE WIRE SEAL / Einzeldichtungssystem	Part No.	Rev.	Design	Material	Surface	DGB	SEE / siehe	SEE / siehe	SEE / siehe	Application Tool	Extraction Tool	A	B	C	D
							SECTION A-A	SECTION B-B	WIRE CRIMP						
SINGLE WIRE SEAL / Einzeldichtungssystem	2-2112966-2	A	7	CuFe2	△	6.0 AWG 10	E = 5.3 G = 5.7 D _{Dr} = 2.9	H = 9.4 K = 9.8 D = 6.2	6.0 mm ² = 2.35 AWG 10 = 2.30	1855636-6		4.5	7.8	11.0	29.3
	2-962919-2	E	6	CuFe2	△	4.0	E = 4.6 G = 4.8 D _{Dr} = 2.3	H = 7.8 K = 7.8 D = 5.5	4.0 mm ² = 2.34	2-878567-2		4.0	7.1	9.1	28.3
	1-962919-2	D		539757-2											
	1-962919-1	D													
	2-962918-2	E	5	CuFe2	△	>1.0 - 2.5	E = 3.8 G = 4.0 D _{Dr} = 1.7	H = 7.8 K = 7.8 D = 5.5	2.5 mm ² = 1.97 2.0 mm ² = 1.83 1.5 mm ² = 1.69	2-878566-2		3.6	6.7	8.7	28.3
	2-962918-1	E		539757-2											
	1-962918-2	D													
	1-962918-1	D													
	2-962917-1	E	5	CuFe2	△	0.5 - 1.0	E = 2.8 G = 3.0 D _{Dr} = 1.1	H = 7.8 K = 7.8 D = 5.5	1.0 mm ² = 1.56 0.75 mm ² = 1.47 0.5 mm ² = 1.38	2-878565-2		3.0	6.1	8.1	28.3
1-962917-2	D	539757-2													
1-962917-1	D														
FLK-WIRE / FLK-Leitung	2-968050-1	A	4	CuFe2	△	6.0	E = 5.3 G = 5.6 D _{Dr} = 2.9	H = 7.3 K = 7.6 D = 4.6	6.0 mm ² = 2.55 4.0 mm ² = 2.17	2-878968-2		4.5	6.8	9.1	28.8
	1-968050-1	A		CuSn4	△					4.0					
	2-962846-1	D	3	CuFe2	△	4.0	E = 4.6 G = 4.8 D _{Dr} = 2.4	H = 6.7 K = 7.0 D = 4.0	4.0 mm ² = 2.33	2-878564-2		4.0	6.0	10.8	30.5
	1-962846-2	C		CuSn4	△										
	1-962846-1	C													
	1-962845-2	D	1	CuSn4	△	>1.0 - 2.5	E = 3.8 G = 4.0 D _{Dr} = 1.7	H = 5.7 K = 5.9 D = 3.2	2.5 mm ² = 1.97 2.0 mm ² = 1.83 1.5 mm ² = 1.69	2-878563-2		3.6	5.2	9.0	28.7
1-962845-1	D	539759-2													
FLR-WIRE / FLR-Leitung	2-968050-2	A	4	CuFe2	△	6.0	E = 5.3 G = 5.6 D _{Dr} = 2.9	H = 7.3 K = 7.6 D = 4.6	6.0 mm ² = 2.35	2836646		4.5	6.8	9.1	28.8
	2-963736-2	C	3	CuFe2	△	4.0	E = 4.6 G = 4.8 D _{Dr} = 2.3	H = 5.5 K = 5.7 D = 3.2	4.0 mm ² = 2.33	2-878562-2		4.0	5.9	9.3	29.0
	2-963736-1	C		CuSn4	△										
	1-963736-2	B													
	1-963736-1	B													
	2-963735-2	C	1	CuFe2	△	>1.0 - 2.5	E = 3.8 G = 4.0 D _{Dr} = 1.7	H = 4.5 K = 4.7 D = 2.6	2.5 mm ² = 1.97 2.0 mm ² = 1.83 1.5 mm ² = 1.69	2-878561-2		3.5	5.1	8.1	27.8
	2-963735-1	C		CuSn4	△										
	1-963735-2	B													
	1-963735-1	B													
	2-963734-2	C	1	CuFe2	△	0.5 - 1.0	E = 2.8 G = 3.0 D _{Dr} = 1.1	H = 3.3 K = 3.5 D = 1.8	1.0 mm ² = 1.56 0.75 mm ² = 1.47 0.5 mm ² = 1.38	2-878654-2		3.0	4.6	6.8	26.5
	2-963734-1	C		CuSn4	△										
	1-963734-2	B													
1-963734-1	B														
2-965984-1	A	2	CuFe2	△	0.2 - 0.5	E = 2.2 G = 2.2 D _{Dr} = 0.8	H = 3.1 K = 3.1 D = 1.4				2.5	3.7	5.7	26.5	
1-965984-1	B		CuSn4	△											

THIS DRAWING IS A CONTROLLED DOCUMENT.		REV. 1	DATE 01.07.2001	BY T. Meierhofer	CHK T. Meierhofer
DIMENSIONS: mm		TOLERANCES UNLESS OTHERWISE SPECIFIED:		PRODUCT SPEC: 108-18064	
MATERIAL: -		FINISH: -		APPLICATION SPEC: 114-18052	
REV. 1		SCALE: 10:1		SHEET 1 of 1	
TE ORDER-NO. STRIP FORM TE Bestellnr. Bandware		DESIGN Ausfuehrung		MATERIAL Werkstoff	
REV.		DESIGN Ausfuehrung		MATERIAL Werkstoff	
WIRE CRIMP Drahtcrimp		INSUL. CRIMP Isolationscrimp		WIRE CRIMP HEIGHT CH Drahtcrimphoehe CH	
APPLICATION TOOL (MQC APPLICATOR HD) Anschlagwerkzeug		EXTRACTION TOOL Ausdrueckwerkzeug No. 726548-1		SCALE: 10:1	
CRIMP DIMENSIONS mm Crimpabmessungen mm		SCALE: 10:1		SHEET 1 of 1	

