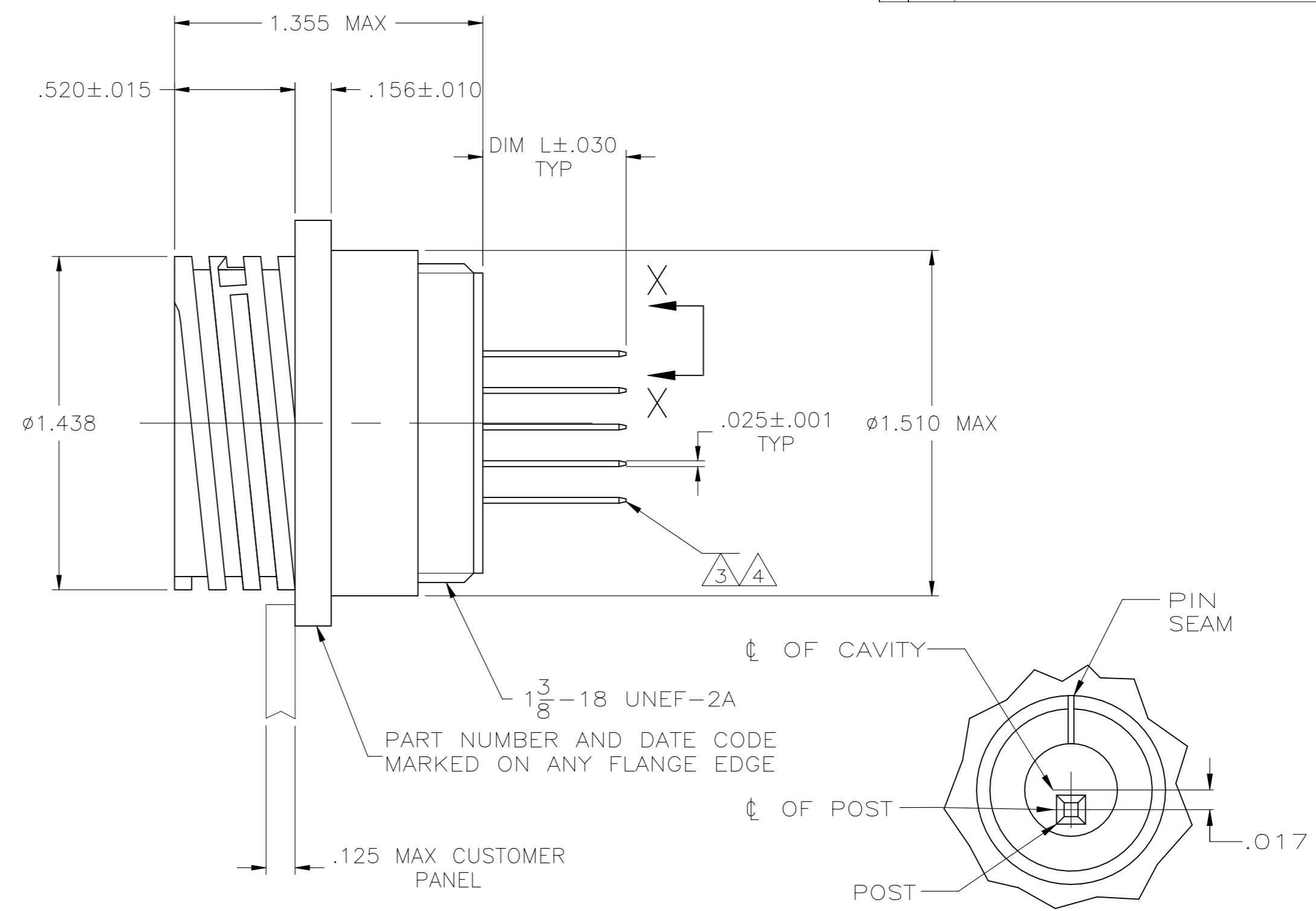
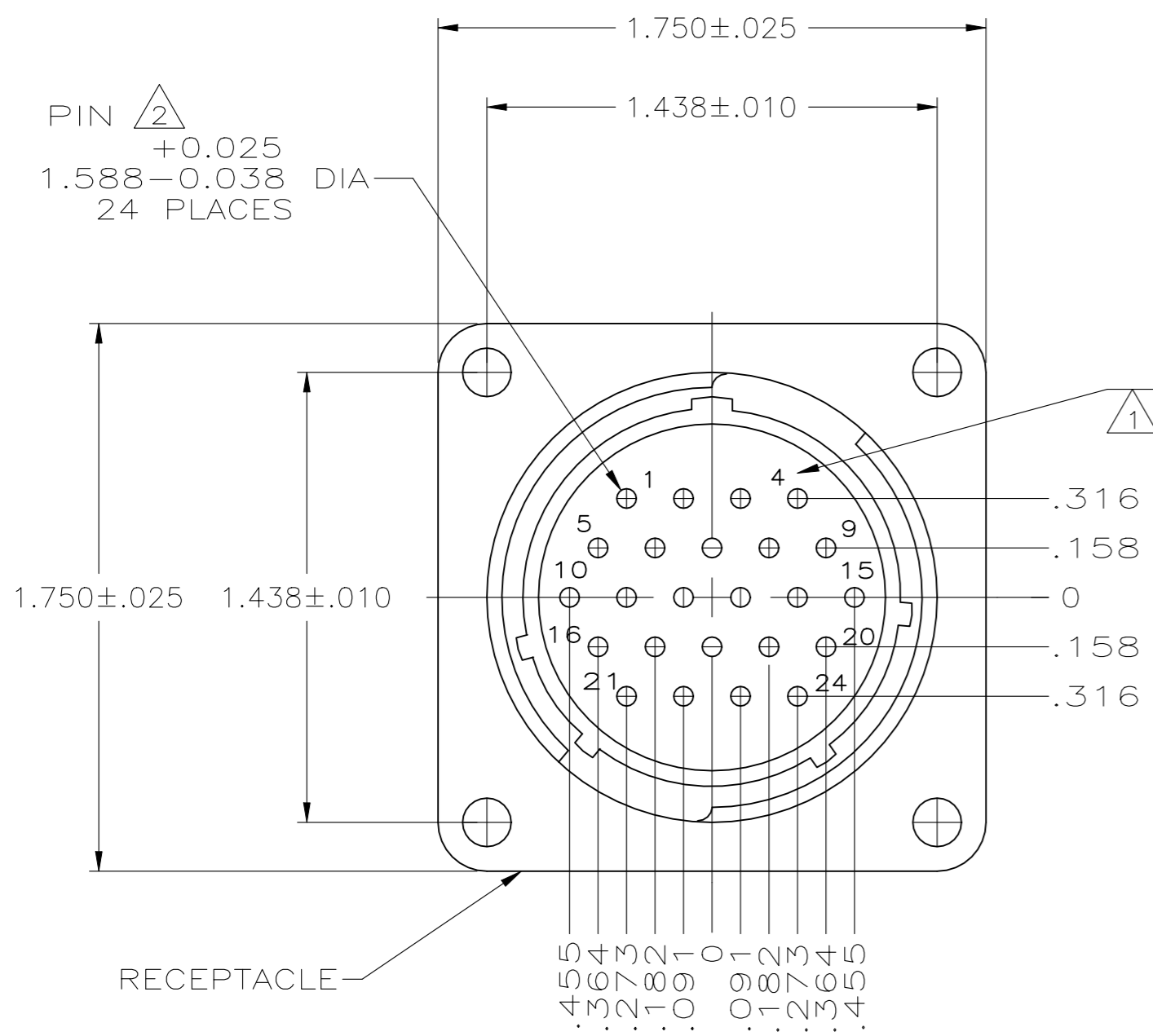


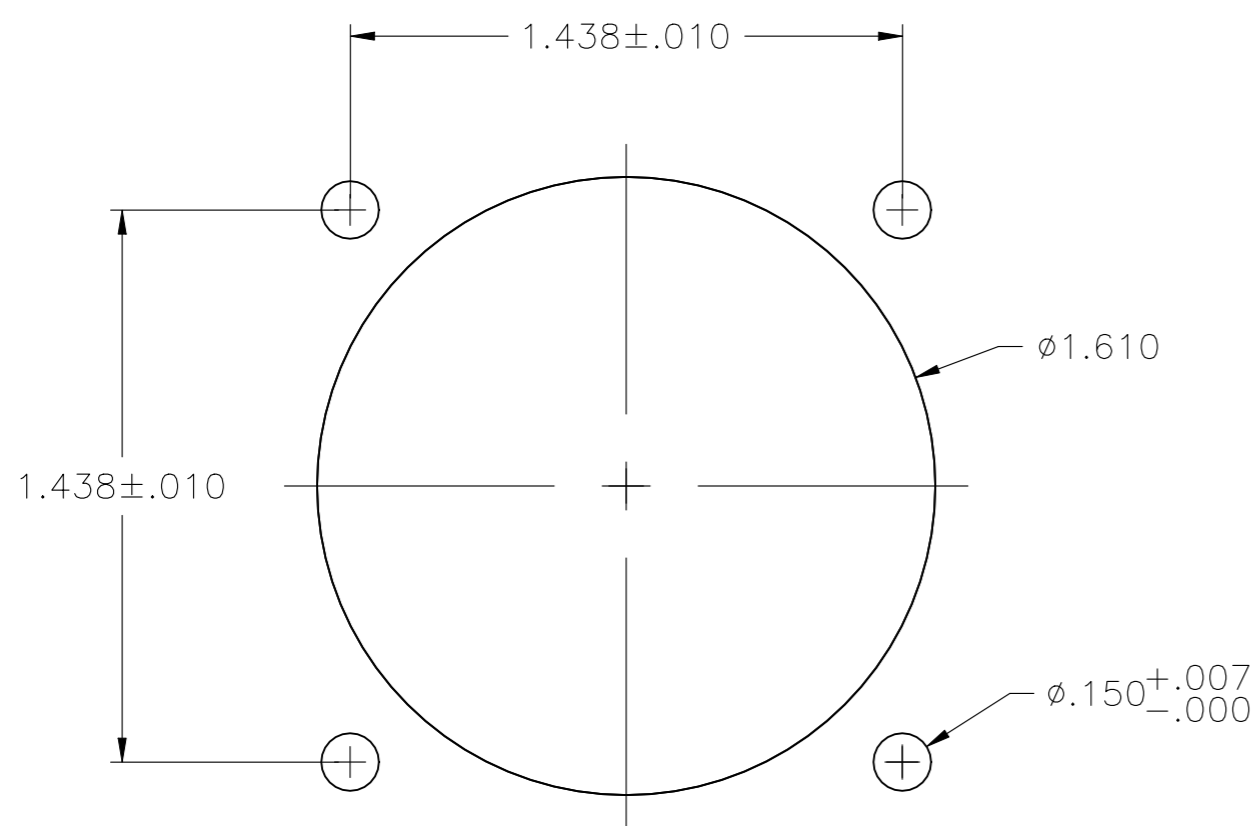
THIS DRAWING IS UNPUBLISHED. RELEASED FOR PUBLICATION
 © COPYRIGHT - By - ALL RIGHTS RESERVED.

REVISIONS		29NOV01	RH		
P	LTR	DESCRIPTION	DATE	DWN	APVD
D2		REVISED PER ECR-22-150475	26AUG2022	RK	MZ



VIEW X-X
 TYPICAL
 SCALE 10:1

- 1 CAVITY IDENTIFICATION CHARACTERS ON FRONT AND REAR FACE.
- 2 .000030 MIN GOLD FOR A LENGTH OF .250 MIN FROM MATING END OVER .000050 MIN NICKEL.
- 3 .000100 MIN TIN-LEAD OVER .000050 MIN NICKEL ON THIS END.
- 4 .000100 MIN TIN OVER .000050 MIN NICKEL ON THIS END.



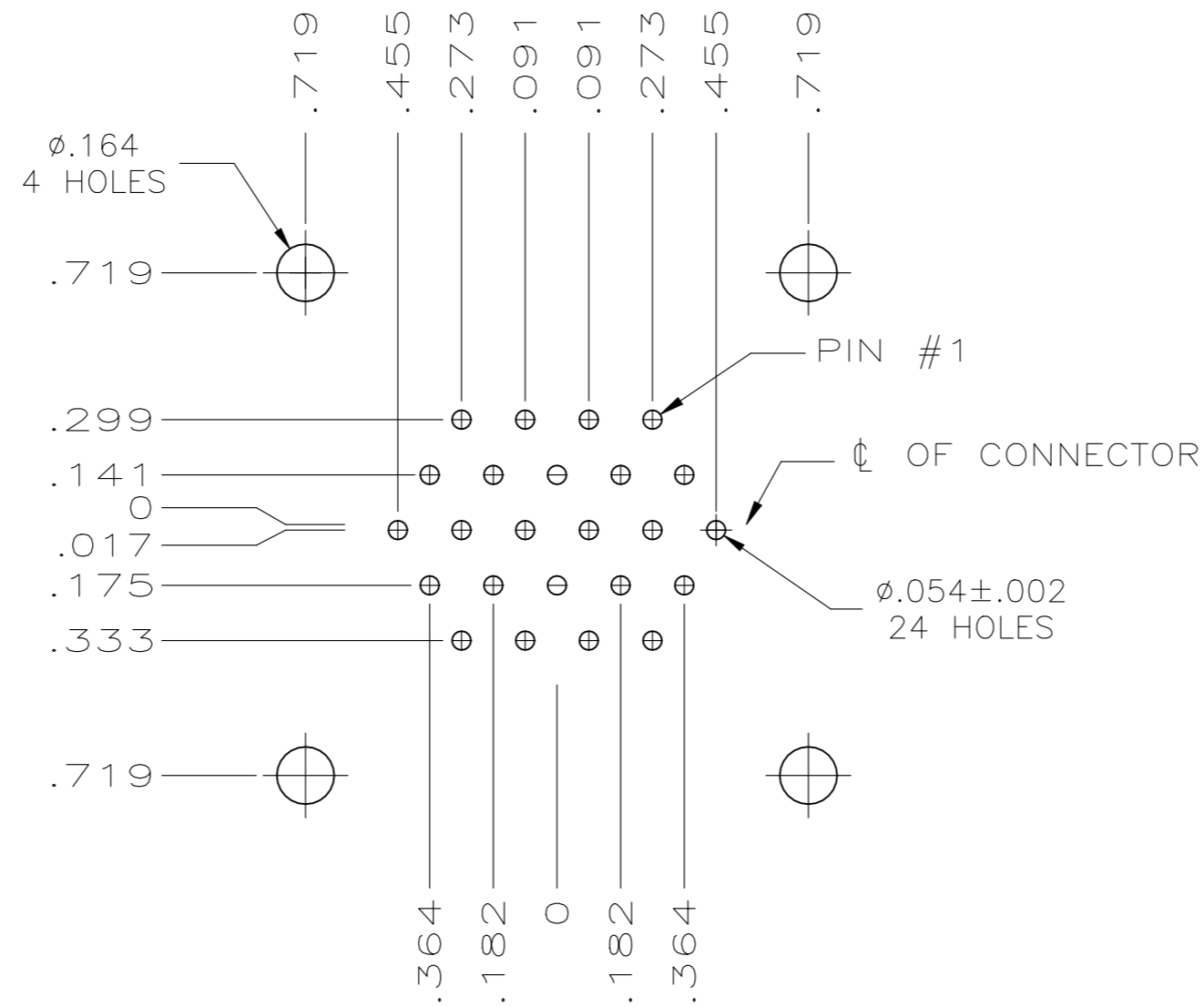
RECOMMENDED PANEL CUTOUT

	POST FINISH	DIM L	PART NUMBER
OBSOLETE	4	.618	213798-3
OBSOLETE	3	.244	-213798-2-
OBSOLETE	3	.618	213798-1


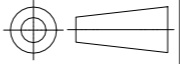
THIS DRAWING IS A CONTROLLED DOCUMENT.		DWN D.BROCKWAY 06-30-94	TE Connectivity	
DIMENSIONS: INCHES		CHK R.STONE 07-06-94	RECEPTACLE ASSEMBLY, 23-24, STANDARD SEX, POSTED CONTACTS, CPC	
TOLERANCES UNLESS OTHERWISE SPECIFIED:		APVD -	NAME	
0 PLC ± -		PRODUCT SPEC 108-10024	SIZE A2	
1 PLC ± -		APPLICATION SPEC	CAGE CODE 00779	DRAWING NO C=213798
2 PLC ± .005		WEIGHT -	RESTRICTED TO	
3 PLC ± -		CUSTOMER DRAWING	SCALE 2:1	SHEET 1 of 2
4 PLC ± -			REV D2	
ANGLES ± -				
FINISH				
MATERIAL PIN: BRASS RECEPTACLE: NYLON, BLACK				

THIS DRAWING IS UNPUBLISHED. RELEASED FOR PUBLICATION
 © COPYRIGHT - By - ALL RIGHTS RESERVED.

REVISIONS				
P	LTR	DESCRIPTION	DATE	APVD
-	-	SEE SHEET 1	-	-



RECOMMENDED P.C. BOARD LAYOUT

THIS DRAWING IS A CONTROLLED DOCUMENT.		DWN D.BROCKWAY 06-30-94	 TE Connectivity	
DIMENSIONS: INCHES		CHK R.STONE 07-06-94		
		APVD -	NAME	
TOLERANCES UNLESS OTHERWISE SPECIFIED: 0 PLC ± - 1 PLC ± - 2 PLC ± .005 3 PLC ± - 4 PLC ± - ANGLES ± -		PRODUCT SPEC 108-10024	RECEPTACLE ASSEMBLY, 23-24, STANDARD SEX, POSTED CONTACTS, CPC	
MATERIAL PIN: BRASS RECEPTACLE: NYLON, BLACK		FINISH -	WEIGHT -	SIZE A2
CUSTOMER DRAWING		CAGE CODE 00779	DRAWING NO. C=213798	RESTRICTED TO -
		SCALE 2:1	SHEET 2 OF 2	REV D2