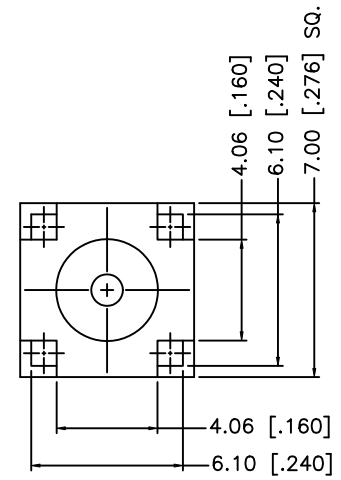
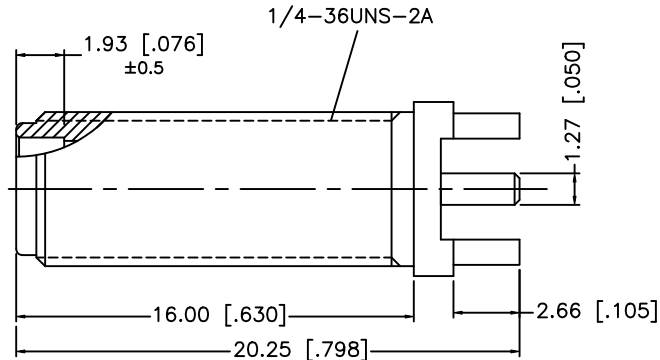
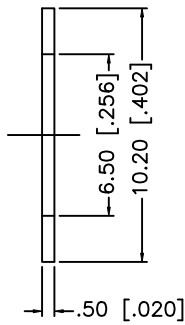
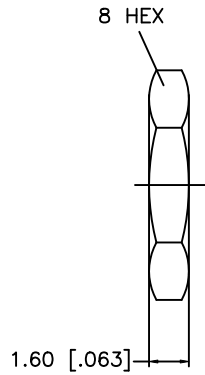
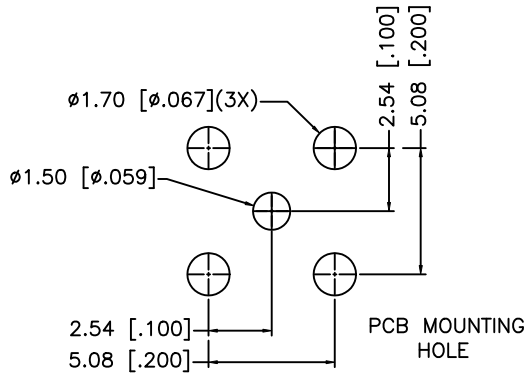


REV.	DATE	ECR NO.	DESCRIPTION
NC	12/12/05	-	INITIAL RELEASE
A	10/14/08	-	REVISE OVERALL LENGTH TO 20.25



NOTE:

1. MAX. PANEL THICKNESS = 7.5mm

REV.	DATE	ECR NO.	DESCRIPTION
8			
7			
6			
5	HEX NUT	BRASS	GOLD 1
4	LOCK WASHER	BRASS	GOLD 1
3	CONTACT PIN	BER. COPPER	GOLD 1
2	INSULATOR	PTFE	NATURAL 1
1	BODY	BRASS	GOLD 1
	DESCRIPTION	MATERIAL	FINISH QTY

<small>UNLESS OTHERWISE SPECIFIED DIMENSIONS ARE IN MILLIMETERS. DIMENSIONS IN [] ARE IN INCHES AND FOR CUSTOMER REFERENCE ONLY.</small> <small>UNLESS OTHERWISE SPECIFIED TOLERANCES FOR MILLIMETERS ARE:</small> 0.5 - 8mm ± 0.20mm 8 - 30mm ± 0.40mm 30 - 120mm ± 0.50mm <small>UNLESS OTHERWISE SPECIFIED TOLERANCES FOR INCHES ARE:</small> .020 - .315 = ± 0.007" .315 - 1.180 = ± 0.015" 1.180 - 4.724 = ± 0.020" DO NOT SCALE DRAWING	APPROVALS	DATE	<h1 style="color: blue; text-align: center;">Amphenol Connex</h1> <p style="text-align: center; font-weight: bold;">SMA BULKHEAD P.C. MOUNT JACK</p>					
	DRAWN	GRS				10/14/08		
	CHECKED							
	ISSUED							
	SHEET	1 OF 1						
CAD FILE	C:/132/132291-12.DWG		PART NO.	132291-12				
	DWG. NO.	132291-12.DWG	REV.	A	SIZE	A	SCALE	NA