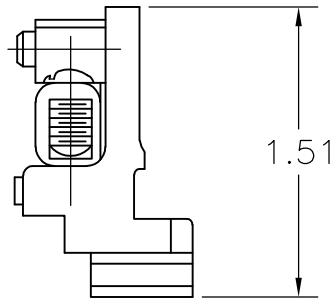
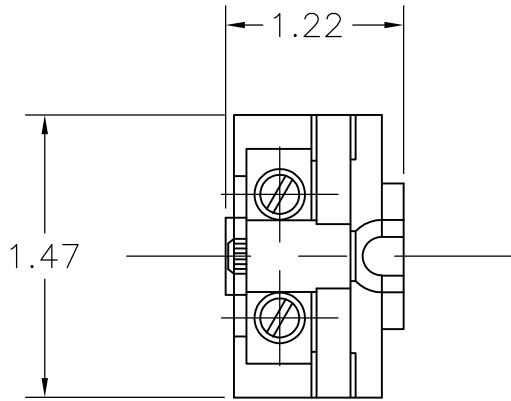


LOC	DIST	REVISIONS					
		P	LTR	DESCRIPTION	DATE	DWN	APVD
			A1	REVISED PER ECO-11-004917	11MAR11	RK	HMR

1 MATERIAL: PHENOLIC




RELEASED FOR PUBLICATION

ALL RIGHTS RESERVED.

THIS DRAWING IS UNPUBLISHED.

By -  
COPYRIGHT -

DIMENSIONS: INCHES	DWN	29SEP08	MATERIAL	1	FINISH	-	
	CHK	29SEP08	 TE Connectivity				
TOLERANCES UNLESS OTHERWISE SPECIFIED:	APVD	29SEP08					
0 PLC ± -	PRODUCT SPEC	-	NAME				0222-**-H D SECTIONAL BLOCK
1 PLC ± -	APPLICATION SPEC	-	SIZE	CAGE CODE	DRAWING NO	RESTRICTED TO	
2 PLC ± -	WEIGHT	-	A4	00779	C-1437390-9	-	
3 PLC ± -			CUSTOMER DRAWING				SCALE
4 PLC ± -							1:1
ANGLES ± -							SHEET
							1 OF 1
							REV
							A1

