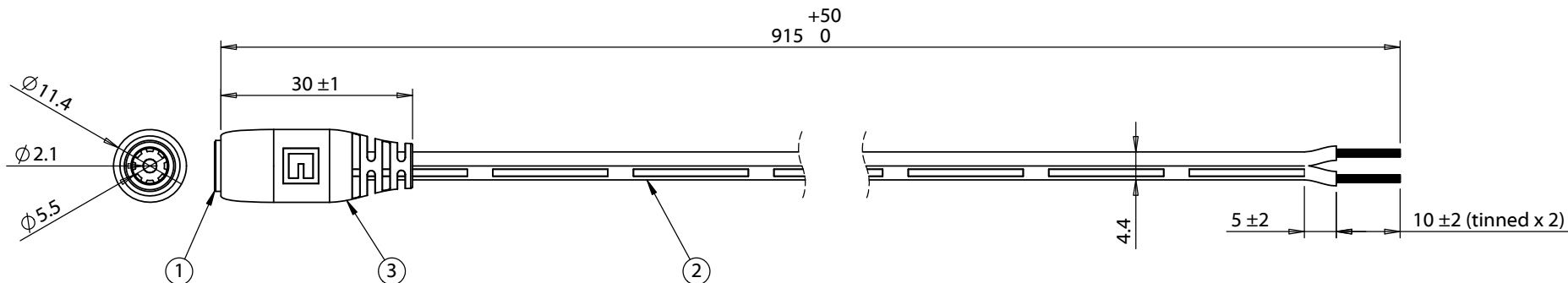


ITEM NO.	PART NUMBER	DESCRIPTION	QTY.	COMPONENT NOTES
1	50-00025	Connector, dc jack, 5.5x2.1xL17.4 mm, molding style	1	
2	30-00396	Wire, 2C TS, 18 AWG, UL2468, 300V, 80C, 4.4 mm, VW-1, PVC, white	1	
3	24-00004	Overmold, PVC, white	1	



**Notes:**

Cables individually tied and bundled in groups of 10

Functionally equivalent components may be substituted

7 A, 48 Vdc

Wiring Diagram	
50-00025	wire color
center	white with stripe
sleeve	white

Revision:	Date:	Description:	Prepared:	Notes:	<h1>TENSILITY</h1> <p>tel 1.541.323.3228 800 877.670.7118 fax 1.541.323.4202 web tensility.com</p>
A	12/21/2016	Initial release	JD <small>Digitally signed by JD Date: 2023.01.05 09:35:01 -08'00'</small>	RoHS and REACH compliant	
			Verified: MP <small>Digitally signed by MP Date: 2023.01.10 16:02:34 -08'00'</small>	Function test: no open, no short circuit, no intermittent	
			Dimensions are in millimeters. Tolerances: X: ± 0.5 mm X.X: ± 0.3 mm X.XX: ± 0.05 mm	Description: Cable, 915 mm, 5.5x2.1 mm 50-00025 dc jack to stripped tinned, 18 AWG, 30-00396 wire, white	
				Size: A	Part number: 10-01266
				Scale: 1:2	Sheet 1 of 1