

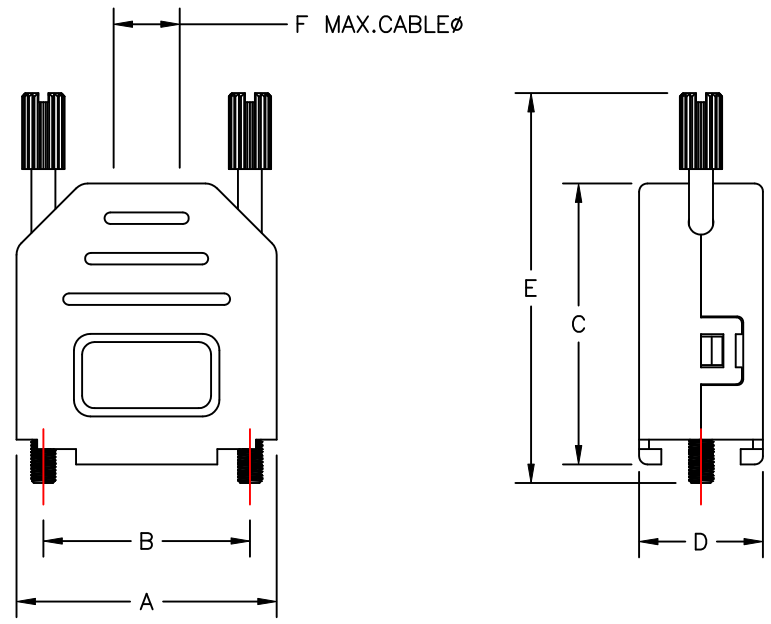
BACKSHELL KIT INCLUDES:

- (1) BACKSHELL
- (2) 4-40 THUMBSCREWS
- (1) PLASTIC STRAIN RELIEF
- (1) METAL STRAIN RELIEF CLAMP
- (2) STRAIN RELIEF SCREWS

TORQUE VALUE ON PLASTIC FOR STRAIN RELIEF SCREWS = 4 INCH POUNDS MAX.

972-009-01SRYY1

SERIES _____
 POSITIONS _____
 009
 MATERIAL _____
 01S = PLASTIC/SLIM LINE
 COLOR: _____
 01 = BLACK
 03 = LIGHT GREY
 04 = GREEN
 06 = RED
 07 = BLUE
 08 = YELLOW
 11 = DEC GREY
 PUT-UPS _____
 1 = KIT



****SEE PAGE 2 FOR PANTONE COLOR CODES**


	A	B	C	D	E	F
(TOL.) INCHES	± 0.032	± 0.012	± 0.020	± 0.020	± 0.020	
MM	± 0.80	± 0.30	± 0.50	± 0.50	± 0.50	
INCHES	1.240	.984	1.339	.591	1.858	.315
MM	31.50	24.99	34.00	15.00	47.20	8.00

MATERIAL: POLYAMIDE PA66 - UL 94H-B
 MANY COLORS AVAILABLE (SEE SHEET 2)

THUMBSCREWS: STEEL, BLACK OXIDE (FOR BLACK HOODS)
 STEEL, ZINC PLATED (FOR COLORED HOODS)

OPERATING TEMP: -55°C TO +110°C

RoHS COMPLIANT

	THESE DRAWINGS AND SPECIFICATIONS ARE THE PROPERTY OF NorComp AND SHALL NOT BE REPRODUCED, COPIED OR USED AS THE BASIS FOR THE MANUFACTURE OF SALE OF APPARATUS WITHOUT WRITTEN PERMISSION.		DRAWN: M. SIGMON	DATE: 07-06-15
			CHECKED:	DATE:
<h1>NorComp</h1>		SCALE:	SHEET 1 OF 2	REV 0
		DWG NO. 972-009-01SRYY1		

COLOR RANGE		
COLOR	UPPER	LOWER
01 = BLACK	PANTONE BLACK 3C	PANTONE BLACK 3C
03 = LIGHT GREY	427C	427C
04 = GREEN	7731C	7732C
06 = RED	186C	187C
07 = BLUE	2190C	2191C
08 = YELLOW	108C	109C
11 = DEC GREY	7527C	7534C



THESE DRAWINGS AND SPECIFICATIONS ARE THE PROPERTY OF NorComp AND SHALL NOT BE REPRODUCED, COPIED OR USED AS THE BASIS FOR THE MANUFACTURE OF SALE OF APPARATUS WITHOUT WRITTEN PERMISSION.

DRAWN:
M. SIGMON

DATE:
07-06-15

CHECKED:

DATE:

NorComp

SCALE: SHEET **2** OF **2** REV **0**

DWG NO. **972-009-01SRYY1**