

INTERFACE CIRCUITS

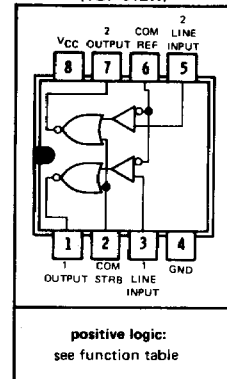
TYPES SN55140, SN55141, SN55142, SN55143, SN75140, SN75141, SN75142, SN75143 DUAL LINE RECEIVERS

BULLETIN NO. DL-S 7712456, JANUARY 1977—REVISED AUGUST 1977

features common to all eight types

- Single 5-V Supply
- ± 100 mV Sensitivity
- For Applications As:
Single-Ended Line Receiver
Gated Oscillator
Level Comparator
- Adjustable Reference Voltage
- TTL Outputs
- TTL-Compatible Strobe
- Designed for Party-Line
(Data-Bus) Applications

SN55140, SN55141 . . .
JG DUAL-IN-LINE PACKAGE
SN75140, SN75141 . . .
JG OR P DUAL-IN-LINE PACKAGE
(TOP VIEW)



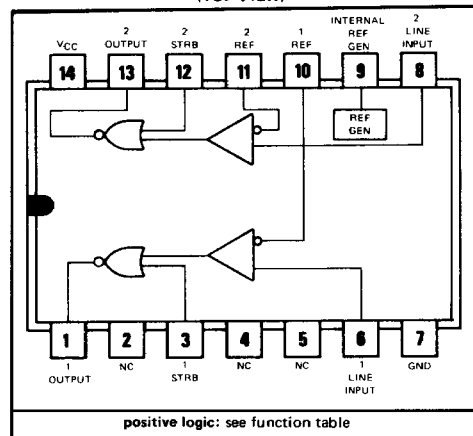
features of '140 and '141

- Common Reference Pin
- Common Strobe
- '141 Has Diode-Protected
Input Stage for Power-Off
Condition

features of '142 and '143

- Individual Reference Pins
- Individual Strobes
- Internal 2.5-Volt Reference
Available
- '143 Has Diode-Protected
Input Stage for Power-Off
Condition

SN55142, SN55143 . . . J DUAL-IN-LINE PACKAGE
SN75142, SN75143 . . . J OR N DUAL-IN-LINE PACKAGE
(TOP VIEW)



description

Each of these devices consists of a dual single-ended line receiver with TTL-compatible strobes and outputs. The reference voltage (switching threshold) is applied externally and can be adjusted from 1.5 volts to 3.5 volts, making it possible to optimize noise immunity for a given system design. A 2.5-volt internal reference is available for use on the '142 and '143. Due to its low input current (less than 100 microamperes), it is ideally suited for party-line (bus-organized) systems.

The '140 has a common reference voltage pin and a common strobe. The '141 is the same as the '140 except that the input stage is diode protected. Each receiver of the '142 has an individual reference voltage pin and an individual strobe. The '143 is the same as the '142 except that the input stage is diode protected. The internal reference voltage of the '142 and '143 can be externally adjusted with a single resistor from 1.5 volts to 3.5 volts.

NC—No internal connection

Pin 2 must be left open on parts date-coded 7736 or lower.

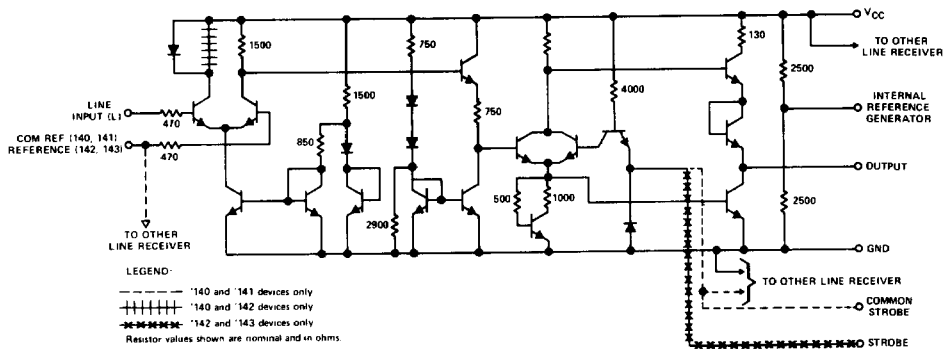
FUNCTION TABLE
(EACH RECEIVER)

LINE INPUT	STROBE	OUTPUT
$\leq V_{ref} - 100$ mV	L	H
$\geq V_{ref} + 100$ mV	X	L
X	H	L

H = high level, L = low level, X = irrelevant

TYPES SN55140, SN55141, SN55142, SN55143, SN75140, SN75141, SN75142, SN75143 DUAL LINE RECEIVERS

schematic (each receiver)



absolute maximum ratings over operating free-air temperature range (unless otherwise noted)

Supply voltage, V_{CC} (see Note 1)	7 V
Reference input voltage, V_{ref}	5.5 V
Line input voltage with respect to ground	-2 V to 5.5 V
Line input voltage with respect to V_{ref}	± 5 V
Strobe input voltage	5.5 V
Continuous total dissipation at (or below) 25°C free-air temperature (see Note 2)	600 mW
Operating free-air temperature range: SN55' Circuits	-55°C to 125°C
SN75' Circuits	0°C to 70°C
Storage temperature range	-65°C to 150°C
Lead temperature 1/16 inch from case for 60 seconds: J or JG package	300°C
Lead temperature 1/16 inch from case for 10 seconds: N or P package	260°C

- NOTES: 1. Unless otherwise specified, voltage values are with respect to network ground terminal.
2. For operation above 25°C free-air temperature, refer to Dissipation Derating Curves in the Thermal Information section, which starts on page 18. In the J and JG packages, these chips are glass-mounted.

recommended operating conditions

	SN55' CIRCUITS			SN75' CIRCUITS			UNIT
	MIN	NOM	MAX	MIN	NOM	MAX	
Supply voltage, V_{CC}	4.5	5	5.5	4.5	5	5.5	V
Reference input voltage, V_{ref}	1.5		3.5	1.5		3.5	V
Input voltage, line or strobe, V_I	0		5.5	0		5.5	V
Operating free-air temperature, T_A	-55		125	0		70	°C

TYPES SN55140, SN55141, SN55142, SN55143, SN75140, SN75141, SN75142, SN75143 DUAL LINE RECEIVERS

electrical characteristics over recommended operating free-air temperature range,
 $V_{CC} = 5\text{ V} \pm 10\%$, $V_{ref} = 1.5\text{ V to } 3.5\text{ V}$ (unless otherwise noted)

PARAMETER		TEST CONDITIONS	MIN	TYP†	MAX	UNIT		
$V_{IH(L)}$	High-level line input voltage		$V_{ref} + 100$			mV		
$V_{IL(L)}$	Low-level line input voltage		$V_{ref} - 100$			mV		
$V_{IH(S)}$	High-level strobe input voltage		2			V		
$V_{IL(S)}$	Low-level strobe input voltage		0.8			V		
V_{OH}	High-level output voltage	$V_{IL(L)} = V_{ref} - 100\text{ mV}$, $V_{IL(S)} = 0.8\text{ V}$, $I_{OH} = -400\text{ }\mu\text{A}$	2.4			V		
V_{OL}	Low-level output voltage	$V_{IH(L)} = V_{ref} + 100\text{ mV}$, $V_{IL(S)} = 0.8\text{ V}$, $I_{OL} = 16\text{ mA}$			0.4	V		
		$V_{IL(L)} = V_{ref} - 100\text{ mV}$, $V_{IH(S)} = 2\text{ V}$, $I_{OL} = 16\text{ mA}$			0.4			
$V_{IK(S)}$	Strobe input clamp voltage	$I_I(S) = -12\text{ mA}$			-1.5	V		
$I_I(S)$	Strobe input current at maximum input voltage	Strobe	$V_I(S) = 5.5\text{ V}$		1	mA		
		Com strb			2			
I_{IH}	High-level input current	Strobe	$V_I(S) = 2.4\text{ V}$		40	μA		
		Com strb			80			
		Line input	$V_I(L) = V_{CC}$, $V_{ref} = 1.5\text{ V}$		35			
		Reference	$V_I(L) = 0\text{ V}$, $V_{ref} = 3.5\text{ V}$		35			
I_{IL}	Low-level input current	Com ref			70	200		
		Strobe	$V_I(S) = 0.4\text{ V}$		-1.6	mA		
		Com strb			-3.2			
		Line input	$V_I(L) = 0\text{ V}$, $V_{ref} = 1.5\text{ V}$		-10	μA		
Reference	$V_I(L) = 1.5\text{ V}$, $V_{ref} = 0\text{ V}$		-10					
V_{gen}	Internal reference Generator voltage	'142, '143	$V_{CC} = 5\text{ V}$, $I_{gen} = 0$		2.3	2.5	2.7	V
			$V_{CC} = 5\text{ V}$, $I_{gen} = 70\text{ }\mu\text{A}$		2.4			
I_{OS}	Short-circuit output current†	$V_{CC} = 5.5\text{ V}$			-18	-55	mA	
I_{CCH}	Supply current, output high	$V_I(S) = 0\text{ V}$, $V_I(L) = V_{ref} - 100\text{ mV}$			18	30	mA	
I_{CCL}	Supply current, output low	$V_I(S) = 0\text{ V}$, $V_I(L) = V_{ref} + 100\text{ mV}$			20	35	mA	

† All typical values are at $V_{CC} = 5\text{ V}$, $T_A = 25^\circ\text{C}$.

‡ Only one output should be shorted at a time.

switching characteristics, $V_{CC} = 5\text{ V}$, $V_{ref} = 2.5\text{ V}$, $T_A = 25^\circ\text{C}$

PARAMETER		TEST CONDITIONS	MIN	TYP	MAX	UNIT
$t_{PLH(L)}$	Propagation delay time, low-to-high-level output from line input	$C_L = 15\text{ pF}$, $R_L = 400\text{ }\Omega$, See Figure 1		22	35	ns
$t_{PHL(L)}$	Propagation delay time, high-to-low-level output from line input			22	30	
$t_{PLH(S)}$	Propagation delay time, low-to-high-level output from strobe input			12	22	ns
$t_{PHL(S)}$	Propagation delay time, high-to-low-level output from strobe input			8	15	

TYPES SN55140, SN55141, SN55142, SN55143, SN75140, SN75141, SN75142, SN75143 DUAL LINE RECEIVERS

PARAMETER MEASUREMENT INFORMATION

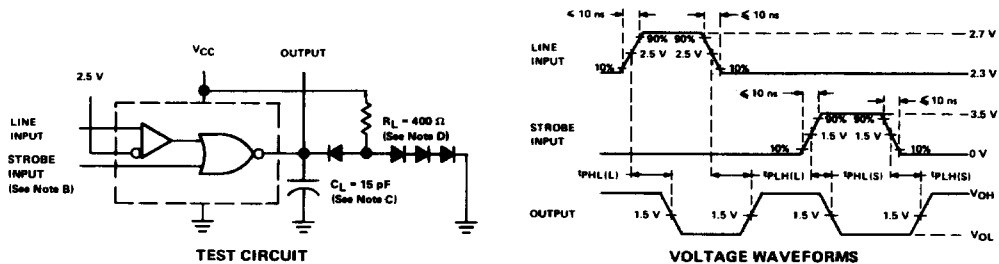


FIGURE 1

- NOTES: A. Input pulses are supplied by generators having the following characteristics: PRR = 1 MHz, duty cycle $\leq 50\%$, $Z_{out} \approx 50 \Omega$.
 B. Unused strobe is to be open or high.
 C. C_L includes probe and jig capacitance.
 D. All diodes are 1N3064.

TYPICAL CHARACTERISTICS

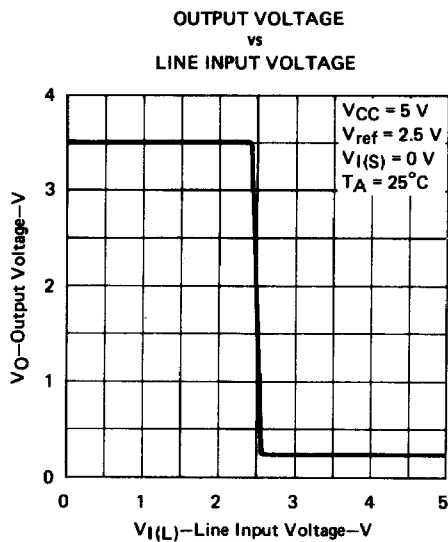
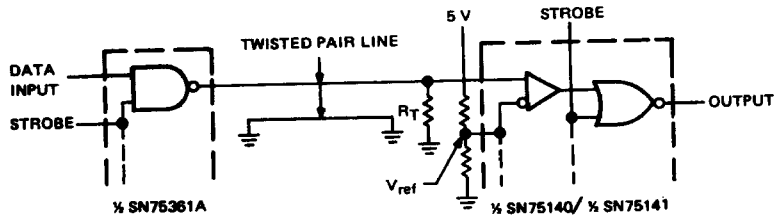


FIGURE 2

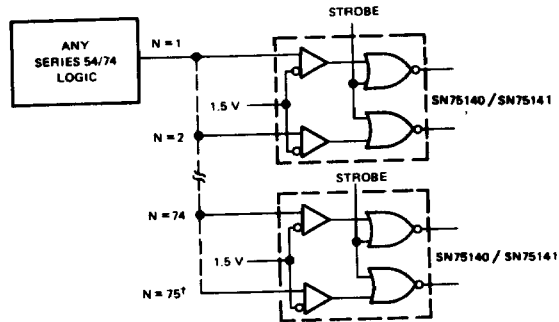
TYPES SN55140, SN55141, SN55142, SN55143, SN75140, SN75141, SN75142, SN75143 DUAL LINE RECEIVERS

TYPICAL APPLICATION DATA

line receiver

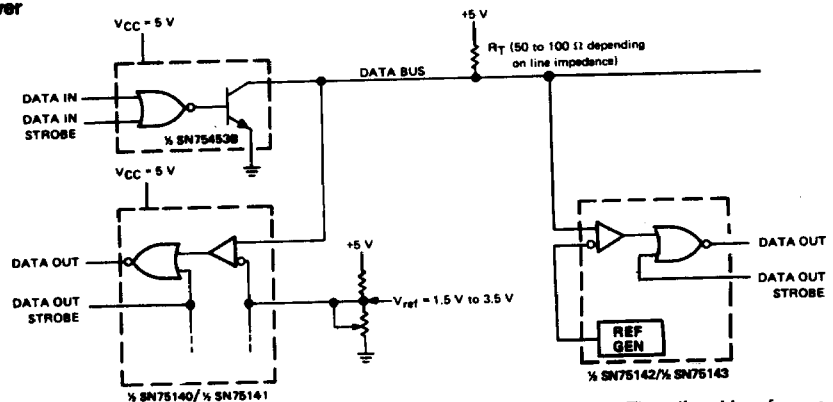


high fan-out from standard TTL gate



[†] Although most Series 54/74 circuits have a guaranteed 2.4-V output at 400 μ A, they are typically capable of maintaining a 2.4-V output level under a load of 7.5 mA.

dual bus transceiver

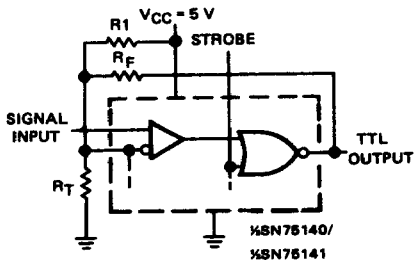


Using this arrangement, as many as 100 transceivers can be connected to a single data bus. The adjustable reference voltage feature allows the noise margin to be optimized for a given system. The complete dual bus transceiver (SN75453B driver and SN75140 receiver) can be assembled in approximately the same space required by a single 16-pin package, and only one power supply is required (+5 V). Data In and Data Out terminals are TTL compatible.

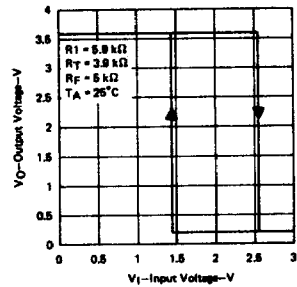
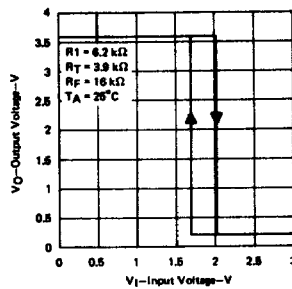
TYPES SN55140, SN55141, SN55142, SN55143, SN75140, SN75141, SN75142, SN75143 DUAL LINE RECEIVERS

TYPICAL APPLICATION DATA

Schmitt trigger

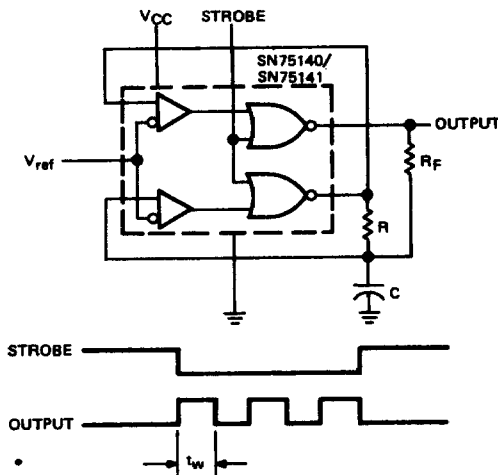


EXAMPLES OF TRANSFER CHARACTERISTICS

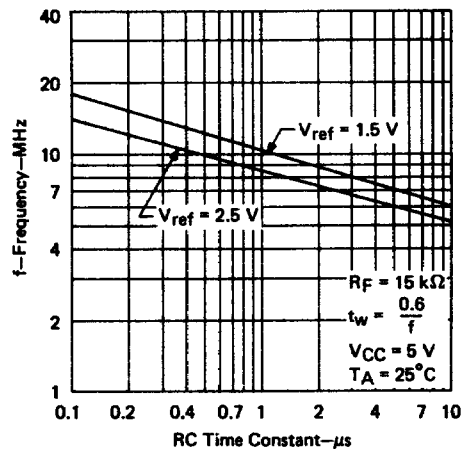


Slowly changing input levels from data lines, optical detectors, and other types of transducers may be converted to standard TTL signals with this Schmitt trigger circuit. R₁, R_F and R_T may be adjusted for the desired hysteresis and trigger levels.

gated oscillator



OSCILLATOR FREQUENCY vs RC TIME CONSTANT



**TYPES SN55140, SN55141, SN55142, SN55143,
SN75140, SN75141, SN75142, SN75143
DUAL LINE RECEIVERS**

TYPICAL APPLICATION DATA

level detector

