

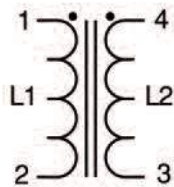
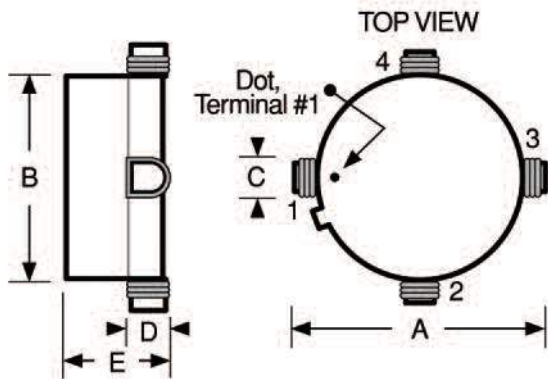
SERIES

CM6296R CM6296

RoHS
Compliant
Traditional
First Quality

Common Mode Choke/Isolation Transformer

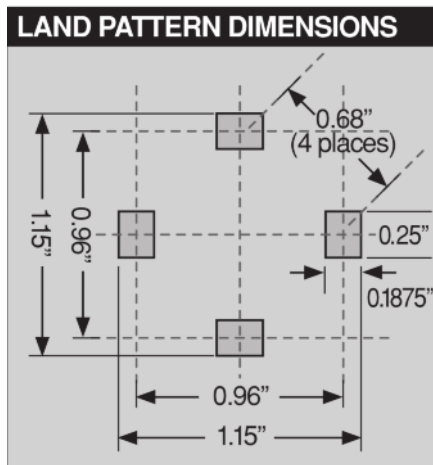
DASH NUMBER*
L1 or L2 INDUCTANCE
±23% (µH)
DC RESISTANCE
MAXIMUM (OHMS)
RATED RMS CURRENT
(AMPS) MAXIMUM
LEAKAGE INDUCTANCE
TYPICAL (µH)
Suppressors



Actual Size

| SERIES CM6296 FERRITE CORE | | | | |
|----------------------------|------|-------|------|------|
| -253 | 25 | 0.014 | 10.0 | 0.7 |
| -503 | 50 | 0.014 | 10.0 | 0.8 |
| -104 | 100 | 0.016 | 9.5 | 1.4 |
| -154 | 150 | 0.016 | 9.5 | 1.8 |
| -204 | 200 | 0.016 | 8.5 | 2.2 |
| -304 | 300 | 0.020 | 7.5 | 3.3 |
| -454 | 450 | 0.024 | 6.5 | 4.6 |
| -654 | 650 | 0.030 | 5.5 | 6.2 |
| -105 | 1000 | 0.050 | 3.5 | 9.3 |
| -155 | 1500 | 0.090 | 2.5 | 14.5 |
| -255 | 2500 | 0.162 | 2.2 | 21.8 |

*Complete part # must include series # PLUS the dash #



Physical Parameters

| | Inches | Millimeters |
|---|---------------|--------------|
| A | 1.058 ± 0.010 | 26.87 ± 0.25 |
| B | 0.870 ± 0.010 | 22.10 ± 0.25 |
| C | 0.210 Typ. | 5.33 Typ. |
| D | 0.200 Typ. | 5.08 Typ. |
| E | 0.430 Max. | 10.74 Max. |

Mechanical Configuration Flat top surface mount case with excellent coplanarity of terminals

Operating Temperature -55°C to +125°C

Configuration Two inductors per unit; internal terminals: #1 (start)-#2 (finish) & #4 (start) -#3 (finish)

Electrical Configuration

- 1) Inductance and DCR in table is for either L1 or L2
- 2) Leakage Inductance tested at L1 with L2 shorted or at L2 with L1 shorted.
- 3) Windings balanced within 2%
- 4) Inductance tested @ 1.0kHz

Rated RMS Current Per Winding Based Upon 20°C temperature rise from 25°C ambient

Maximum Power Dissipation at 25°C 2.5 Watts

Dielectric Withstanding Voltage

500 V RMS, 60Hz

Marking DELEVAN; part number, inductance with units. A white dot indicates the location of pin 1.

Example: CM6296R-155
DELEVAN
CM6296R-155
1500 uH

Packaging Bulk only

Weight (Grams) 9.0 (Ref.)