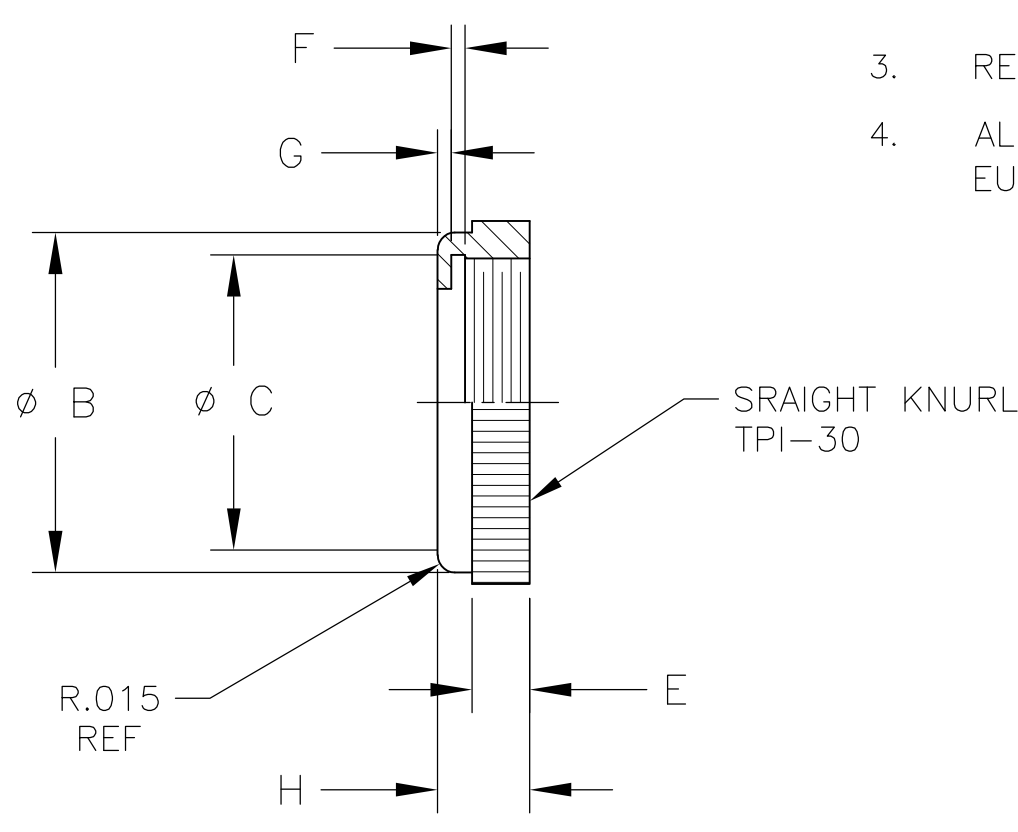
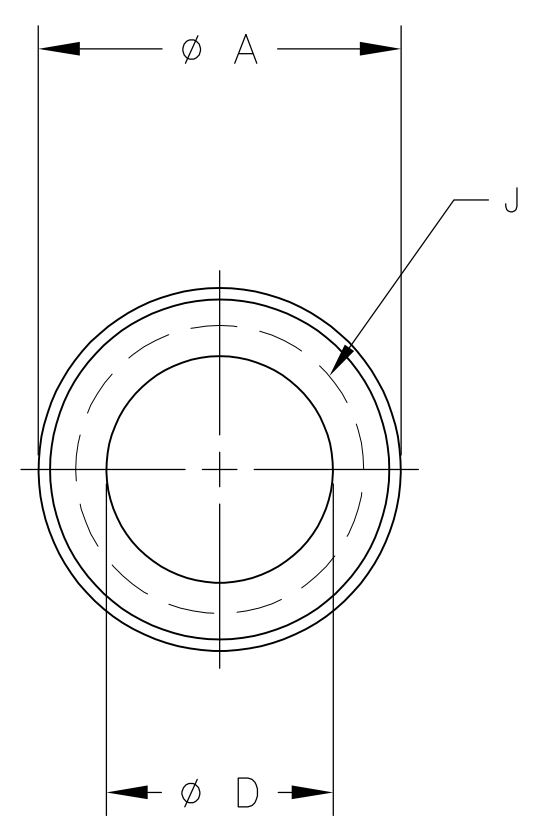


THIS DRAWING IS UNPUBLISHED. RELEASED FOR PUBLICATION
 © COPYRIGHT BY TYCO ELECTRONICS CORPORATION. ALL RIGHTS RESERVED.

LOC AD	DIST 00	REVISIONS			
P	LTR	DESCRIPTION	DATE	DWN	APVD
	A	ECO-07-015365	12JUL07	MB	MW



- 1 FREE MACHINING BRASS
- 2 200 MICRINCHES MIN BRIGHT NICKEL
- 3. REMOVE ALL BURRS AND SHARP EDGES
- 4. ALL MATERIALS AND FINISHES SHALL COMPLY WITH EU DIRECTIVE 2002/95/EC OF 27JAN2003 (ROHS)

15/32-32 UNS-2B	0.14	0.015	0.015	0.110	0.39	0.490	0.53	0.56	2	1	N1B04	1825622-2
1/4-40 UNS-2B	0.08	0.012	0.012	0.050	0.19	0.256	0.29	0.31	2	1	N1A04	1825622-1
J	H	G	F	E	D	C	B	A	FINISH	MATERIAL	ALCO PART NUMBER	PART NUMBER

THIS DRAWING IS A CONTROLLED DOCUMENT.

DWN M.BINNER 12JUL2007	Tyco Electronics Corporation Harrisburg, PA 17105-3608			
CHK M.WILBOURN 12JUL07				
APVD M.WILBOURN 12JUL07				
NAME DECORATIVE NUT				
PRODUCT SPEC -	SIZE A3	CAGE CODE 00779	DRAWING NO C-1825622	RESTRICTED TO -
APPLICATION SPEC -	CUSTOMER DRAWING			SCALE 5:1
MATERIAL 1	FINISH 2	SHEET 1 OF 1		REV A