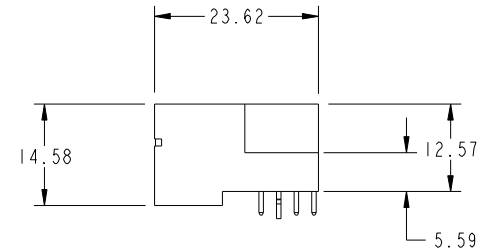
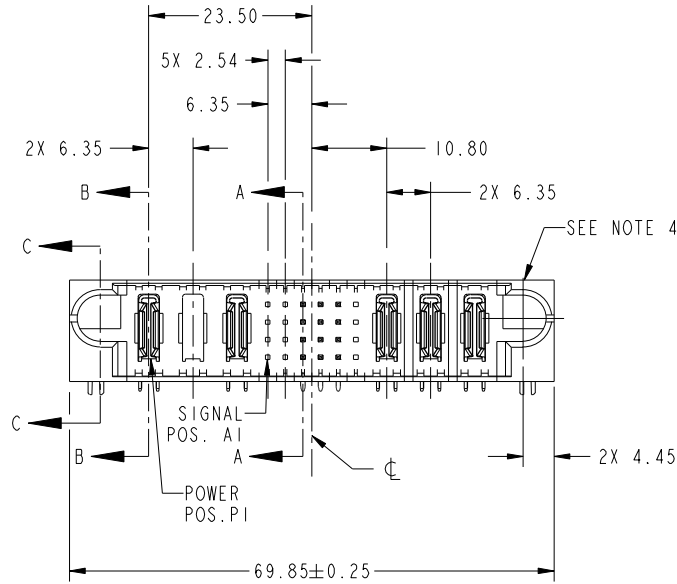


Tous droits strictement réservés. Reproduction ou communication a des tiers interdite sous quelque forme que ce soit sans autorisation écrite du propriétaire. Propriété de c FCI. Droits de reproduction FCI.



All rights strictly reserved. Reproduction or issue to third parties in any form whatever is not permitted without written authority from the proprietor. Property of FCI. Copyright FCI.

PRODUCT NO.	ROWS	POWER			SIGNAL						POWER			E2		
		E1	P1	P2	P3	1	2	3	4	5	6	P4	P5		P6	
51939-331... NOTE 3	D C B A															



CODE	DIM "M" MATING LENGTH	CONTACT TYPE
PA	[N/A]	POWER
HA	[N/A]	HOLD-DOWN
R	[6.86]	SIGNAL
S	[6.86]	SIGNAL
T	[6.86]	SIGNAL
U	[6.86]	SIGNAL
X	OMITTED	

mat'l code				SEE NOTE 2		tolerances unless otherwise specified		CUSTOMER		FCI	
ltr	ecn no.	dr	date	linear	0.X ±0.3	projection		COPY		www.fciconnect.com	
A	DG07-0476	SH	11/27/07	angles	0.XX ±0.13	MIM		title		3P + 24S + 3P	
				dr	0.XXX ±0.051	scale		product family		PwrBlade	
				enr	0° ±2°	1:1		size		code	
				chr	Sincere He 11/23/07			dwg no		213	
				appd	Sincere He 11/23/07			A		51939-331	
					Gary Hsieh 11/23/07					sheet	
					Joseph Hsia 11/23/07					1 of 4	
sheet index	revision sheet	A	A	A	A					B	
		1	2	3	4						

cage code 22526

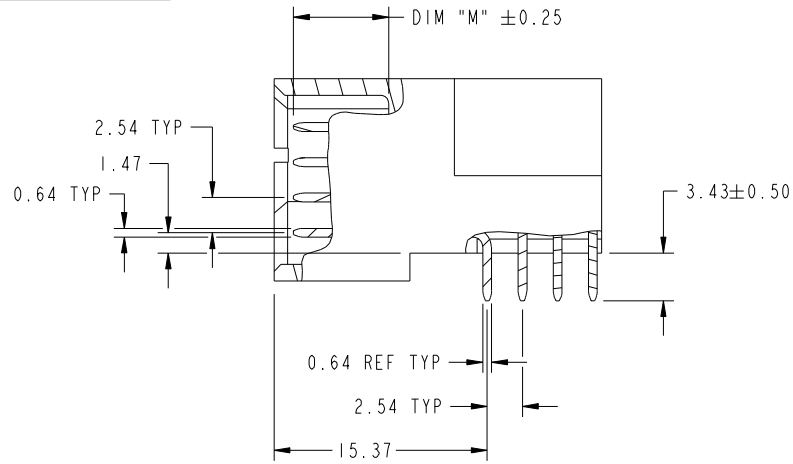
Pro/E

Tous droits strictement reserves. Reproduction ou communication a des tiers interdite sous quelque forme que ce soit sans autorisation ecrite du proprietaire. Propriete de c FCI. Droits de reproduction FCI.

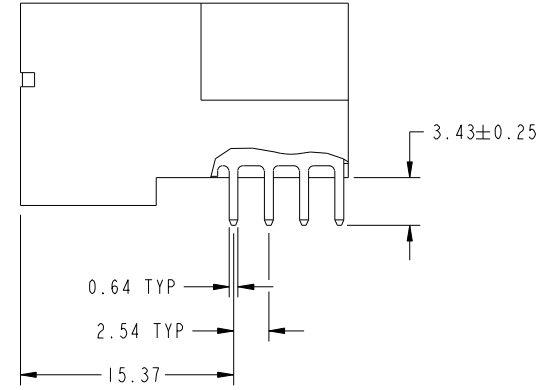
All rights strictly reserved. Reproduction or issue to third parties in any form whatever is not permitted without written authority from the proprietor. Property of FCI. Copyright FCI.



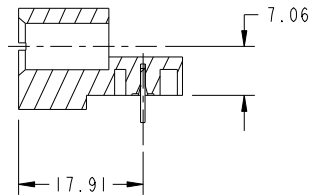
PRODUCT NUMBER  
51939-331--  
NOTE: 3



BROKEN-OUT SECTION A-A  
SCALE 2:1



BROKEN-OUT SECTION B-B  
SCALE 2:1



SECTION C-C

mat'l code				SEE NOTE 2		tolerances unless otherwise specified		CUSTOMER		FCI	
ltr	ecr no.	dr	date	linear	0.X ±0.3	COPY		projection		www.fciconnect.com	
A					0.XX ±0.13	MIM		title		3P + 24S + 3P	
				angles	0.XXX ±0.051	1:1		product family		PwrBlade	
				dr	0° ±2°	scale		size		code	
				enr	Sincere He 11/23/07	A		dwg no		213	
				chr	Sincere He 11/23/07	A		51939-331		sheet	
				appd	Gary Hsieh 11/23/07	A		2 of 4			
					Joseph Hsia 11/23/07						
sheet index		revision sheet									

cage code 22526

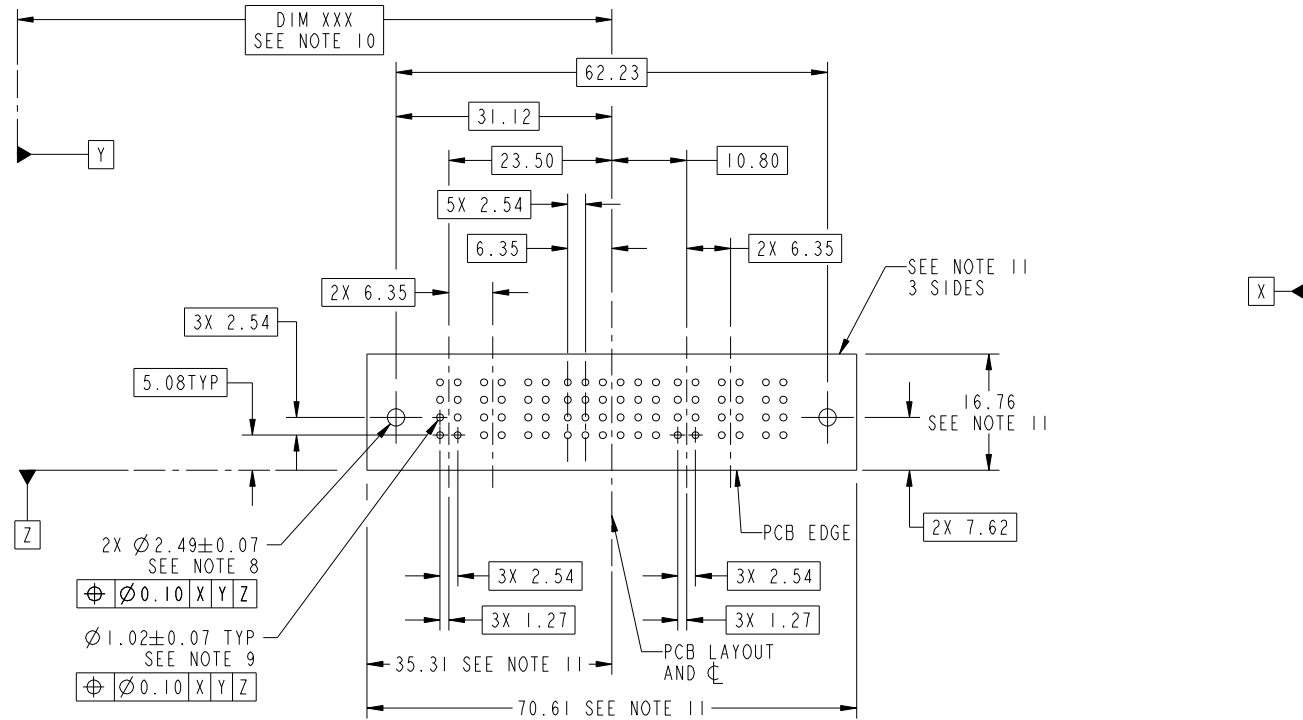
Pro/E

Tous droits strictement reserves. Reproduction ou communication a des tiers interdite sous quelque forme que ce soit sans autorisation écrite du propriétaire. Propriete de c FCI. Droits de reproduction FCI.



All rights strictly reserved. Reproduction or issue to third parties in any form whatever is not permitted without written authority from the proprietor. Property of FCI. Copyright FCI.

PRODUCT NUMBER  
51939-331--  
NOTE: 3



RECOMMENDED PCB LAYOUT

mat'l code				SEE NOTE 2		tolerances unless otherwise specified		CUSTOMER		FCI	
ltr	ecn no.	dr	date	linear	0.X ± 0.3	COPY		www.fciconnect.com		title	
A					0.XX ± 0.13	projection		3P + 24S + 3P		RIGHT ANGLE SOLDER HEADER	
				angles	0.XXX ± 0.051			product family		PwrBlade	code
				dr	Sincere He 11/23/07			size		dwg no	213
				enr	Sincere He 11/23/07	scale		A		51939-331	sheet
				chr	Gary Hsieh 11/23/07	1:1					3 of 4
				appd	Joseph Hsia 11/23/07						
sheet index		revision sheet									

cage code 22526

Pro/E

Tous droits strictement reserves. Reproduction ou communication a des tiers interdite sous quelque forme que ce soit sans autorisation écrite du propriétaire. Propriete de c FCI. Droits de reproduction FCI.



All rights strictly reserved. Reproduction or issue to third parties in any form whatever is not permitted without written authority from the proprietor. Property of FCI. Copyright FCI.

PRODUCT NUMBER  
51939-331--  
NOTE: 3

NOTES:

1. DIMENSIONS AND TOLERANCES ARE IN ACCORDANCE WITH ASME Y14.5M, 1994 UNLESS OTHERWISE SPECIFIED.

CONNECTOR NOTES:

- 2. HOUSING MATERIAL: UL 94 V-0 GLASS FILLED  
HIGH-TEMP THERMOPLASTIC  
POWER CONTACT MATERIAL: COPPER ALLOY  
SIGNAL PIN MATERIAL: COPPER ALLOY
- 3. 51939-331; 51939-331LF PLATING SPEC. SEE PRINT:10064183
- 4. MANUFACTURER'S NAME, P/N, AND DATE CODE TO APPEAR ON THIS SURFACE.
- 5. PRODUCT SPECIFICATION GS-12-149.  
APPLICATION SPECIFICATION BUS-20-067.
- 6. PACKAGED IN TRAYS.

PCB NOTES:

- 7. ALL HOLE DIAMETERS ARE FINISHED HOLE SIZE.
- 8. MOUNTING HOLES, WHERE APPLICABLE, ARE UNPLATED.
- 9.  $\varnothing 1.151 \pm 0.025$  DRILLED HOLES PLATED WITH  
0.008 MIN SnPb OR Sn OVER 0.03  
TO 0.08 Cu PLATING TO ACHIEVE  
 $\varnothing 1.02 \pm .07$  HOLE.
- 10. "DIM XXX" TO BE DETERMINED BY THE CUSTOMER.
- 11. CONNECTOR KEEP-OUT ZONE.

mat'l code		SEE NOTE 2		tolerances unless otherwise specified		CUSTOMER		FCI	
ltr	ecn no.	dr	date	linear	0.X ± 0.3	COPY		www.fciconnect.com	
A				linear	0.XX ± 0.13	projection		title	
				angles	0.XXX ± 0.051			3P + 24S + 3P RIGHT ANGLE SOLDER HEADER	
				dr	0° ± 2°			product family PwrBlade code	
				enr	Sincere He 11/23/07	scale		size	
				chr	Sincere He 11/23/07	1:1		dwg no	
				appd	Gary Hsieh 11/23/07	A		51939-331	
					Joseph Hsia 11/23/07			sheet	
sheet index	revision sheet							4 of 4	

cage code 22526

Pro/E