

LOC	DIST	REVISIONS					
A	00	P	LTR	DESCRIPTION	DATE	DWN	APVD
			A2	SEE PRODUCT DRAWING	4-2014	MY	GB


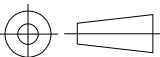
SEE CUSTOMER ACCESSIBLE
 PRODUCTION DRAWING
 1426242

RELEASED FOR PUBLICATION

ALL RIGHTS RESERVED.

THIS DRAWING IS UNPUBLISHED.

© COPYRIGHT - By -

DIMENSIONS: INCHES	DWN	M.YOUNGER	08APR2014	MATERIAL	-	FINISH	-				
	CHK	G. BAILEY	08APR2014	 TE Connectivity							
TOLERANCES UNLESS OTHERWISE SPECIFIED:	APVD	G.BAILEY	08APR2014								
0 PLC ± -	PRODUCT SPEC			NAME							
1 PLC ± -	-			SIDE FEED HDM APPLICATOR							
2 PLC ± -	APPLICATION SPEC			-							
3 PLC ± -	-			SIZE	CAGE CODE	DRAWING NO	RESTRICTED TO				
4 PLC ± -	-			A4	00779	C-680621	-				
ANGLES ± -	WEIGHT			-							
				CUSTOMER DRAWING		SCALE	1:1	SHEET	1 OF 1	REV	A2