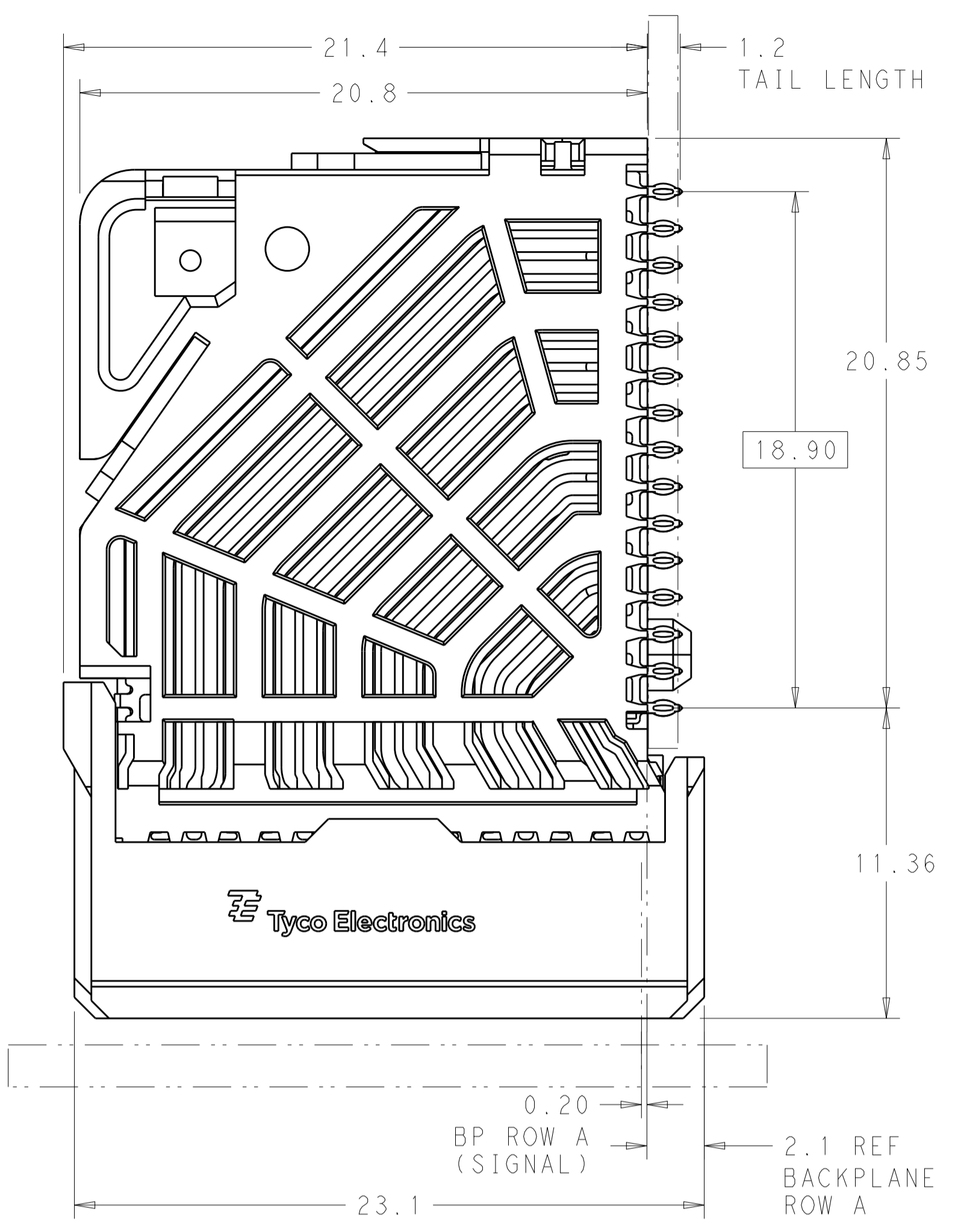
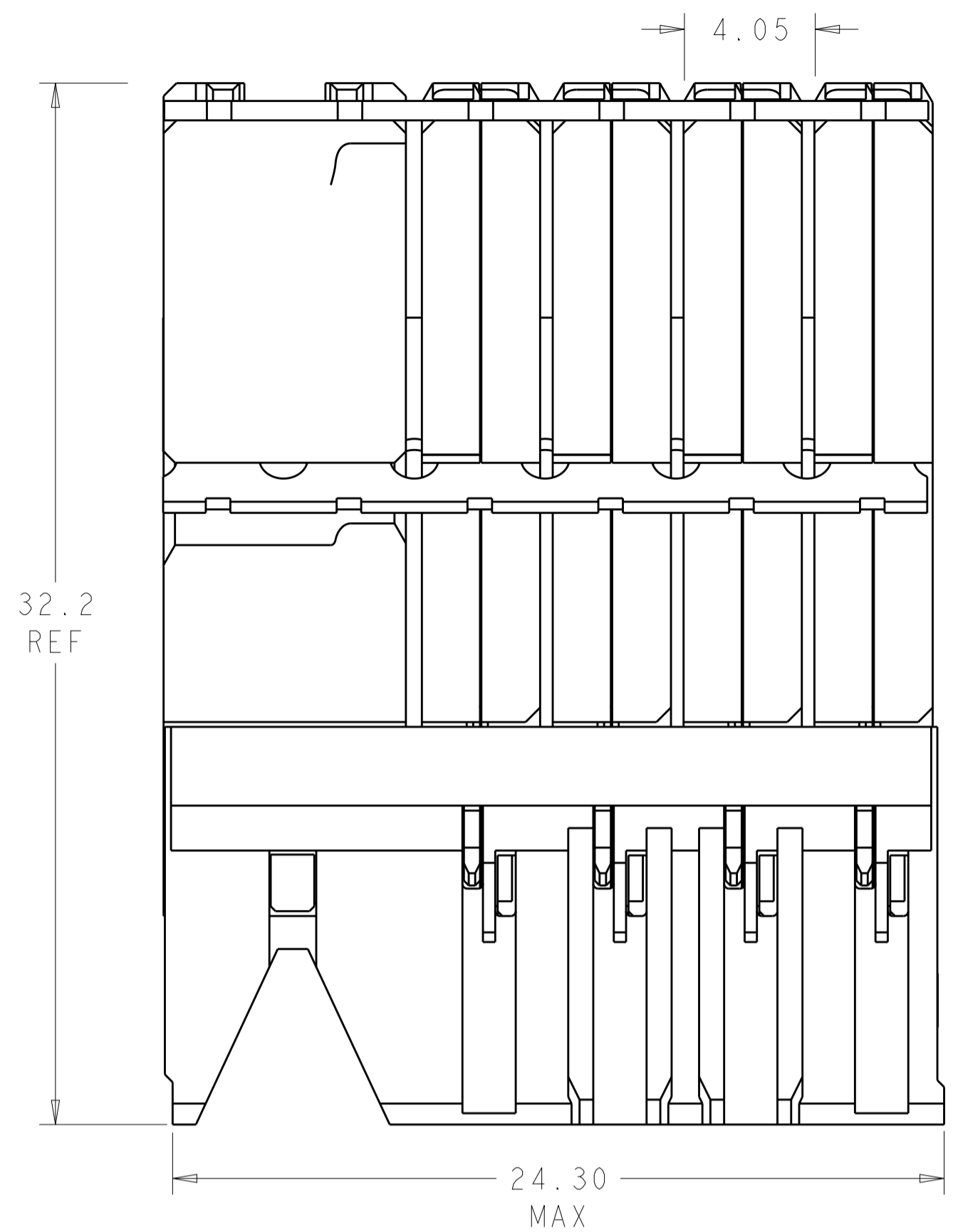
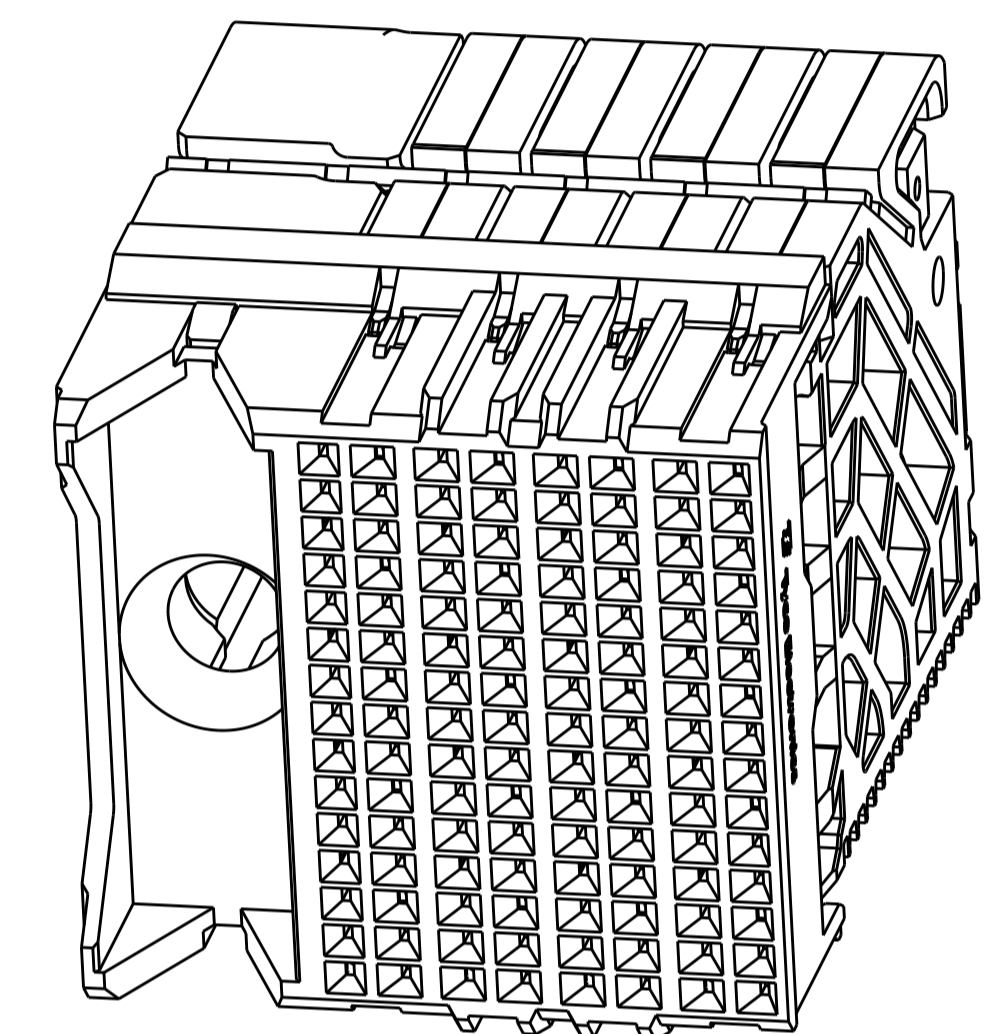


LOC	DIST	REVISIONS			
AD	00	REV	DATE	BY	APPV
		C	REVISED PER ECO-15-004915	10APR2015	AP DD

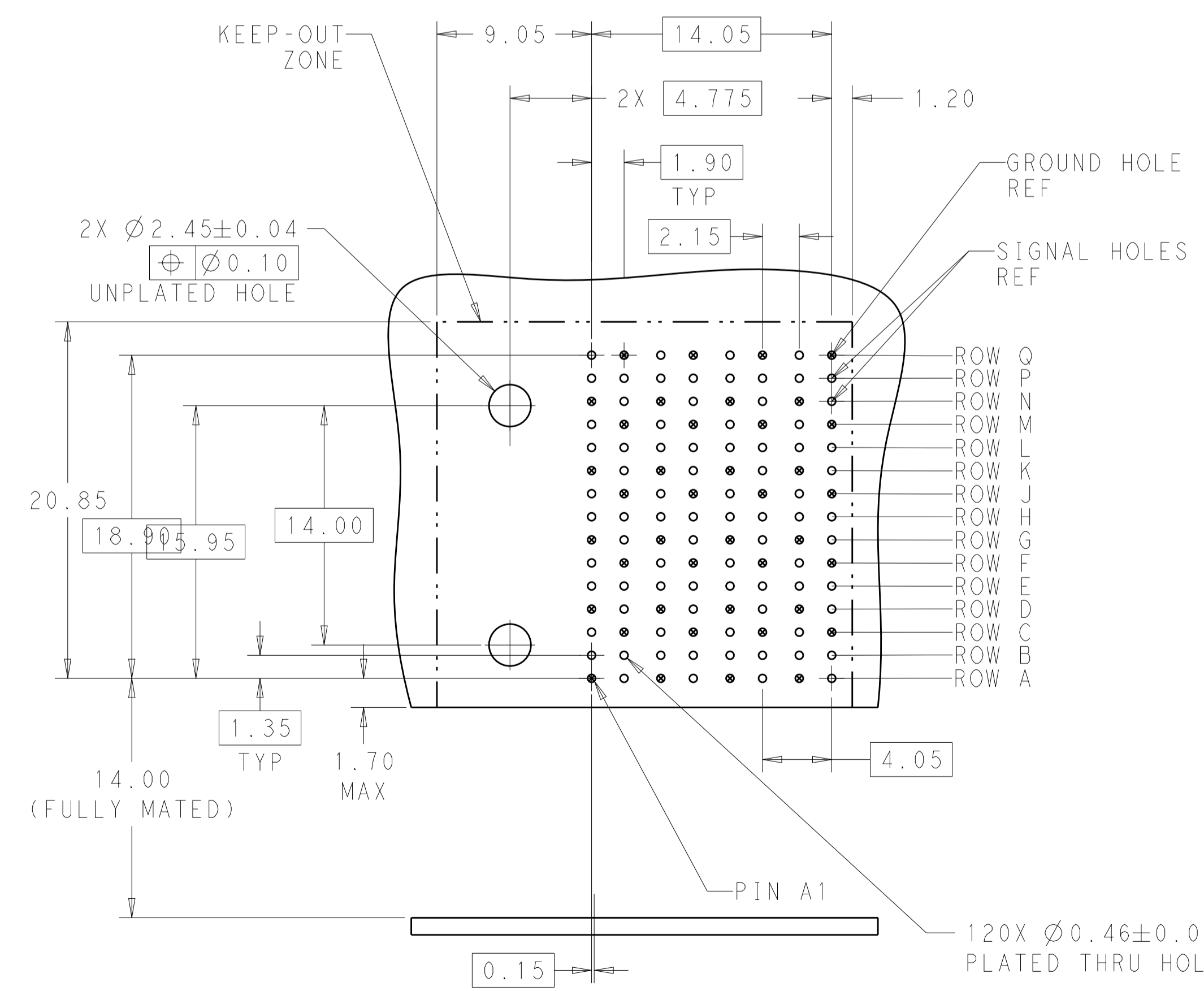
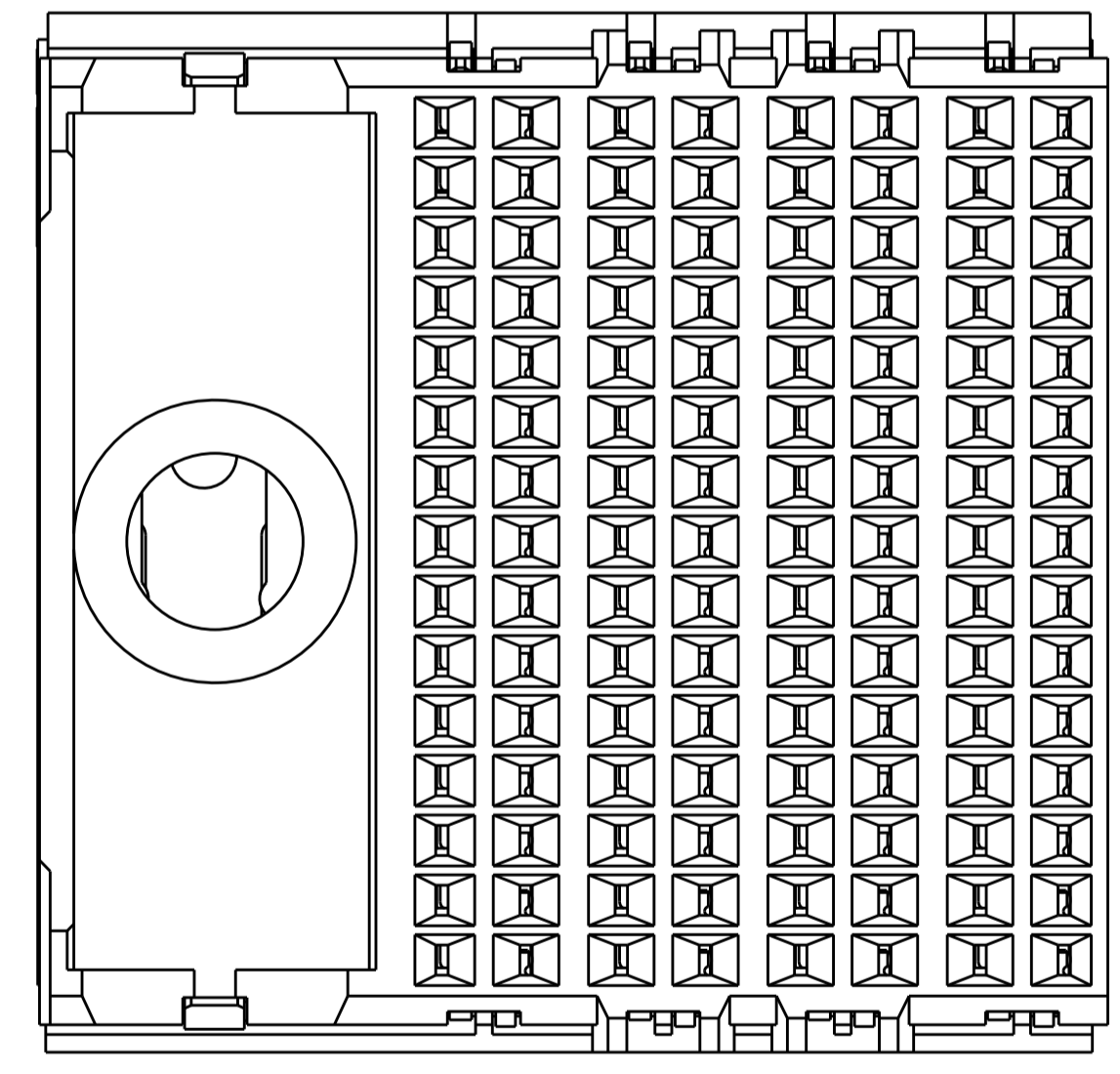


- ⚠ MATERIAL:  
HOUSING: LCP, GLASS FILLED, UL94V-0.  
TERMINALS: HIGH PERFORMANCE COPPER ALLOY.
- ⚠ FINISH:  
30µ" SELECTIVE GOLD IN CONTACT AREA. SELECTIVE TIN ON PCB TAILS, NICKEL OVERALL.
- 3. CONNECTORS SUPPLIED WITH MOUNTING SCREWS.



SCALE 4:1

REFER TO WWW.TE.COM FOR PRODUCT AVAILABILITY



120X Ø0.46±0.05 PLATED THRU HOLE  
120X Ø0.547±0.013 DRILL HOLE  
Ø0.10

OFFSET BETWEEN BOARD AND BACKPLANE HOLE COLUMNS

RECOMMENDED PCB LAYOUT  
MIN BOARD THICKNESS 1.0

NONE	⚠	2132699-1
KEY POSITION	FINISH	PART NUMBER

THIS DRAWING IS A CONTROLLED DOCUMENT.		DWN: 29APR2011		NAME: IMPACT. ORTHOGONAL, 5 PAIR, DAUGHTERCARD, 8 COLUMN, LEFT GUIDED, SIGNAL MODULE, 0.46 EYELET
DIMENSIONS: mm		CHK: D. DIXON 29APR2011		
TOLERANCES UNLESS OTHERWISE SPECIFIED:		APVD: D. DIXON 29APR2011		
0 PLC ± 1 PLC ±0.25 2 PLC ±0.15 3 PLC ± 4 PLC ± ANGLES ±		PRODUCT SPEC: APPLICATION SPEC: SIZE: CAGE CODE DRAWING NO: WEIGHT: CUSTOMER DRAWING		
MATERIAL: SEE TABLE		SCALE: 6:1	SHEET: 1 OF 1	REV: C