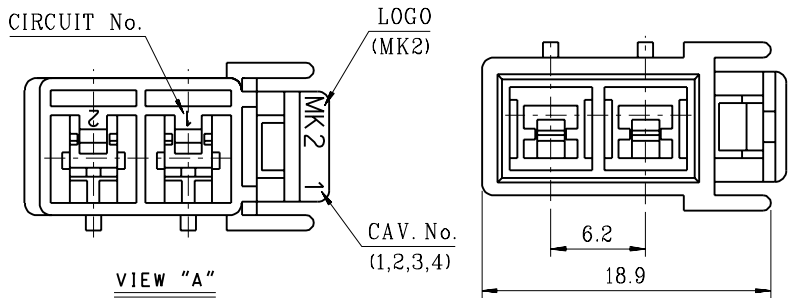
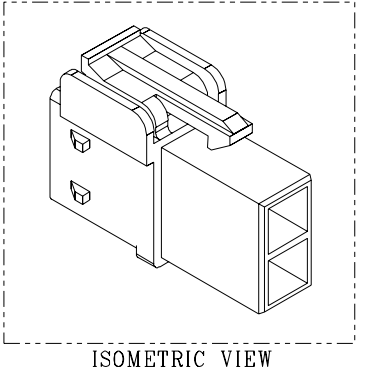
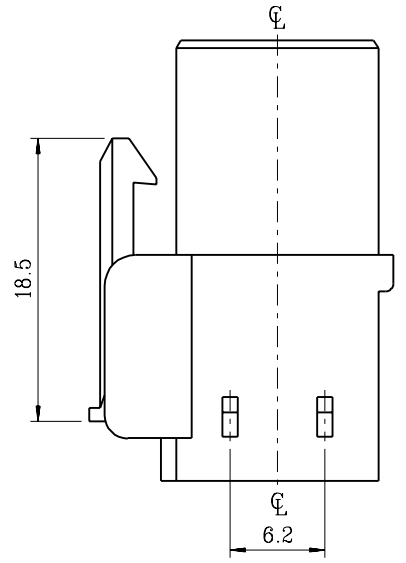
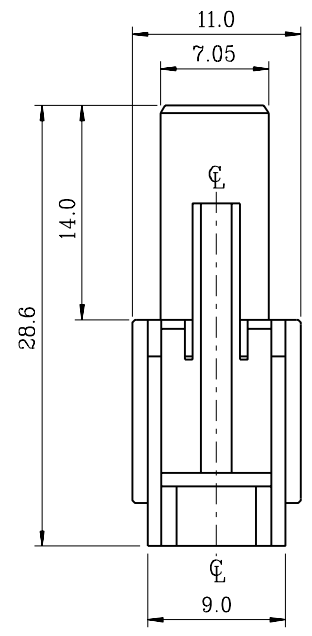
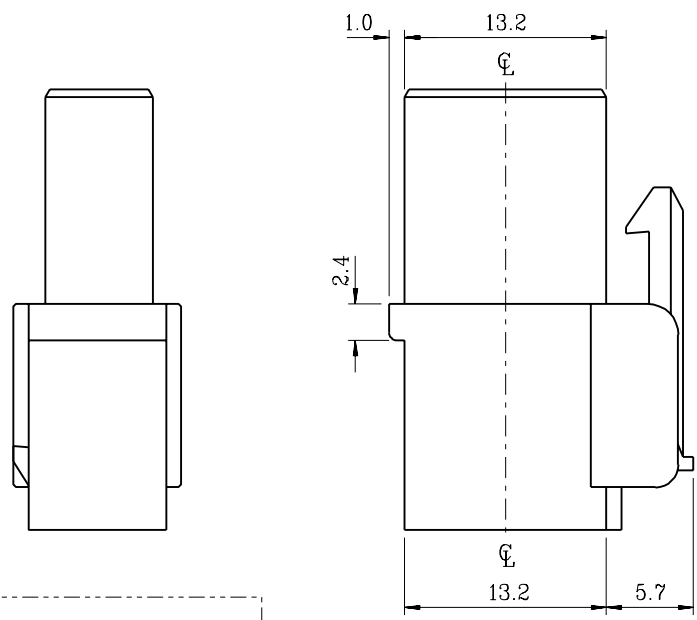


DWG. NO. SD 35525-001
 PROJECT NO. SIMILAR ITEM
 DO NOT SCALE DRAWING DIMENSION IN METRIC



- NOTES**
1. MATERIAL : POLYESTER(P.B.T), UL94V-0
 2. COLOR : 35525-0200 (NATURAL)
35525-0204 (BLUE)
 3. MATED HOUSING : 35524-092*
 4. APPLICABLE TERMINAL : 35745-0*10
 5. MATED T.P.A : 35150-029*



↑
"A"

REVISED ECN NO. KOR2002-0130 DRWN: C.B.CHIN 02/05/18 CHR: M.Y.YANG APPR: C.W.LEE	DESCRIPTION MAJOR : 0 CRITICAL : 0	QUALITY SYMBOLS MAJOR : 0 CRITICAL : 0		GENERAL TOLERANCES: (UNLESS SPECIFIED)		SCALE 3:1	DESIGN UNITS <input checked="" type="checkbox"/> mm <input type="checkbox"/> INCH	THIRD ANGLE PROJECTION	DIMENSIONS: <input type="checkbox"/> mm <input type="checkbox"/> INCH <input checked="" type="checkbox"/> mm ONLY		SHT REVISE ON CAD ONLY	REV
		4 PLACES ±0. ±. 3 PLACES ±0. ±. 2 PLACES ±0.3 ±. 1 PLACE ±0.3 ±.	ANGULAR: ± °	DRAFT WHERE APPLICABLE MUST REMAIN WITHIN DIMENSIONS		DRAWN BY & DATE J.S.KANG 97.06.20		CHECKED BY & DATE B.K.CHOI 97.06.20		APPROVED BY & DATE C.W.LEE 97.06.20		TITLE: .070 MULTI CONN' FEMALE HOUSING-2P
A2	REV	CAD FILENAME S35525.DGN		MATERIAL NO. SEE NOTES	DRAWING NO. SD-35525-001	MOLEX INCORPORATED		SHEET NO. 1 OF 1		SIZE B		
THIS DRAWING CONTAINS INFORMATION THAT IS PROPRIETARY TO MOLEX INCORPORATED AND SHOULD NOT BE USED WITHOUT WRITTEN PERMISSION.											KOREA MX-A3	