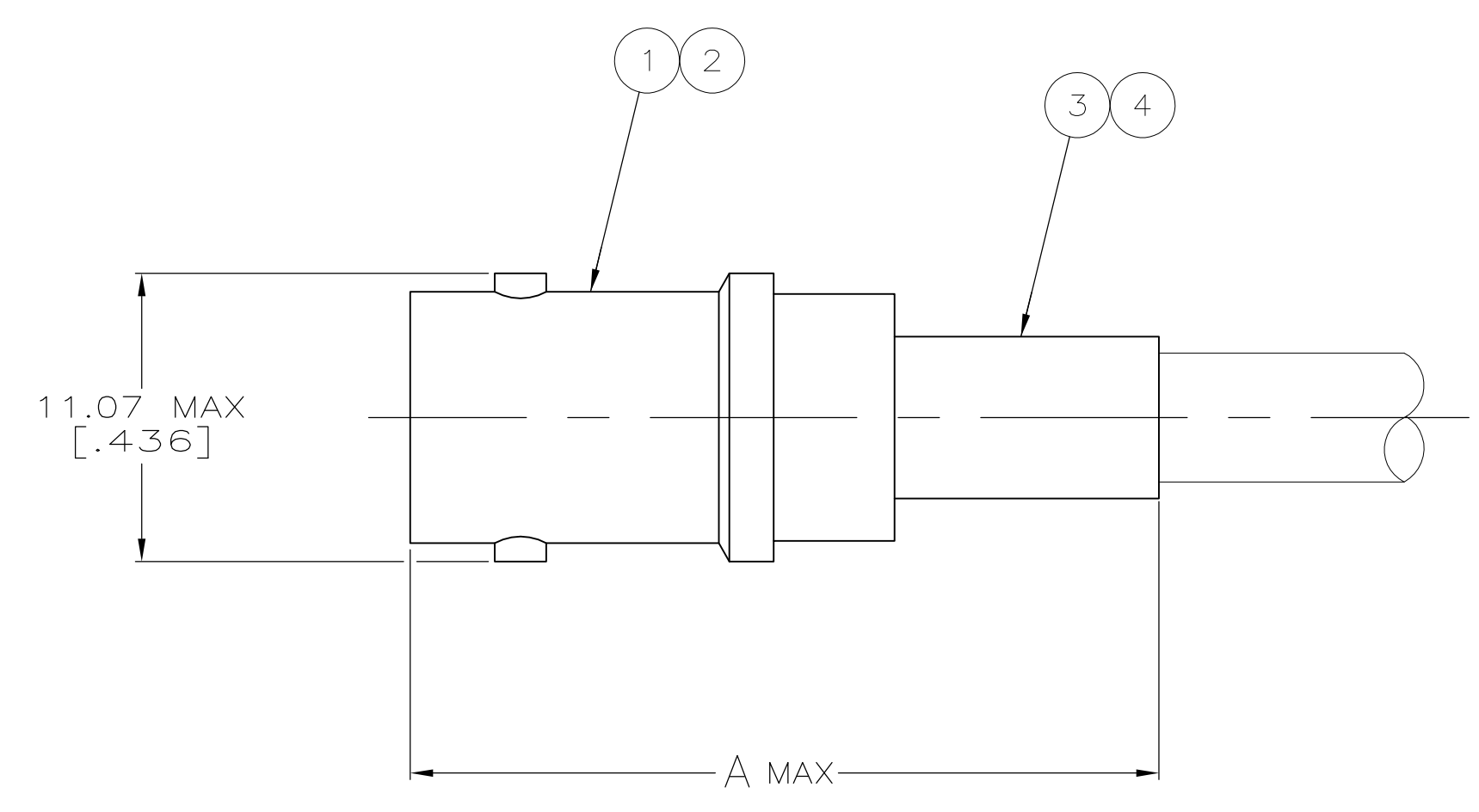


RECOMMENDED STRIP LENGTH



1. SEE I.S. 1914-2

RG-174/U & 188/U	30.48 [1.200]	220009-1	21427-2	9-328666-0	1-331368-2	2-331355-5	5225396-7
RG-59/U,59A/U,59B/U,62/U,62A/U & 62B/U	30.48 [1.200]	69477-1	-	9-50428-0	2-331368-3	2-331355-4	5225396-2
RG-58/U,58A/U,58B/U & 58C/U	30.48 [1.200]	69478-1	-	9-50427-1	1-331369-6	2-331355-3	5225396-1
CABLE SIZE	A	CRIMP TOOL	④ BUSHING QTY=1	③ FERRULE QTY=1	② CONTACT QTY=1	① JACK ASSY QTY=1	PART NUMBER

THIS DRAWING IS A CONTROLLED DOCUMENT.

DIMENSIONS: mm [INCHES]	TOLERANCES UNLESS OTHERWISE SPECIFIED:	DIN A. FERNANDEZ-DUCKS 31JAN2005	APVD J. LIPPERT 31JAN2005	NAME JACK, DUAL CRIMP, SERIES BNC
0 PLC ± -	1 PLC ± -	2 PLC ± -	3 PLC ± -	4 PLC ± -
ANGLES ± ± -	APPLICABLE SPEC			
MATERIAL	FINISH	WEIGHT	SIZE A1	CAGE CODE 00779
CUSTOMER DRAWING		SCALE 4:1	SHEET 1 of 1	REV P

STE TE Connectivity