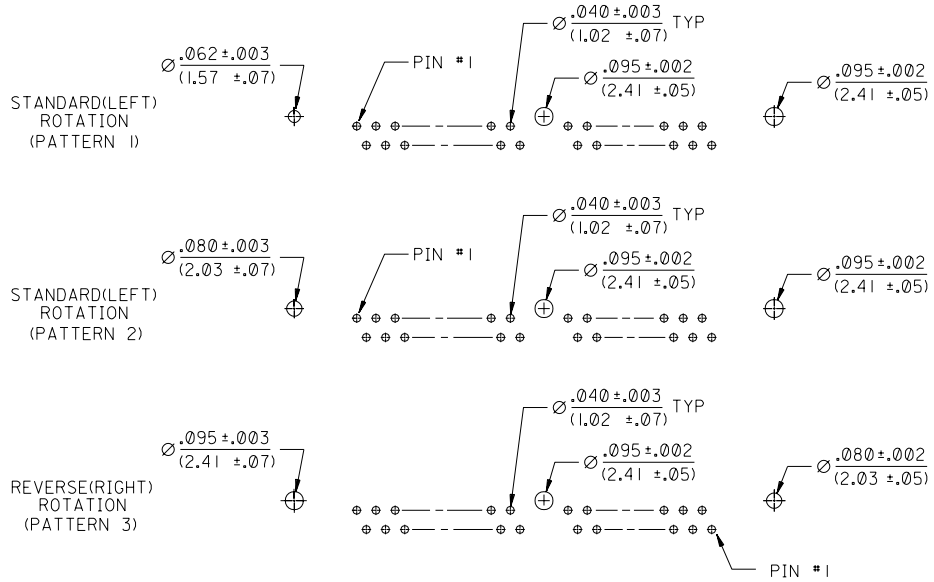


THROUGH HOLE

SHEET #	MODULE HEIGHT	LATCH	ROTATION	PCB PATTERN
2	.125	PLASTIC	STANDARD(LEFT)	PATTERN 1
3	.125	PLASTIC	REVERSE(RIGHT)	PATTERN 3
4	.160	PLASTIC	STANDARD(LEFT)	PATTERN 1
5	.160	PLASTIC	STANDARD(LEFT)	PATTERN 2
6	.160	PLASTIC	REVERSE(RIGHT)	PATTERN 3
7	.160	METAL	STANDARD(LEFT)	PATTERN 1
8	.160	METAL	STANDARD(LEFT)	PATTERN 2
9	.160	METAL	REVERSE(RIGHT)	PATTERN 3
10	.190	PLASTIC	STANDARD(LEFT)	PATTERN 1
11	.190	PLASTIC	STANDARD(LEFT)	PATTERN 2
12	.190	PLASTIC	REVERSE(RIGHT)	PATTERN 3
13	.190	METAL	STANDARD(LEFT)	PATTERN 1
14	.190	METAL	STANDARD(LEFT)	PATTERN 2
15	.190	METAL	REVERSE(RIGHT)	PATTERN 3
16	.250	PLASTIC	STANDARD(LEFT)	PATTERN 1
17	.250	PLASTIC	STANDARD(LEFT)	PATTERN 2
18	.250	PLASTIC	REVERSE(RIGHT)	PATTERN 3
19	.250	METAL	STANDARD(LEFT)	PATTERN 1
20	.250	METAL	STANDARD(LEFT)	PATTERN 2
21	.250	METAL	REVERSE(RIGHT)	PATTERN 3
22	.290	PLASTIC	STANDARD(LEFT)	PATTERN 1
23	.290	PLASTIC	STANDARD(LEFT)	PATTERN 2
24	.290	PLASTIC	REVERSE(RIGHT)	PATTERN 3
25	.290	METAL	STANDARD(LEFT)	PATTERN 1
26	.290	METAL	STANDARD(LEFT)	PATTERN 2
27	.290	METAL	REVERSE(RIGHT)	PATTERN 3

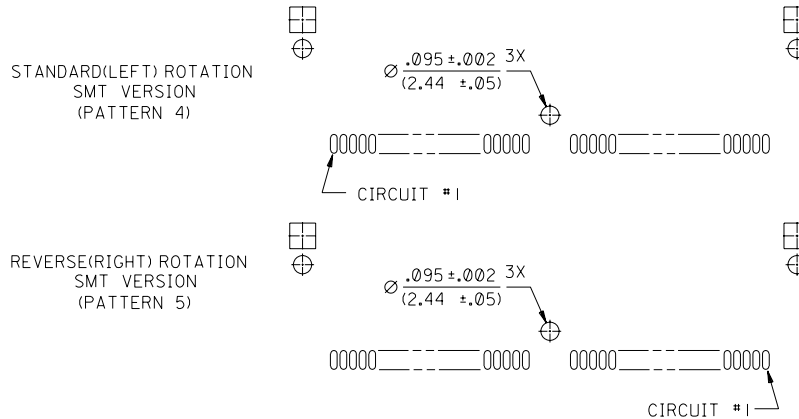
THROUGH HOLE PATTERNS



SURFACE MOUNT

SHEET #	MODULE HEIGHT	LATCH	ROTATION	PCB PATTERN
28	.160	METAL	STANDARD(LEFT)	PATTERN 4
29	.160	METAL	REVERSE(RIGHT)	PATTERN 5
30	.190	METAL	STANDARD(LEFT)	PATTERN 4
31	.190	METAL	REVERSE(RIGHT)	PATTERN 5
32	.250	METAL	STANDARD(LEFT)	PATTERN 4
33	.250	METAL	REVERSE(RIGHT)	PATTERN 5
34	.290	METAL	STANDARD(LEFT)	PATTERN 4
35	.290	METAL	REVERSE(RIGHT)	PATTERN 5

SURFACE MOUNT PATTERNS



P.C. BOARD HOLE PATTERNS

35	D
34	D
33	D
32	D
31	D
30	D
29	D
28	D
27	D
26	D
25	D
24	D
23	D
22	D
21	D
20	D
19	D
18	D
17	D
16	D
15	D
14	D
13	D
12	D
11	D
10	D
9	D
8	D
7	D
6	D
5	D
4	D
3	D
2	D
1	D

MFG, SH, REV, LTR, REVISIONS

UNLESS OTHERWISE SPECIFIED TOLERANCES: ANGULAR ± 1/2°

PLACEMENT	INCH	METRIC
3 PLACE	± .01	---
2 PLACE	± .014	± 0.25
1 PLACE	---	± 0.36

DRAFT WHERE APPLICABLE MUST REMAIN WITHIN DIMENSIONS

DRWG. BY: AMD CHK'D. BY: SCALE: 2 : 1

FILE NAME: SD7896801.DGN

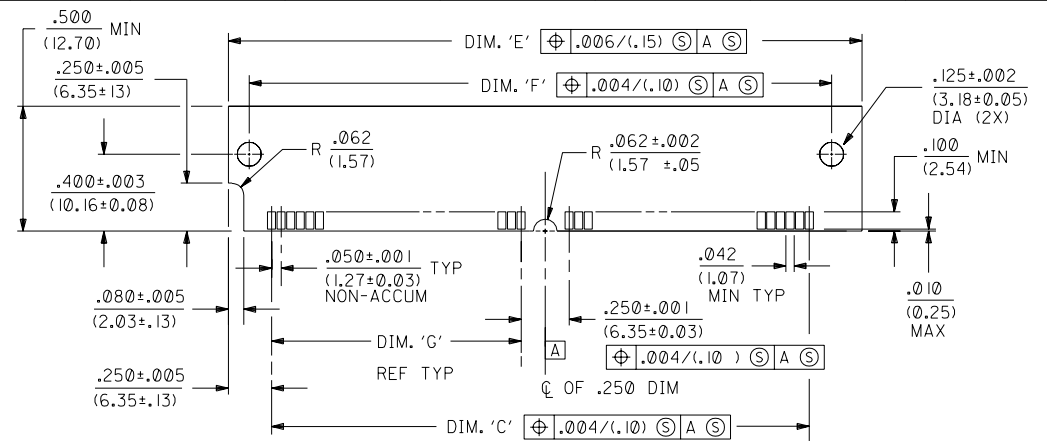
TITLE: SALES ASSEMBLY .05 PITCH RIGHT ANGLE SIMM SOCKET FAMILY

MOLEX INCORPORATED U.S.A. SHEET NO. 1 OF 35 DATE 11/11/93

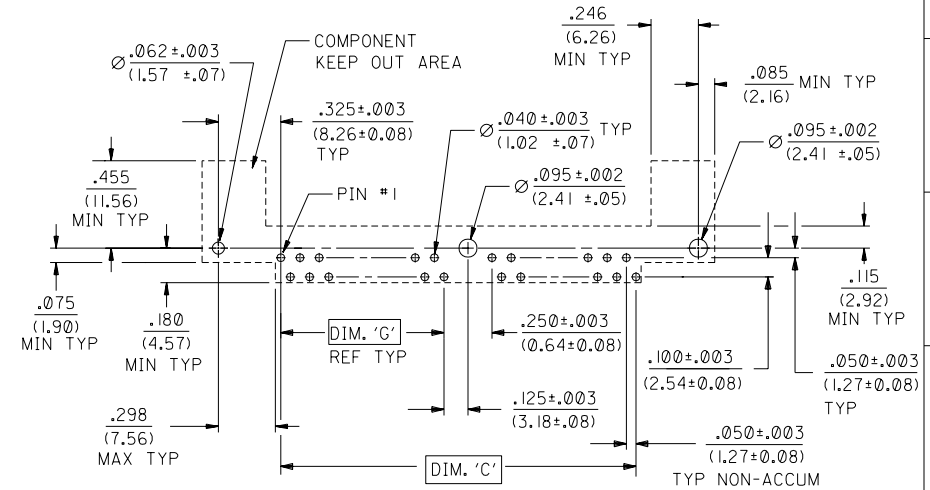
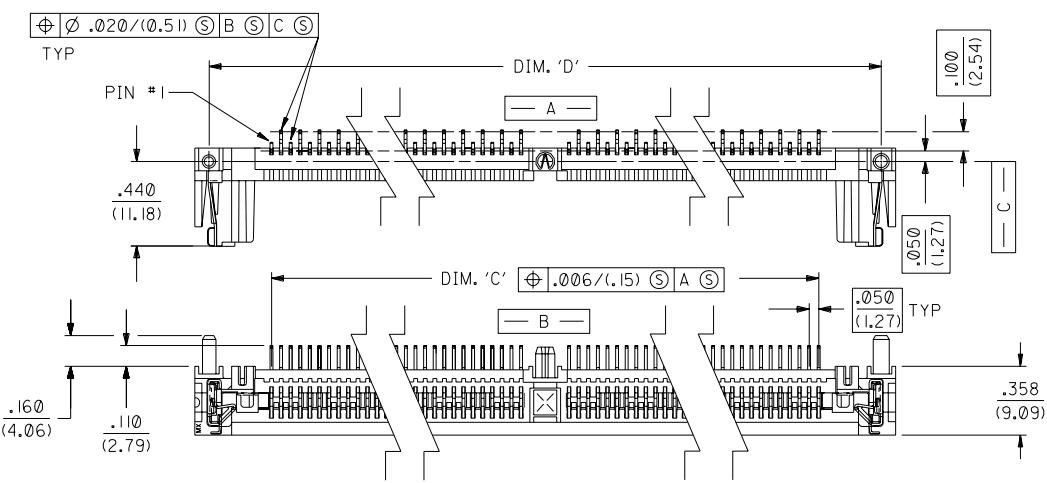
SEE CHART SDA-78968-\*\*\*\*

THIS DRAWING CONTAINS INFORMATION THAT IS PROPRIETARY TO MOLEX INC. AND SHOULD NOT BE USED WITHOUT WRITTEN PERMISSION.

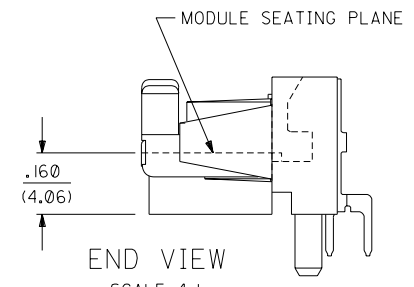
78968



"SIMM" P.C. BOARD LAYOUT



RECOMMENDED SOCKET P.C. BOARD HOLE PATTERN



NOTES:  
 1. CARD SLOT ACCEPTS .050 +.004/- .003 P.C. BOARDS (MEASURED OVER P.C. PADS).  
 2. CENTER PEG IS AN INTERFERENCE FIT TO RECOMMENDED P.C. BOARD HOLE. (WHERE APPLICABLE)  
 3. PRODUCT SPEC PS-78968 APPLIES

MATERIALS:  
 HOUSING- LCP , GLASS FILLED, 94V-0, COLOR: BLACK.  
 TERMINAL- PHOSPHOR BRONZE

PLATING - SEE CHART  
 \*THE PRIMARY SHIPPING CARTON WILL BE LABELED "COMPLIANT TO ROHS DIRECTIVE 2002/95/EC AND ELV ANNEX II OF DIRECTIVE 2000/53/EC". CARTONS WITHOUT THIS LABEL MAY CONTAIN PRODUCT WITH LEAD.

CIRCUITS	DIM. 'A'	DIM. 'B'	DIM. 'C'	DIM. 'D'	DIM. 'E'	DIM. 'F'	DIM. 'G'	ENG. NUMBER TIN PLATING	EDP NUMBER TIN PLATING	ENG. NUMBER GOLD PLATING	EDP NUMBER GOLD PLATING
40	2.950/(74.93)	2.327/(59.11)	2.150/(54.61)	2.800/(71.12)	2.650/(67.31)	2.384/(60.55)	.950/(24.13)	-4032	15-82-1369	-4033	15-82-1376
64	4.150/(105.41)	3.527/(89.58)	3.350/(85.09)	4.000/(101.60)	3.850/(97.79)	3.584/(91.03)	1.550/(39.37)	-6431	15-82-1370	-6432	15-82-1377
68	4.350/(110.49)	3.727/(94.66)	3.550/(90.17)	4.200/(106.68)	4.050/(102.87)	3.784/(96.12)	1.650/(41.91)	-6831	15-82-1371	-6832	15-82-1378
72	4.550/(115.57)	3.927/(99.74)	3.750/(95.25)	4.400/(111.76)	4.250/(107.95)	3.984/(101.19)	1.750/(44.45)	-7235	15-82-1372	-7236	15-82-1379
80	4.950/(125.73)	4.327/(109.90)	4.150/(105.41)	4.800/(121.92)	4.650/(118.11)	4.384/(111.35)	1.950/(49.53)	-8032	15-82-1373	-8033	15-82-1380
84	5.150/(130.81)	4.527/(114.98)	4.350/(109.22)	5.000/(127.00)	4.850/(123.19)	4.584/(116.43)	2.050/(52.07)	-8432	15-82-1374	-8433	15-82-1381
100	5.950/(151.13)	5.327/(135.13)	5.150/(130.81)	5.800/(147.32)	5.650/(143.51)	5.384/(136.75)	2.450/(62.23)	-1031	15-82-1375	-1032	15-82-1382

DIMENSIONS SHOWN (METRIC) INCH  
 UNLESS OTHERWISE SPECIFIED  
 TOLERANCES: ANGULAR 1/2°

PLACE	INCH	METRIC
3 PLACE	± .01	---
2 PLACE	± .014	± 0.25
1 PLACE	---	± 0.36

DRAFT WHERE APPLICABLE MUST REMAIN WITHIN DIMENSIONS

DRG. BY: AMD  
 APP'D. BY: SCALE: 2:1

DRG. NO.: SDA-78968-\*\*\*\*  
 FILE NAME: SD7896807

THIS DRAWING CONTAINS INFORMATION THAT IS PROPRIETARY TO MOLEX INC. AND SHOULD NOT BE USED WITHOUT WRITTEN PERMISSION.

SALES ASSM, METAL LATCH .160 MOD. HGT., LEFT (STD.) KEY, RIGHT ANGLE SIMM SOCKET

MOLEX INCORPORATED U.S.A.  
 1151E.LLL. 60532

SHEET NO. 7  
 DATE 11/11/93

REVISIONS

D	SEE SHEET 1
A	SEE SHEET 1