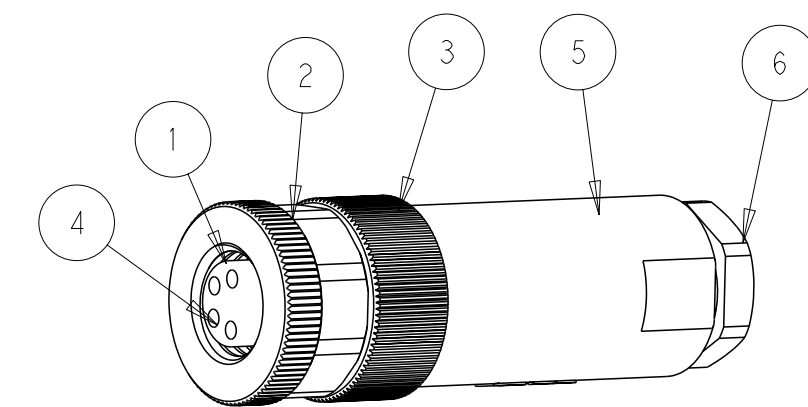
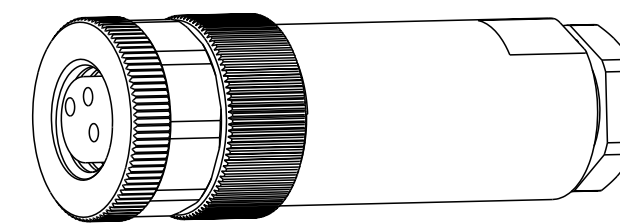
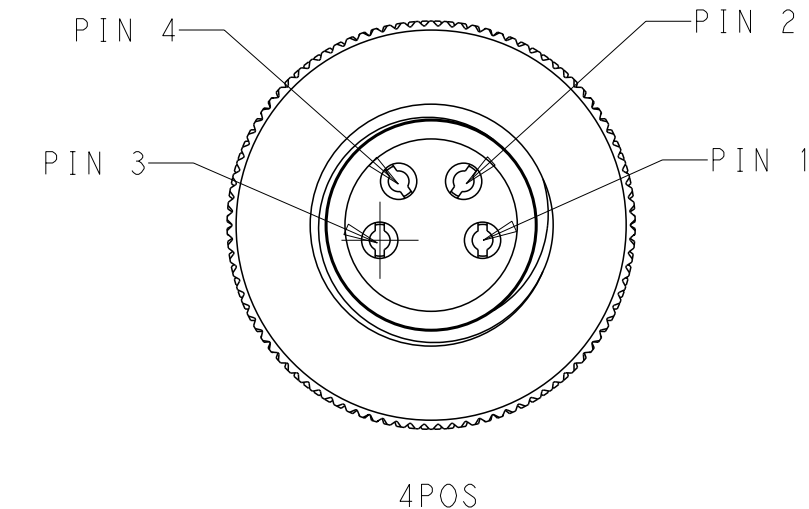
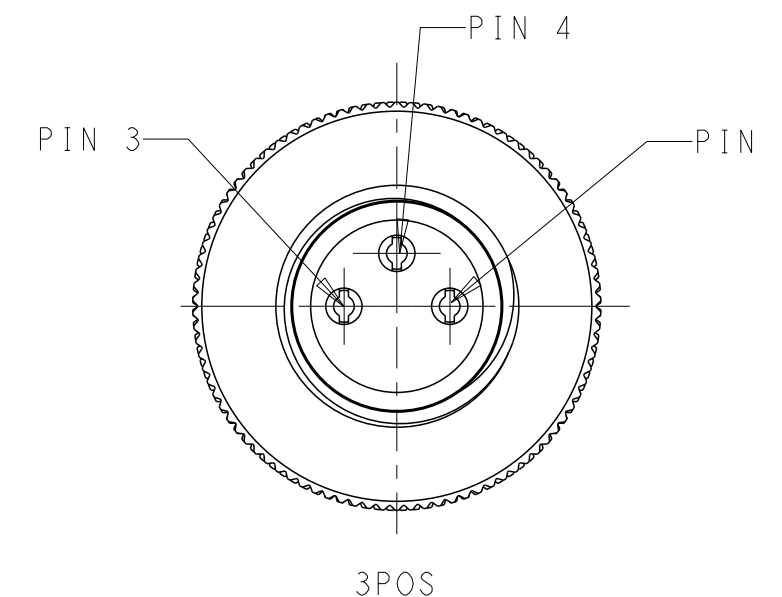
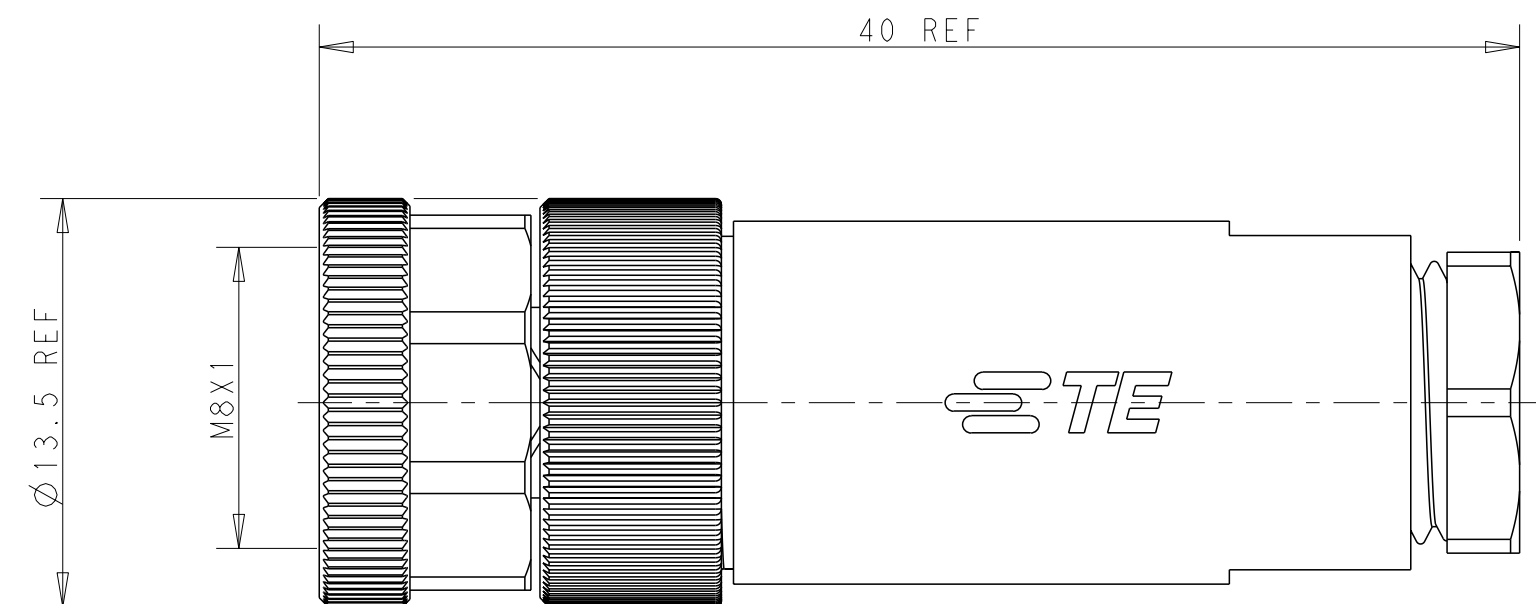


THIS DRAWING IS UNPUBLISHED. RELEASED FOR PUBLICATION 20
 © COPYRIGHT 20 BY - ALL RIGHTS RESERVED.

REVISIONS				
P	LTR	DESCRIPTION	DATE	APVD
A		INITIAL RELEASED	08JUN2021	BP CW



TECHNICAL DATA	T401000804X-000	T401000803X-000
RATED VOLTAGE	30V	60V
RATED CURRENT	3A	3A
POLLUTION DEGREE	3	3
OVERVOLTAGE CATEGOYR	II	II
MATERICAL GROUP	II	II
INSULATION RESISTANCE	>100MΩ	>100MΩ
DEGREE OF PROTECTION	IP67	IP67
OPERATION TEMPERATURE	-40~85°C	-40~85°C

- NOTES;
- PARTS MATERIAL DATA:SEE TABLE1
 - CONTACT FINISH:
GOLD OVER NICKEL OR SILVER OVER NICKEL
 - CABLE WIRES:
26AWG/0.14mm² Min & 24AWG/0.25mm² Max
 - ALL DIMENSIONS ARE FOR NOMINAL REFERENCE ONLY UNLESS OTHERWISE STATE
 - PACKAGIN: 1 PIECE IN A BAG
 - PN INFORMATION FOR ASSEMBLY PARTS
T401000XXXX-000

- CONTACT FINISH:
1:GOLD OVER NICKEL
2:SILVER OVER NICKEL
- NUMBERS OF PINS:
03:3 PINS
04:4 PINS
...
- CABLE OUTLET:
8:PLASTIC(CABLE FEED:3.5~4.8mm)
9:METAL(CABLE FEED:3.5~5.0mm)
...

- 注意事项;
- 零件材料参见附表1
 - 表面处理:镀金
 - 适用线材:26AWG/0.14mm² Min & 24AWG/0.25mm² Max
 - 所有尺寸标注为基本参考,除非其它说明
 - 包装:每BAG装1PC
 - 料号数字代码参考上表

TABLE 1

MATERIAL	DESCRIPTION	ITEM
PBT	PRESS SCREW	6
PBT	STRAIGHT PLASTIC HOUSING	5
BRASS	M8 SCTREW ASSY REC TERMINAL	4
BRASS	M8 SCREW ASSY OUT SCREW	3
BRASS	M8,FEMALE INSERT NUT	2
PA	M8,FEMALE HSG,A CODE,4PIN	1
	M8,FEMALE HSG,A CODE,3PIN	

M8-FS-3CON-PG7-MU	T4010008031-000	1SET310001R0000
M8-FS-4CON-PG7-MU	T4010008041-000	1SET310002R0000
PRODUCT TYPE	TE PN	ENTRELEC PN

THIS DRAWING IS A CONTROLLED DOCUMENT.		DWN BLAZE PENG 08JUN2021	ENTRELEC Electrical Solutions	
DIMENSIONS: mm		CHK KEVIN HUANG 08JUN2021		
TOLERANCES UNLESS OTHERWISE SPECIFIED:		APVD CHRIS WANG 08JUN2021	NAME M8 FEMALE SCREW ASSY STRAIGHT UNSHIELDING CONNECTOR	
0 PLC ± 1 PLC ±0.20 2 PLC ±0.20 3 PLC ±0.20 4 PLC ± ANGLES ± FINISH		PRODUCT SPEC 108-106140	RESTRICTED TO	
MATERIAL		APPLICATION SPEC 114-137144-1	SIZE A2	CAGE CODE -
		WEIGHT -	DRAWING NO G-1SET310F01R0000	
		CUSTOMER DRAWING	SCALE 2:1	SHEET 1 OF 1
			REV A	