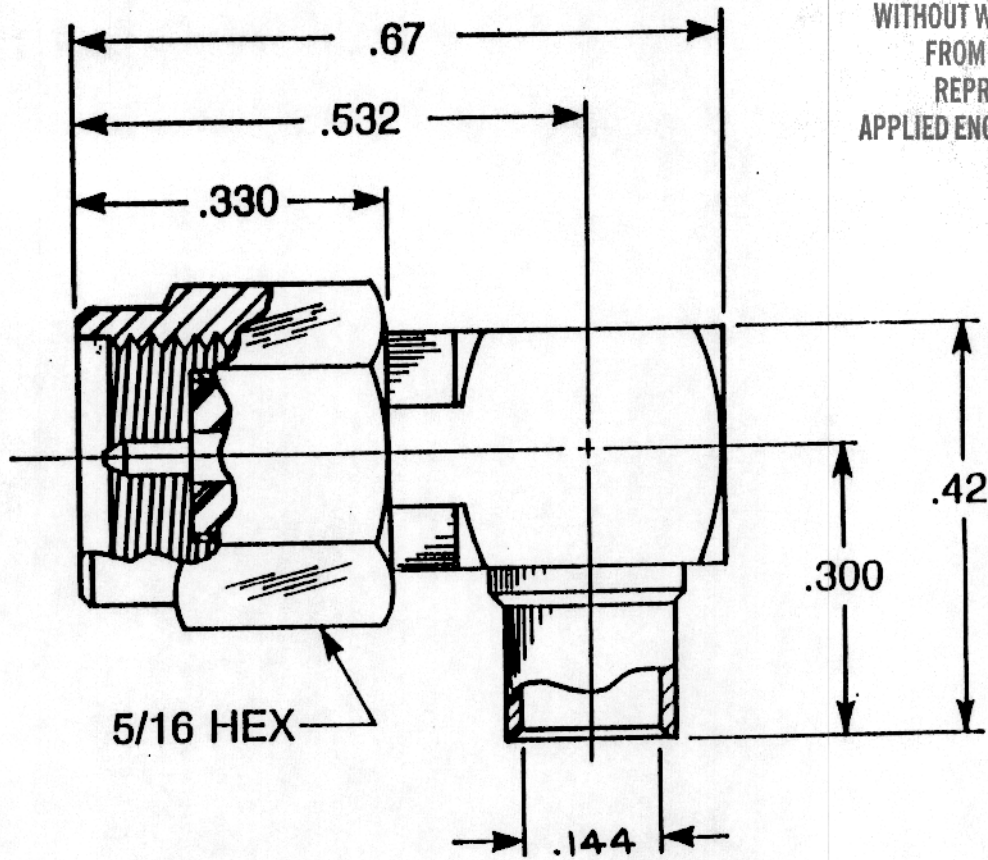


FILE

DESIGN SUBJECT TO CHANGE BY A. E. P.  
PROPRIETARY INFORMATION  
NOT TO BE RELEASED  
WITHOUT WRITTEN PERMISSION  
FROM AN AUTHORIZED  
REPRESENTATIVE OF  
APPLIED ENGINEERING PRODUCTS.



NOTES: CONFORMS TO MIL-C-39012 SMA SERIES.

MATERIAL:

1. BODIES & CUPLING NUT = STAINLESS STEEL PER ASTM-A-582 TYPE 303.
2. INSULATORS = TEFLON VIRGIN WHITE PER ASTM-D-1710.
3. CONTACT & SNAP RING = BERYLLIUM COPPER PER QQ-C-530.
4. GASKET = SILICON RUBBER PER ZZ-R-765, CLASS 2B, GRADE 65-75.
5. CAP = BRASS 1/2 HARD PER QQ-B-626, ALLOY 360.

FINISHES:

1. CONTACT = GOLD PLATE PER MIL-G-45204 TYPE II, CLASS I, GRADE C OVER STRESS FREE NICKEL PER QQ-N-290.
2. BODIES = GOLD PLATE PER MIL-G-45204 TYPE II, CLASS 0, GRADE C OVER STRESS FREE NICKEL PER QQ-N-290.
3. CAP = GOLD PLATE PER MIL-G45204 TYPE II, CLASS 0, GRADE C OVER COPPER STRIKE PER MIL-C-14550.

RIGHT ANGLE CABLE PLUG  
DIRECT SOLDER, SEMI-RIGID  
FOR USE WITH .141 DIA. CABLE (RG-402).

APPLIED ENGINEERING PRODUCTS  
104 John W. Murphy Drive, P.O. Box 510  
New Haven, CT 06513

CODE IDENT. 19505

9443-1563-009