

4

3

2

1

THIS DRAWING IS UNPUBLISHED.

RELEASED FOR PUBLICATION

20

© COPYRIGHT 20 BY -

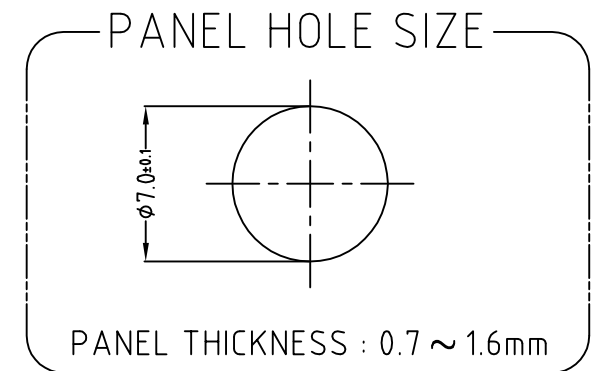
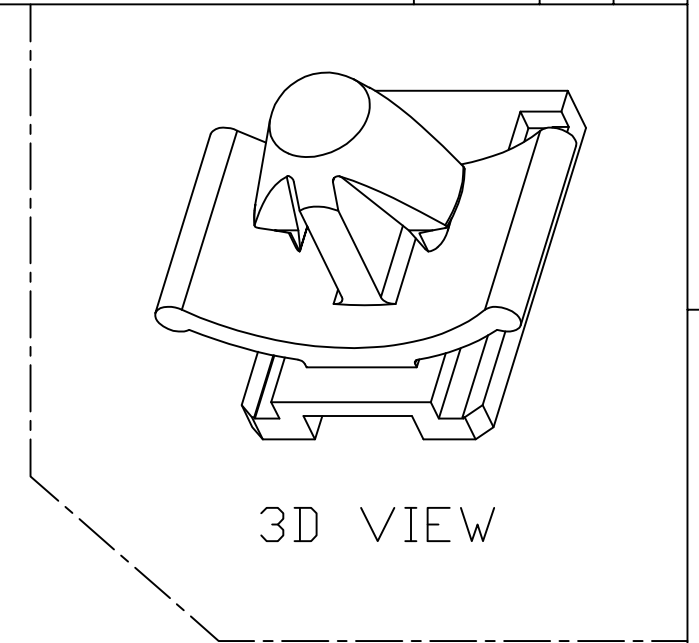
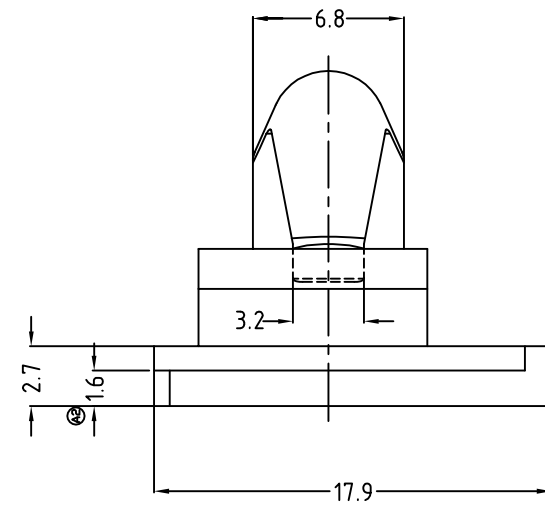
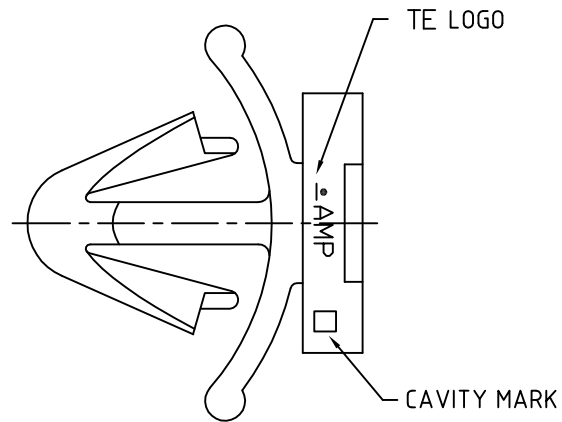
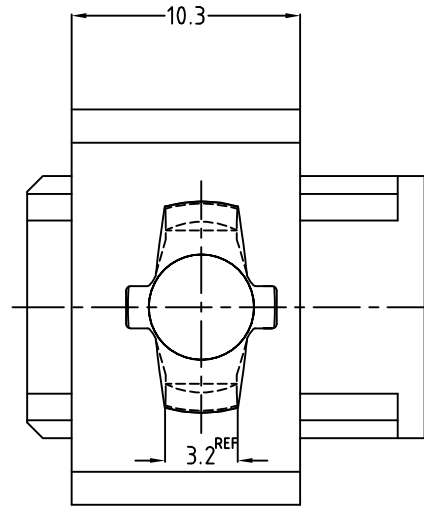
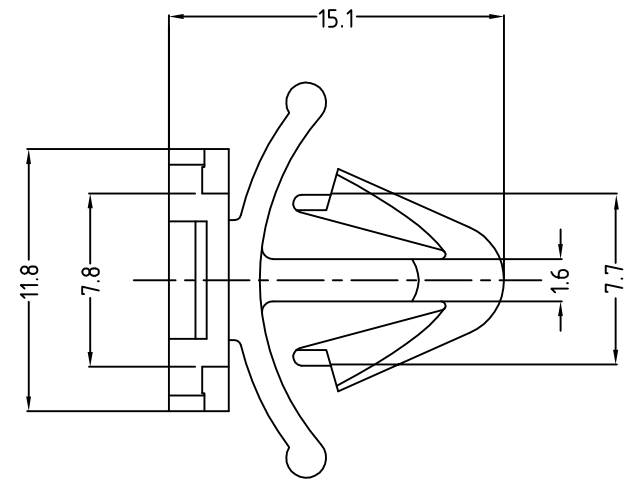
ALL RIGHTS RESERVED.

LOC DS

DIST -

REVISIONS

P	LTR	DESCRIPTION	DATE	DWN	APVD
	A3	REVISED (ECR-13-005245)	07.MAR.'13	JM	HG



BLACK	PA66	368260-2
NATURAL	PA66	368260-1
COLOR	MATERIAL	P/N

THIS DRAWING IS A CONTROLLED DOCUMENT.

DIMENSIONS:	TOLERANCES UNLESS OTHERWISE SPECIFIED:
MM	0 <XX<10 ± 0.2
	10<XX<30 ± 0.25
	30<XX ± 0.3
	ANGLES ± 3°

MATERIAL	FINISH
-	-

DWN JM JEON	CHK JW JUNG
APVD HG CHD	PRODUCT SPEC -
APPLICATION SPEC -	WEIGHT -



NAME			
CLIP HSG FOR .090II MLC(φ7 HOLE)			
SIZE	CAGE CODE	DRAWING NO	RESTRICTED TO
A3	00779	©=368260	-
SCALE 3/1		SHEET 1 OF 1	REV A3