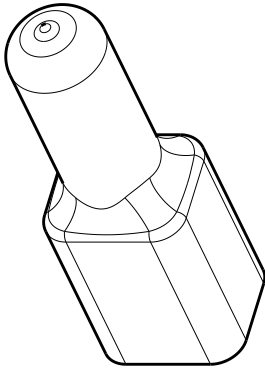
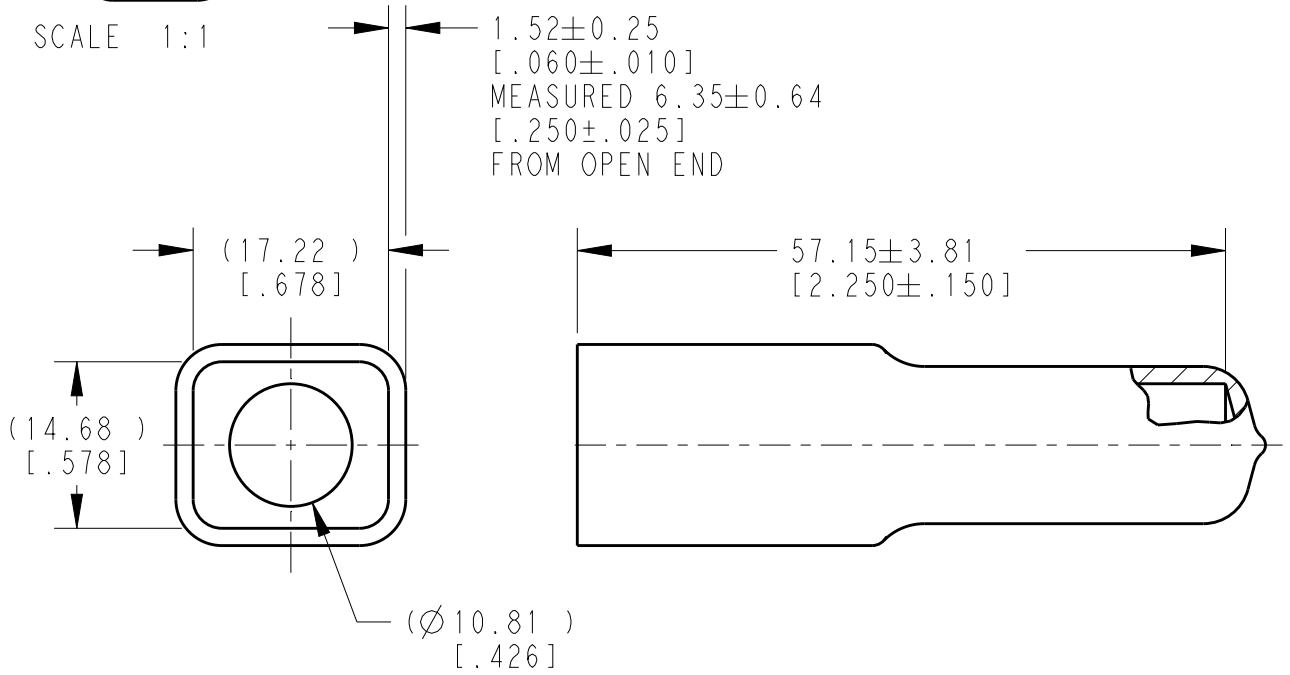


REVISIONS

P	LTR	DESCRIPTION	DATE	DWN	APVD
	A	NEW RELEASE PER ECO-14-008761	10JUN2014	DM	DM
	A1	REVISE PER PCN E-19-014565	17SEP2019	JA	DM



SCALE 1:1



3. THIS ACCESSORY PART IS PROVIDED WITHOUT TYPICAL TRANSPORTATION INDUSTRY PROCESS CONTROLS. NO VALIDATION TESTING HAS BEEN PERFORMED. CUSTOMER IS RESPONSIBLE FOR DETERMINING PRODUCT PERFORMANCE AND SUITABILITY FOR APPLICATION.
2. TEMPERATURE RATING: -29°C TO +100°C [-20°F TO +212°F].
1. THIS PART IS USED ON DT04-4P RECEPTACLES WITH ANY MODIFICATION THAT DOES NOT INCLUDE AN END CAP.

NOTES:

TE INTERNAL PN	DEUTSCH PN
DT4P-BT-BK	DT4P-BT-BK

2019 RELEASED FOR PUBLICATION ALL RIGHTS RESERVED. THIS DRAWING IS UNPUBLISHED. BY TE CONNECTIVITY COPYRIGHT 2014

DIMENSIONS:
mm [INCHES]

TOLERANCES UNLESS OTHERWISE SPECIFIED:

0 PLC	±
1 PLC	±
2 PLC	±
3 PLC	±0.63 [.025]
4 PLC	±
ANGLES	±0° 30' 0"

DWN D. MEYER	10JUN2014
CHK R. MESSENGER	10JUN2014
APVD D. MEYER	10JUN2014
PRODUCT SPEC	
APPLICATION SPEC	
WEIGHT	4.95g

MATERIAL	PVC	FINISH	BLACK
TE Connectivity			
NAME BOOT, RECEPTACLE, 4 PIN DT SERIES			
SIZE	CAGE CODE	DRAWING NO	RESTRICTED TO
A 4	4AFU8	©-DT4P-BT-BK	-
CUSTOMER DRAWING		SCALE	3:2
		SHEET	1 OF 1
		REV	A1