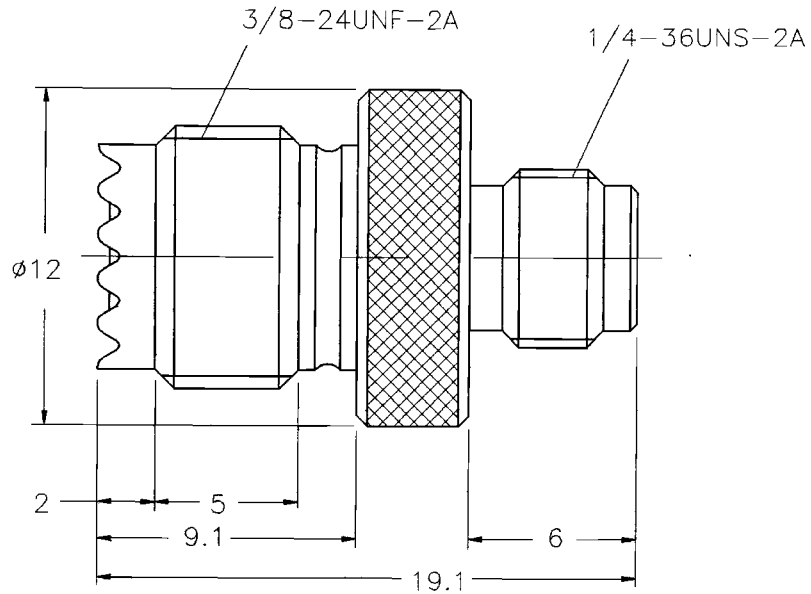



| | | |
|------|--------|-----------------|
| REV. | DATE | DESCRIPTION |
| NC | 4/1/97 | INITIAL RELEASE |



| DESCRIPTION | MATERIAL | FINISH | DIMENSIONS ARE IN MILLIMETERS UNLESS OTHERWISE SPECIFIED TOLERANCES ARE: | APPROVALS | DATE |  | | | | |
|---------------|--------------|---------|--|--------------|--------|---|-----------------|--------------|------------|------|
| | | | | | | TITLE | SIZE | FSCM NO. | DWG. NO. | REV. |
| 1 BODY | BRASS | NICKEL | 0.5-6 = ± 0.2 | DRAWN G.R.S. | 4/1/97 | SMA FEMALE TO MINI-UHF FEMALE ADAPTOR | A | 99001 | 242119.DWG | NC |
| 2 CONTACT PIN | PHOS. BRONZE | GOLD | 6-30 = ± 0.4 | CHECKED | | | | | | |
| 3 INSULATOR | TEFLON | NATURAL | 30-120 = ± 0.6 | ISSUED | | | | | | |
| 4 | | | 120-315 = ± 1 | | | | | | | |
| 5 | | | 315-1000 = ± 1.6 | | | | | | | |
| 6 | | | 1000-2000 = ± 2.4 | | | | | | | |
| 7 | | | | | | | | | | |
| 8 | | | DO NOT SCALE DRAWING | | | | | | | |
| | | | | | | SCALE 4:1 | PART NO. 242119 | SHEET 1 OF 1 | | |