

**TERMSERIES**  
**TRP 120VUC 1CO EMPTY**

**Weidmüller Interface GmbH & Co. KG**  
Klingenbergstraße 26  
D-32758 Detmold  
Germany  
Fon: +49 5231 14-0  
Fax: +49 5231 14-292083  
www.weidmueller.com

**Product image**

Similar to illustration

TERMSERIES accessories include:

- Spare relay
- Base
- Partition plates
- Cross-connections
- Power-feed modules

**General ordering data**

|            |   |
|------------|---|
| Type       | TRP 120VUC 1CO EMPTY  |
| Order No.  | <a href="#">2618950000</a>  |
| Version    | TERMSERIES, Relay bases, Number of contacts: 1<br>CO contact, Rated control voltage: 120 V UC ±10<br>%, Continuous current: 10 A, PUSH IN |
| GTIN (EAN) | 4050118667585   |
| Qty.       | 10 pc(s).   |

Creation date May 5, 2020 8:52:54 PM CEST

Catalogue status 01.05.2020 / We reserve the right to make technical changes.

**TERMSERIES**  
**TRP 120VUC 1CO EMPTY**

**Weidmüller Interface GmbH & Co. KG**  
 Klingenbergstraße 26  
 D-32758 Detmold  
 Germany  
 Fon: +49 5231 14-0  
 Fax: +49 5231 14-292083  
 www.weidmueller.com

**Technical data**
**Dimensions and weights**

|            |         |                 |            |
|------------|---------|-----------------|------------|
| Width      | 6.4 mm  | Width (inches)  | 0.252 inch |
| Height     | 89.6 mm | Height (inches) | 3.528 inch |
| Depth      | 87.8 mm | Depth (inches)  | 3.457 inch |
| Net weight | 24.74 g |                 |            |

**Temperatures**

|                             |  |                             |                |
|-----------------------------|--|-----------------------------|----------------|
| Humidity                    | 5-95% relative humidity,<br>T <sub>u</sub> = 40°C, without<br>condensation | Operating temperature, max. | 60 °C          |
| Operating temperature, min. | -40 °C   | Storage temperature, max.   | 85 °C          |
| Storage temperature, min.   | -40 °C   | Operating temperature       | -40 °C...60 °C |
| Storage temperature         | -40 °C...85 °C   |                             |                |

**Rated data UL**

|                                    |  |   |        |
|------------------------------------|--|---|--------|
| Certificate No. (cURus)            | E223759  | Ambient temperature (operational), max. | 60 °C  |
| Connection cross-section AWG, min. | AWG 26   | Connection cross-section AWG, max.      | AWG 14 |
| Type of conductor                  | rigid copper conductor,<br>flexible copper conductor | Pollution severity level                | 2      |
| Altitude                           | ≤ 2000 m, above sea level                            |   |        |

**Control side**

|                       |                 |              |                 |
|-----------------------|-----------------|--------------|-----------------|
| Rated control voltage | 120 V UC ± 10 % | Power rating | 0.48 VA, 420 mW |
| Status indicator      | Green LED       |              |                 |

**Load side**

|                         |          |                    |      |
|-------------------------|----------|--------------------|------|
| Rated switching voltage | 250 V AC | Continuous current | 10 A |
|-------------------------|----------|--------------------|------|

**Contact data**

|              |              |
|--------------|--------------|
| Contact type | 1 CO contact |
|--------------|--------------|

**General data**

|                           |       |        |       |
|---------------------------|-------|--------|-------|
| Rail                      | TS 35 | Colour | black |
| UL 94 flammability rating | V-0   |        |       |

**Insulation coordination**

|                           |                  |                                      |                              |
|---------------------------|------------------|--------------------------------------|------------------------------|
| Rated voltage             | 300 V            | Pollution severity                   | 2                            |
| Surge voltage category    | III              | Dielectric strength to mounting rail | 4 kV <sub>eff</sub> / 1 Min. |
| Impulse withstand voltage | 6 kV (1.2/50 μs) | Protection degree                    | IP20                         |

**Further details of approvals / standards**

|                         |         |
|-------------------------|---------|
| Certificate No. (cURus) | E223759 |
|-------------------------|---------|

**TERMSERIES**  
**TRP 120VUC 1CO EMPTY**

**Weidmüller Interface GmbH & Co. KG**  
 Klingenbergstraße 26  
 D-32758 Detmold  
 Germany  
 Fon: +49 5231 14-0  
 Fax: +49 5231 14-292083  
 www.weidmueller.com

**Technical data****Connection data**

|   |                     |   |                      |
|---|---------------------|---|----------------------|
| Wire connection method  | PUSH IN             | Stripping length, rated connection  | 8 mm                 |
| Clamping range, rated connection  | 1.5 mm <sup>2</sup> | Clamping range, min.  | 0.14 mm <sup>2</sup> |
| Clamping range, max.  | 2.5 mm <sup>2</sup> | Wire connection cross section AWG, min.   | AWG 26               |
| Wire connection cross section AWG, max.   | AWG 14              | Wire cross-section, solid, min.   | 0.14 mm <sup>2</sup> |
| Wire cross-section, solid, max.   | 2.5 mm <sup>2</sup> | Wire connection cross-section, finely stranded, min.                                    | 0.14 mm <sup>2</sup> |
| Wire connection cross section, finely stranded, max.                                    | 2.5 mm <sup>2</sup> | Wire cross-section, finely stranded, min. (AWG)   | AWG 26               |
| Wire cross-section, finely stranded, max. (AWG)   | AWG 14              | Wire connection cross-section, finely stranded with wire-end ferrules DIN 46228/4, min. | 0.15 mm <sup>2</sup> |
| Wire connection cross-section, finely stranded with wire-end ferrules DIN 46228/4, max. | 1.5 mm <sup>2</sup> | Conductor cross-section, flexible, AEH (DIN 46228-1), min.                              | 0.15 mm <sup>2</sup> |
| Conductor cross-section, flexible, AEH (DIN 46228-1), max.                              | 1.5 mm <sup>2</sup> | Twin wire-end ferrules, min.  | 0.5 mm <sup>2</sup>  |
| Twin wire-end ferrules, max.  | 1 mm <sup>2</sup>   | Blade size  | 0.4 x 2.0 mm         |

**Classifications**

|             |             |            |             |
|-------------|-------------|------------|-------------|
| ETIM 6.0    | EC001456    | ETIM 7.0   | EC001456    |
| eClass 9.0  | 27-37-16-03 | eClass 9.1 | 27-37-16-03 |
| eClass 10.0 | 27-37-16-03 |            |             |

**Approvals**

Approvals

**Downloads**

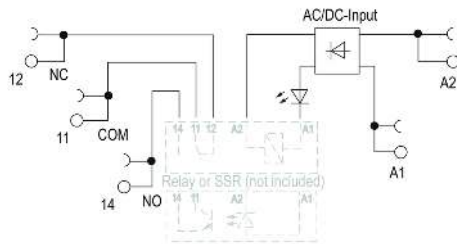
|   |   |
|---|---|
| Approval/Certificate/Document of Conformity | <a href="#">EU Konformitätserklärung / EU Declaration of Conformity</a> |
| Engineering Data                            | <a href="#">STEP</a>  |
| User Documentation                          | <a href="#">Beipackzettel / Package Insert - multilingual</a>           |

**TERMSERIES  
TRP 120VUC 1CO EMPTY**

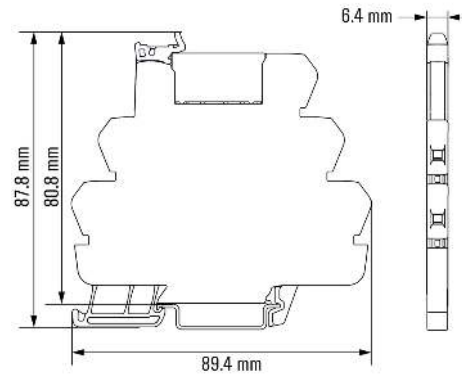
**Weidmüller Interface GmbH & Co. KG**  
 Klingenbergstraße 26  
 D-32758 Detmold  
 Germany  
 Fon: +49 5231 14-0  
 Fax: +49 5231 14-292083  
 www.weidmueller.com

**Drawings**

**Wiring diagram**



**Dimensional drawing**



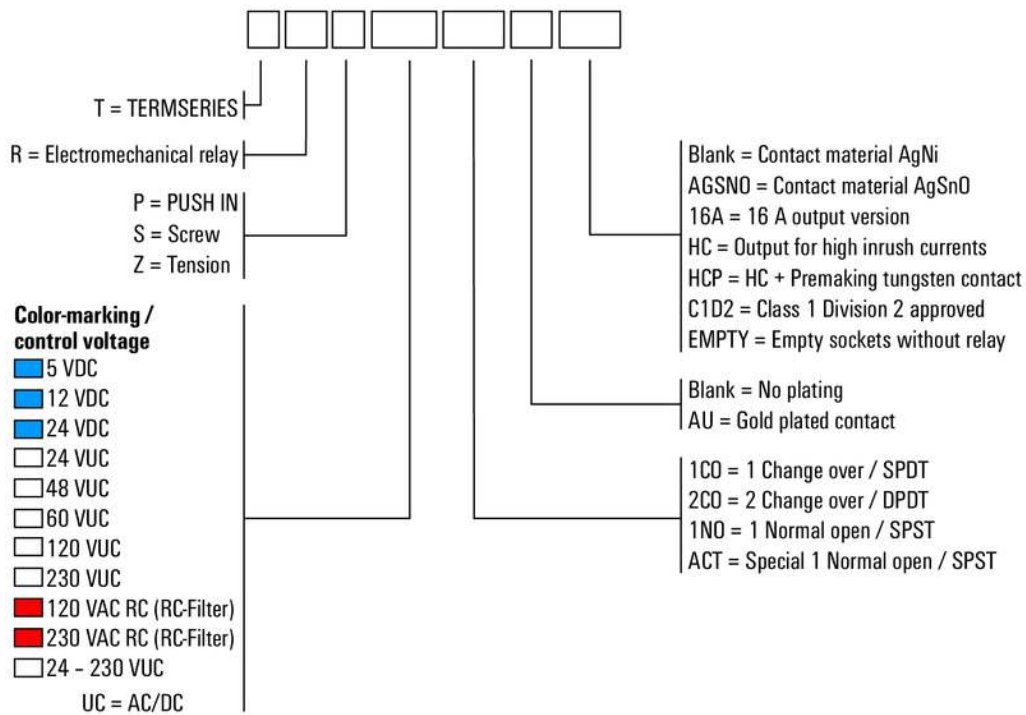
**TERMSERIES  
TRP 120VUC 1CO EMPTY**

**Weidmüller Interface GmbH & Co. KG**  
 Klingenbergstraße 26  
 D-32758 Detmold  
 Germany  
 Fon: +49 5231 14-0  
 Fax: +49 5231 14-292083  
 www.weidmueller.com

**Drawings**

**Miscellaneous**

**Type code TERMSERIES electromechanical relay versions**



Type codes