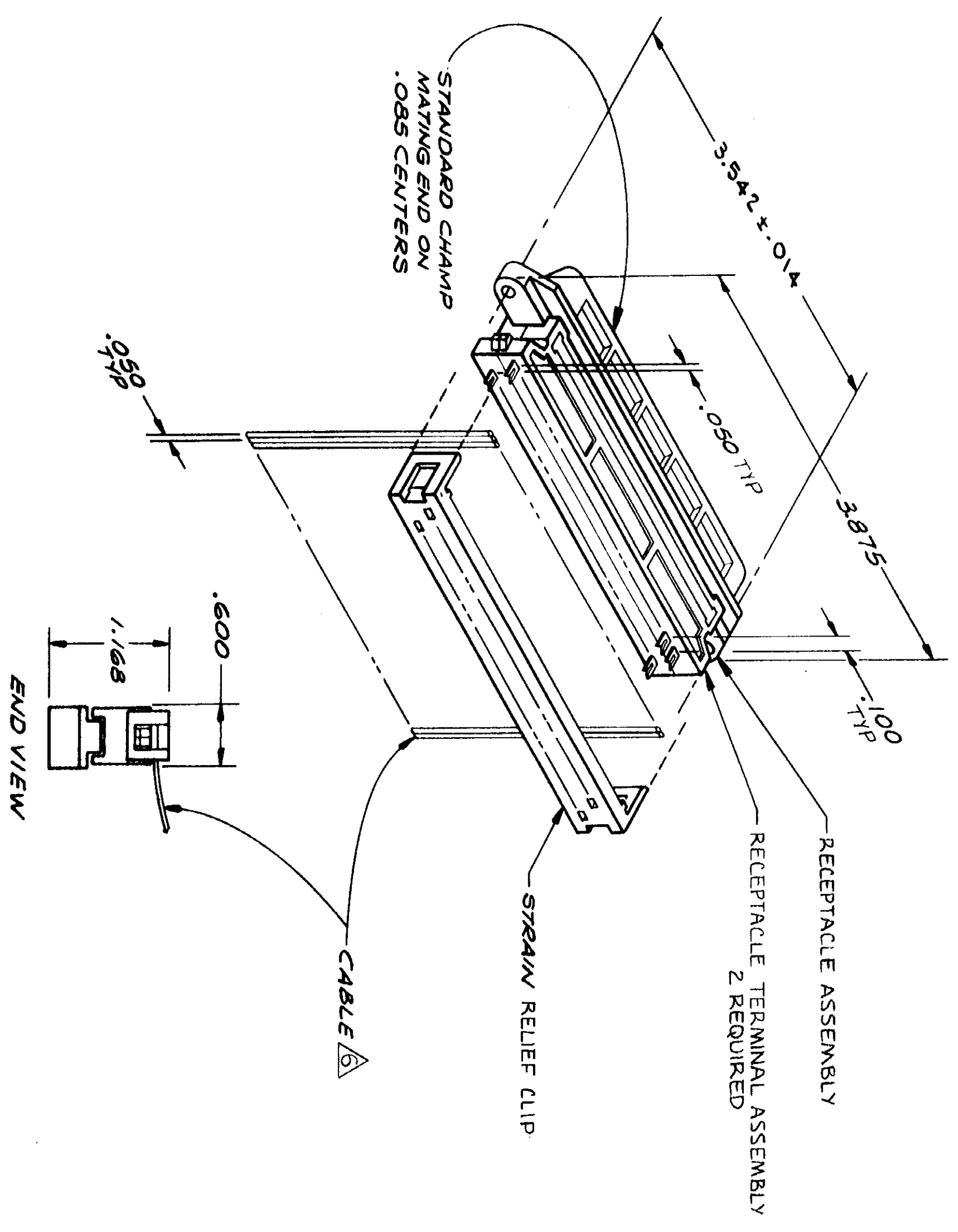


© COPYRIGHT 1979 BY AMP INCORPORATED, HARRISBURG, PA. ALL INTERNATIONAL RIGHTS RESERVED. AMP INCORPORATED PRODUCTS COVERED BY U. S. AND FOREIGN PATENTS AND/OR PATENTS PENDING.

P	F	ZONE	L	TR	REVISIONS	DATE	APPROVED
0					RLSE PER NPI C79-5	1-15-79	MJ
A					CHG DWG TITLE ECN C-1259	4/30/79	BN
B					REV PER AA-509	12/1/80	MJ
C					REV PER ECN AA-738	2-3-81	TP



1. THE CONTACT SURFACES OF THE TERMINALS ARE COATED WITH LUBRICANT.
2. MATERIAL: HOUSING & STRAIN RELIEF CLIP-THERMO-PLASTIC (BLK)
TERMINALS-GOLD OVER NICKEL PLATED HIGH STRENGTH COPPER ALLOY ON MATING END & GOLD FLASH OVER NICKEL PLATE ON TERMINATING END.
3. STRAIN RELIEF CLIP SHIPPED UNASSEMBLED.
4. WIRE RANGE: 28 AWG (STRANDED) OR 30 AWG (SOLID) COPPER RIBBON CABLE.
5. ALL DIMENSIONS SHOWN ARE FOR REFERENCE ONLY. RIBBON CABLE SHALL BE FURNISHED BY CUSTOMER.

552838-1 AS SHOWN

UNLESS OTHERWISE SPECIFIED DIMENSIONS ARE IN INCHES. TOLERANCES ON: DECIMALS ± # ANGLES		CONTRACT NO		NAME	
MATERIAL		DR M.O. FULL 1-15-79		KIT, RCPT, 64 POSN, RIBBON CABLE, CHAMP (THK FLG)	
FINISH		CHK/ 1/15/79 E. Shaw 1/15/79		AMP INCORPORATED Harrisburg, Pa.	
OTHER APPRO		APPD 5/1/79		SIZE CODE IDENT NO/DRAWING NO	
		APPD 5/1/79		C 00779 552838	
		APPD 5/1/79		SCALE 1:1 SHEET 1 OF 1	

CHAMP* CHAMP-LOK* Connectors
* Trademarks of AMP Incorporated

CUSTOMER DRAWING

552838

AMP 1471-6 (7-73)