

This document is the property of Amphenol Corporation and is delivered on the express condition that is not to be disclosed, reproduced or used, in whole or in part, for manufacture or sale by anyone other than Amphenol Corporation without its prior consent, and that no right is granted to disclose or to use any information in this document.

The marking on this product doesn't contain environmental hazardous materials per Material Specification 55-00259 for Sony GP compliant or per directive 2002/95/EC for RoHS compliant.

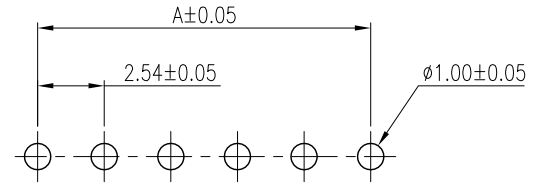
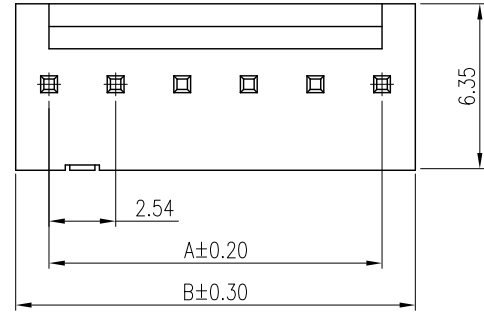


ORIGINAL



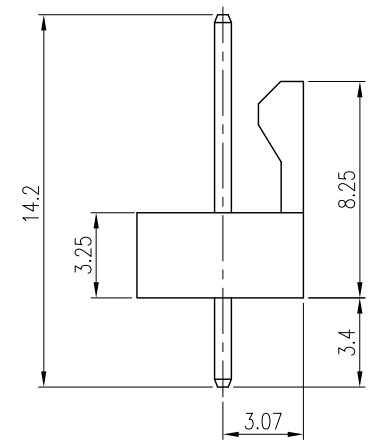
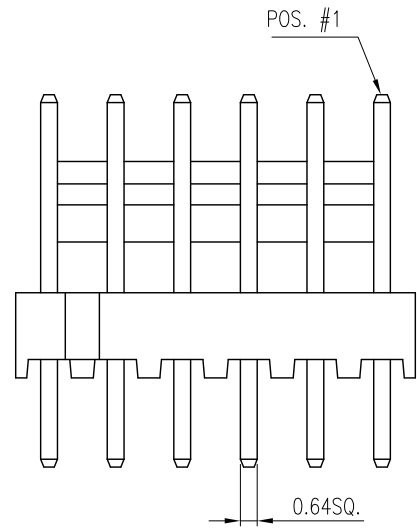
REVISIONS				
SYM	ECN No.	DESCRIPTION	DATE	APPROVED
A	NE-12188	RELEASE TO PRODUCTION	10/25/2012	Roger Tsai
B	NE-13176	MODIFIED DIMENSION 3.2->3.07	10/30/2013	Roger Tsai

- NOTES:
- INSULATOR: NYLON 9T, UL 94V-0, COLOR- OPTION.
  - PIN CONTACT: COPPER ALLOY, SELECTIVE PLATING OVER 50μ" MIN. NICKEL UNDER-PLATED OVERALL.
  - PACKING MUST BE PER AMTA PACKING SPECIFICATION PKS-0001
  - THIS PRODUCT DOESN'T CONTAIN ENVIRONMENTAL HAZARDOUS MATERIALS PER DIRECTIVE 2002/95/EC FOR RoHS.



RECOMMENDED P.C.B. LAYOUT

20	48.26	50.80
19	45.72	48.26
18	43.18	45.72
17	40.64	43.18
16	38.10	40.64
15	35.56	38.10
14	33.02	35.56
13	30.48	33.02
12	27.94	30.48
11	25.40	27.94
10	22.86	25.40
9	20.32	22.86
8	17.78	20.32
7	15.24	17.78
6	12.70	15.24
5	10.16	12.70
4	7.62	10.16
3	5.08	7.62
2	2.54	5.08
NO. OF POS.	DIM. A	DIM. B



PART NUMBER:  
G861AB XX X X 1T2EU

NO. OF POS. ———

COLOR OPTION ———  
1: BLACK  
2: WHITE

CONTACT FINISH ———  
1: 100μ" MIN. TIN  
2: GOLD FLASH

TOLERANCE		DRAWN	APPROVALS	DATE	TITLE								
X.		DESIGNED	Aqua Chou	10/30/2013	G861 SERIES, WAFER 2.54 PITCH, STRAIGHT PCB MOUNT	 Amphenol Corporation Amphenol Taiwan Corporation							
X.X	±0.30	CHECKED	Roger Tsai	10/30/2013									
X.XX	±0.20	APPROVED	Roger Tsai	10/30/2013									
X.XXX	±0.10	DWG TYPE	CUST DWG	PROJECT CODE PHD									
ANGULAR	±1°					UNIT	mm	SIZE	A3	PART No.	G861AB XXXX1 T2EU		
UNLESS OTHERWISE SPECIFIED						SCALE	NA	SHEET	1 OF 1	DWG No.	G861ABXXX1T2EU	REV.	B