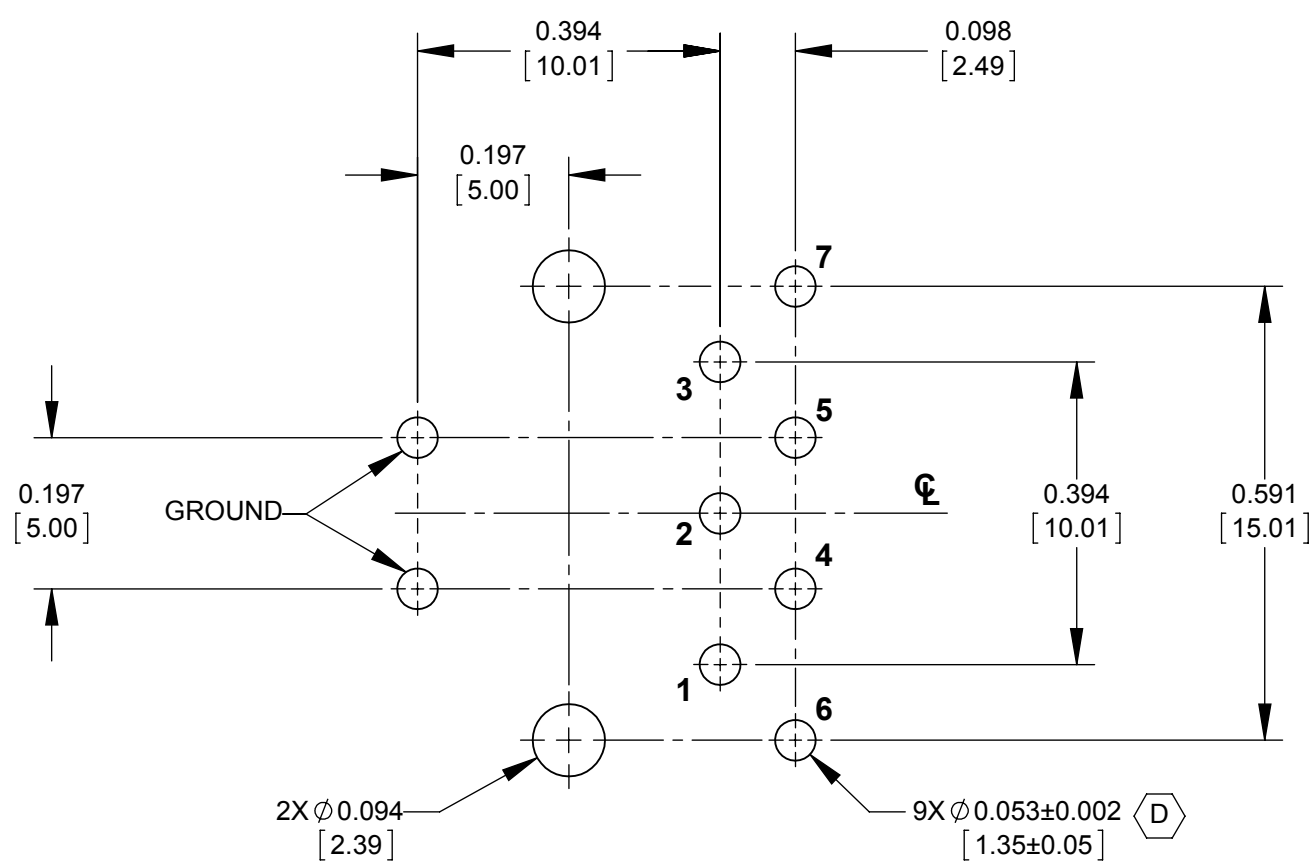
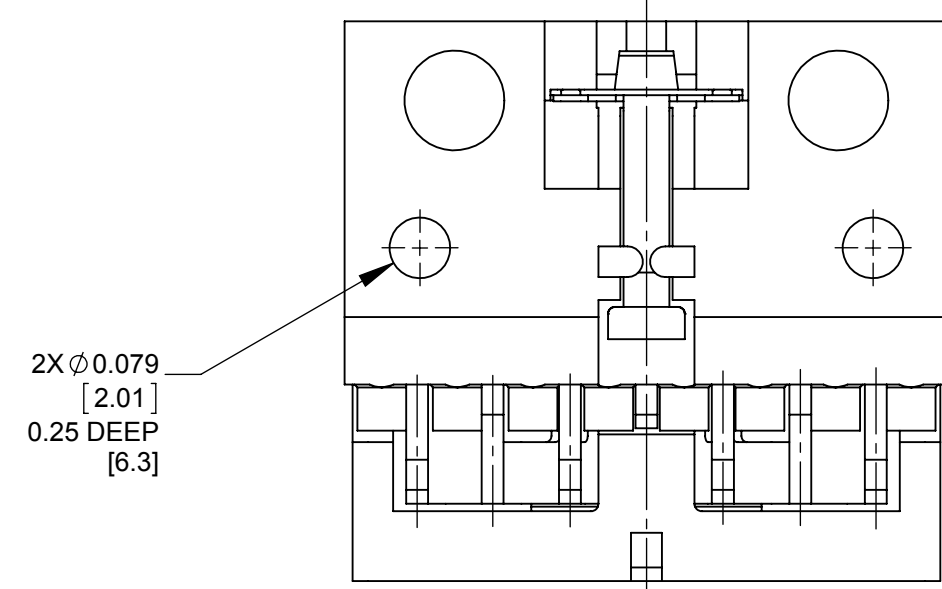
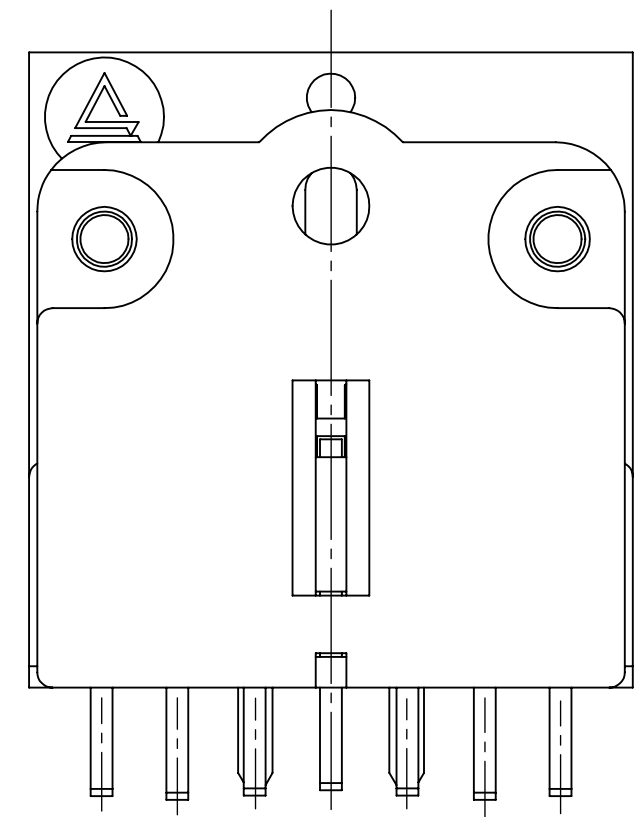
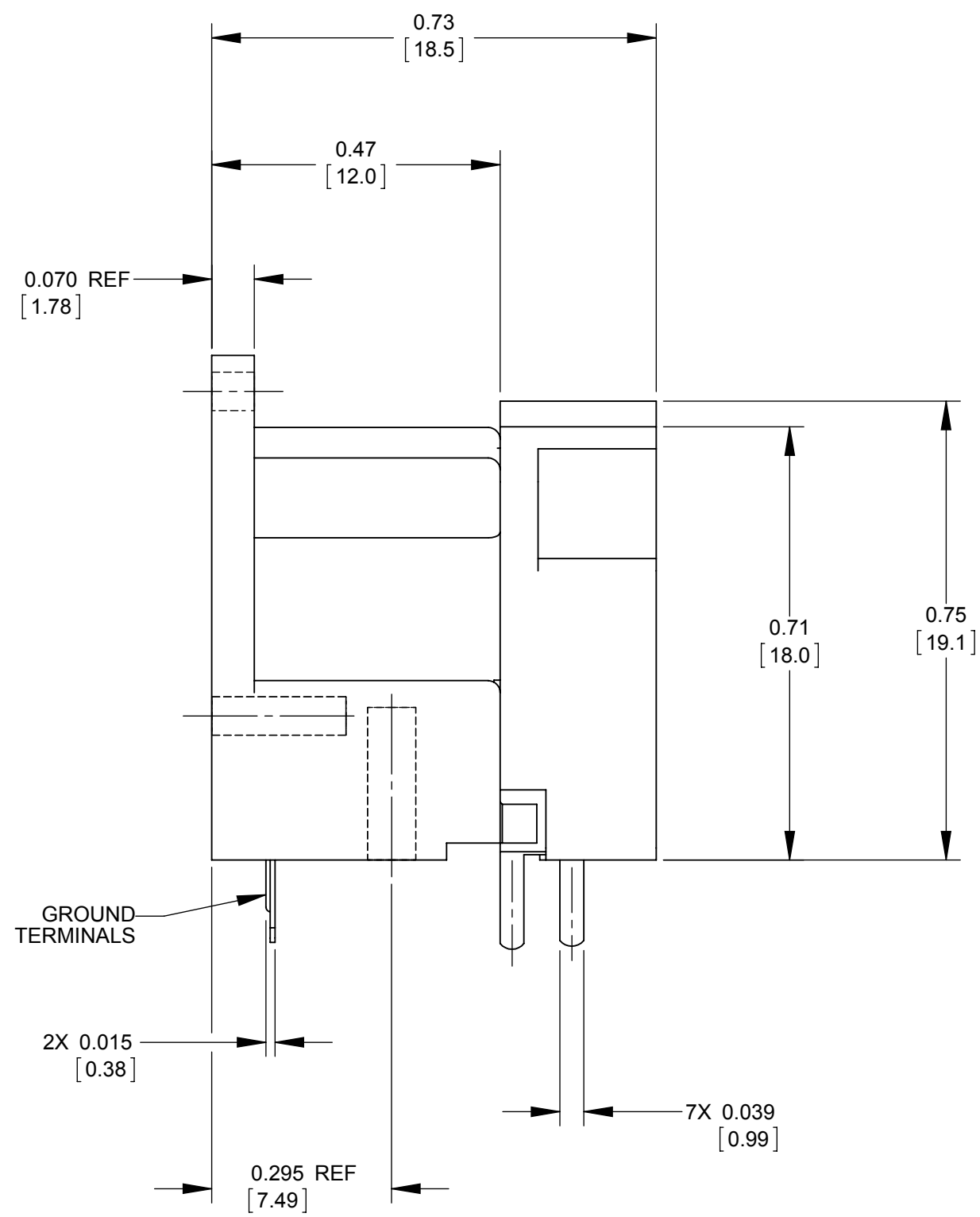
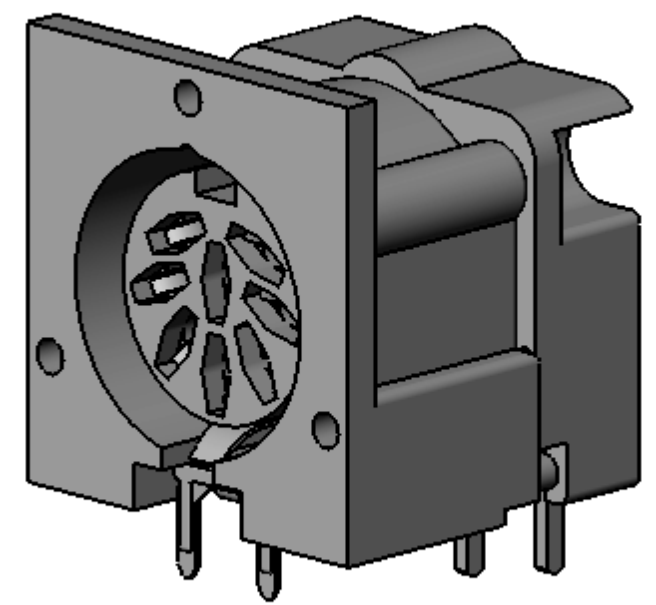


PIN NUMBERS FOR REFERENCE ONLY THEY DO NOT APPEAR ON THE PART



RECOMMENDED PC BOARD LAYOUT  
COMPONENT SIDE



NOTES:

- MATERIALS:  
HOUSING - THERMOPLASTIC, BLACK.  
PC TERMINALS - COPPER ALLOY, TIN PLATED.  
GROUND TERMINAL - SPECIAL COPPER ALLOY, TIN PLATED.  
COVER - THERMOPLASTIC, BLACK.
- THIS PRODUCT IS RoHS COMPLIANT.

CUSTOMER DRAWING

				THIS DRAWING DESCRIBES A DESIGN CONSIDERED PROPRIETARY IN NATURE, DEVELOPED AND MANUFACTURED BY SWITCHCRAFT INC. AND IS RELEASED ON A CONFIDENTIAL BASIS FOR IDENTIFICATION PURPOSES ONLY.			
SIZE		WIDTH	MULT	LBS/M		TEMPER	
FINISH SPEC No.				MATERIAL SPEC No.		SCALE	
FIRST USED ON				SCALE		4:1	
DATE DRAWN	BY	CHKD	APVD	Switchcraft®			
01/21/82	IC	KS	WH	SHEET 1 OF 1			
			03/01/96	01/25/82	PART No.		
NAME				RIGHT ANGLE PC FEMALE DIN RECEPTACLE, RoHS		62PC7F	
REVISIONS				DO NOT SCALE DRAWING		REV D	