

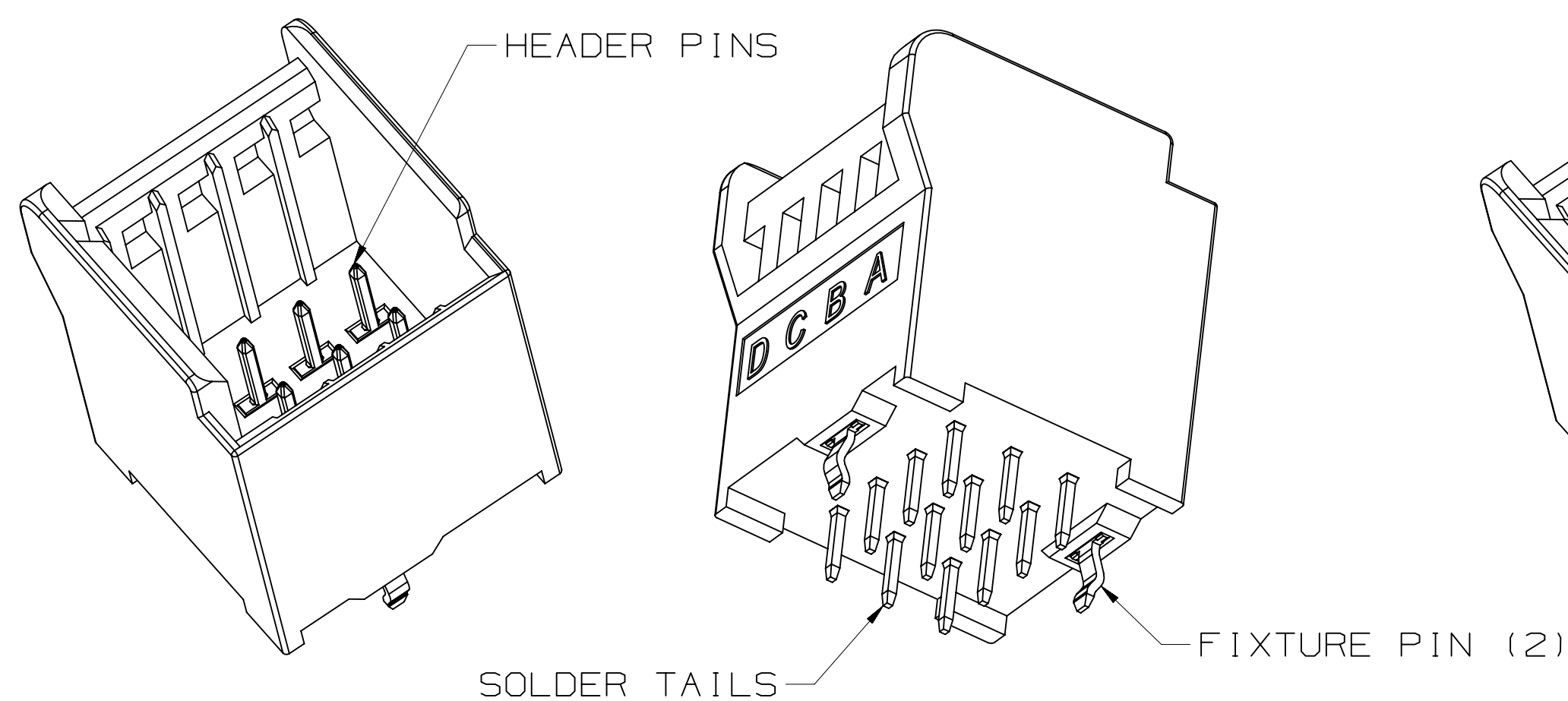
# 3M™ MINI STACK CONNECTOR, BOARDMOUNT HEADER STRAIGHT TYPE 3S6XX-62XX SERIES

NOTES

- 1 REGULATORY INFORMATION:  
VISIT 3M.com/regs
- 2 IN THE EVENT OF CONFLICT BETWEEN THIS DATA AND THAT CONTAINED IN THE PRODUCT SPECIFICATION, THE PRODUCT SPECIFICATION TAKES PRECEDENT.
- 3 REFERENCE PRODUCT SPECIFICATION PS-0363
- 4 SEE TECH SHEET TS-2725 FOR MATING SOCKETS.

12 POSITION HEADER COMMON TYPE  
3S612-62C3-B00 PP

16 POSITION HEADER COMMON TYPE  
3S616-62C4-B00 PP



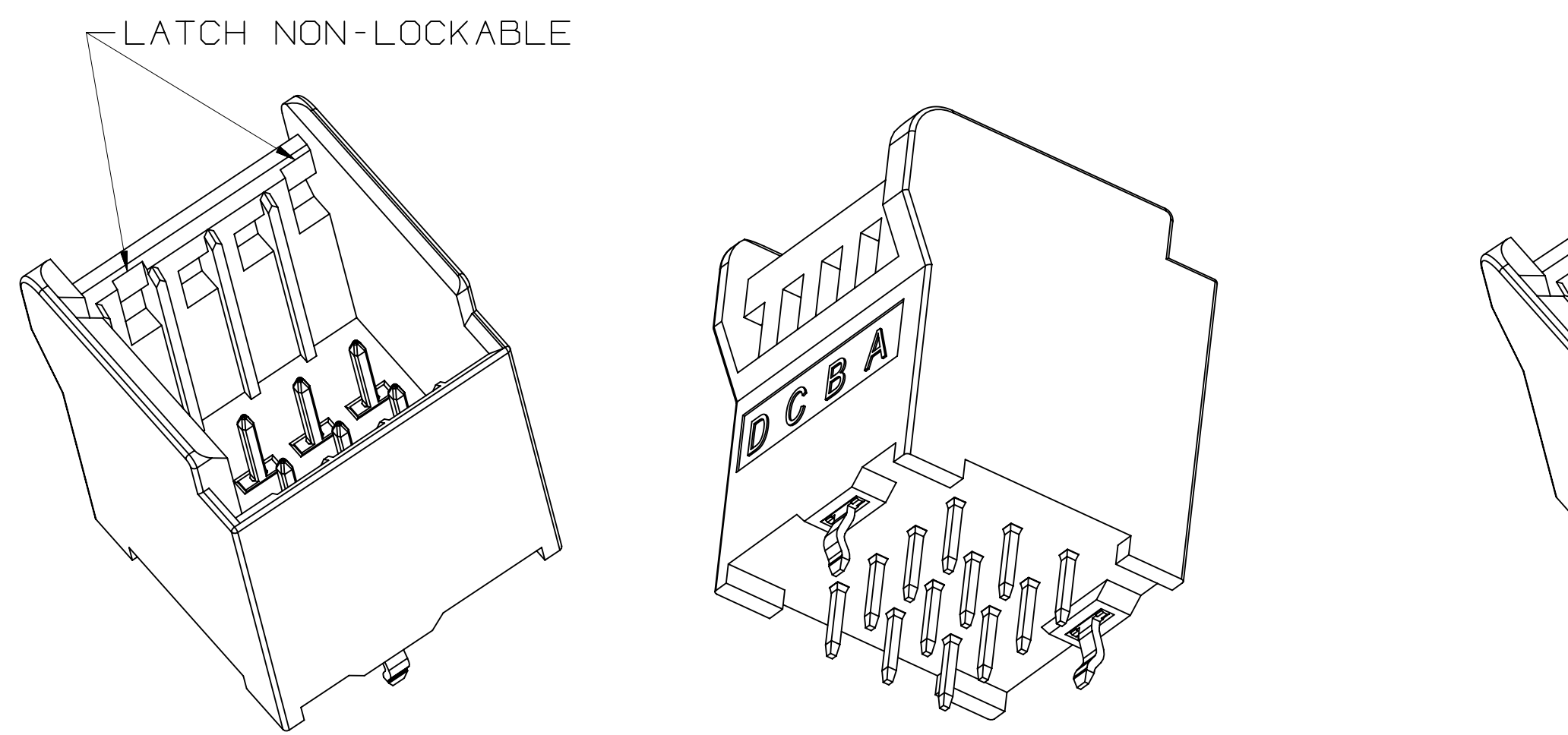
**2 PHYSICAL :**  
 INSULATOR: PBT RESIN  
 MATERIAL: PBT RESIN  
 COLOR: BLACK  
 CONTACT: COPPER ALLOY  
 MATERIAL: COPPER ALLOY  
 PLATING: NICKEL OVERALL  
 UNDER PLATING: GOLD  
 WIPING AREA: TIN  
 SOLDER TAILS: TIN  
 FIXTURE PINS: COPPER ALLOY  
 MATERIAL: COPPER ALLOY  
 PLATING: TIN PLATING OVER NICKEL PLATING

**2 ELECTRICAL :**  
 VOLTAGE: AC/DC: 32V MAX.  
 CURRENT: 2.0A MAX.

**2 ENVIRONMENTAL :**  
 TEMPERATURE: -20° C TO 85° C

12 POSITION HEADER STACK TYPE  
3S612-62S3-B00 PP

16 POSITION HEADER STACK TYPE  
3S616-62S4-B00 PP



PCB ACCOMMODATION		
PCB THICKNESS:	1.0 TO 1.6 mm (39 TO 63 mil)	SEE RECOMMENDED HOLE PATTERN

## ORDERING INFORMATION

3S6XX-62XX-B00 PP

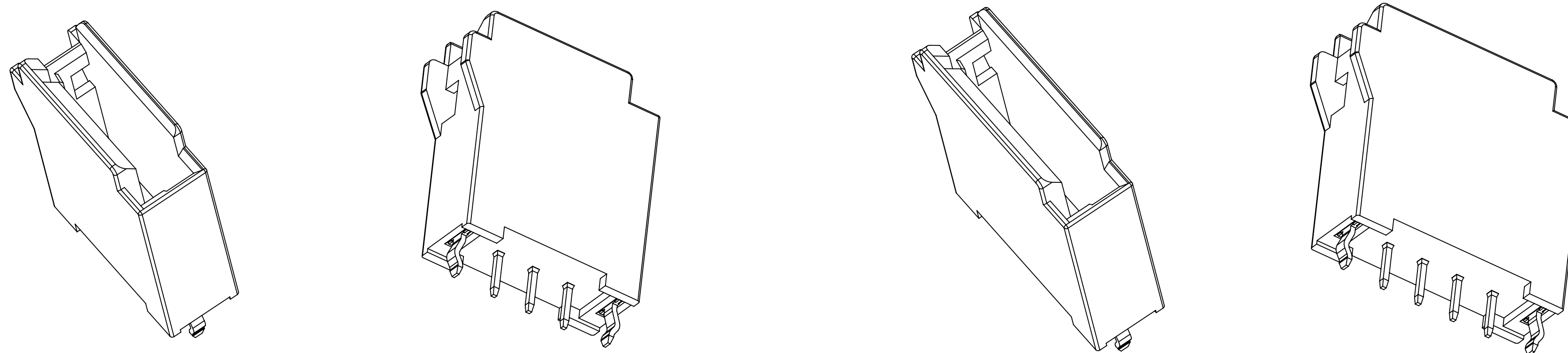
CONTACT QUANTITY:  
 03 = 3 POSITIONS  
 04 = 4 POSITIONS  
 12 = 12 POSITIONS  
 16 = 16 POSITIONS

3 = 3 POSITION WIREMOUNT CONNECTOR  
 4 = 4 POSITION WIREMOUNT CONNECTOR

BODY TYPE:  
 C = COMMON TYPE:  
 FOR WIRE MOUNT SOCKET NON-STACK TYPE AND STACK TYPE  
 S = STACK TYPE:  
 OPTIMIZED FOR WIRE MOUNT SOCKET STACK TYPE

3 POSITION HEADER COMMON TYPE  
3S603-62C3-B00 PP

4 POSITION HEADER COMMON TYPE  
3S604-62C4-B00 PP



REV	ECO	ISSUE DATE AND DESCRIPTION	DRFT	CHKD
C	110639	JUN 08, 2023 COMBINED RIGHT ANGLE	TH	YK
B	103668	APR 27, 2022 UPDATE TITLE UPDATE DESCRIPTION ADD COMMON TYPE ADD 3POS AND 4POS	TH	YK
A	95460	FEB 05, 2021 INITIAL RELEASE	LDS	FJR

3M ELECTRONICS MATERIALS SOLUTIONS DIVISION  
 INTERCONNECT SOLUTIONS  
<http://www.3M.com/interconnect>

3M IS A TRADEMARK OF 3M COMPANY.  
 FOR TECHNICAL, SALES OR ORDERING  
 INFORMATION CALL 800-225-5373



UL FILE NO : E68080

DESIGN REFERENCE	NEXT ASSEMBLY	REV	ECO	ISSUE DATE AND DESCRIPTION	DRFT	CHKD
		L	SCHMIDT	FEB 02, 2021		
		F	RODRIGUEZ	FEB 05, 2021		

DO NOT SCALE DRAWING	SCALE FREE	TOLERANCES EXCEPT AS NOTED
		INCHES .00 ± .000 ± .0000 ±
		MILLIMETERS 0 ±.2 .00 ±.13 .000 ±.005

TITLE	CAGE NUMBER	SIZE	DRAWING NO.	REV.
MINI STACK CONNECTOR BOARDMOUNT HEADER 3S6XX-X2XX-B00 PP	D	78-5100-2726-7	C	

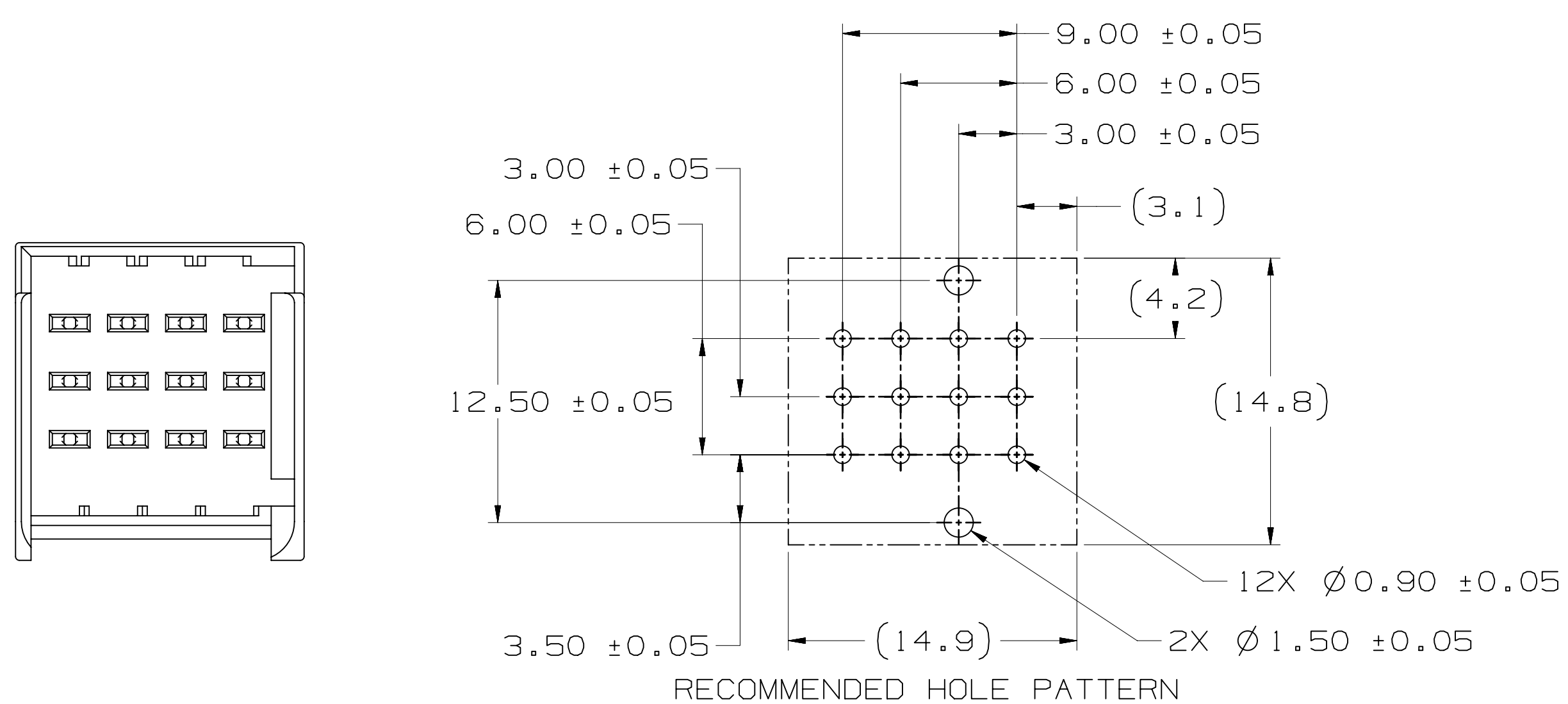
78-5100-2726-7

A

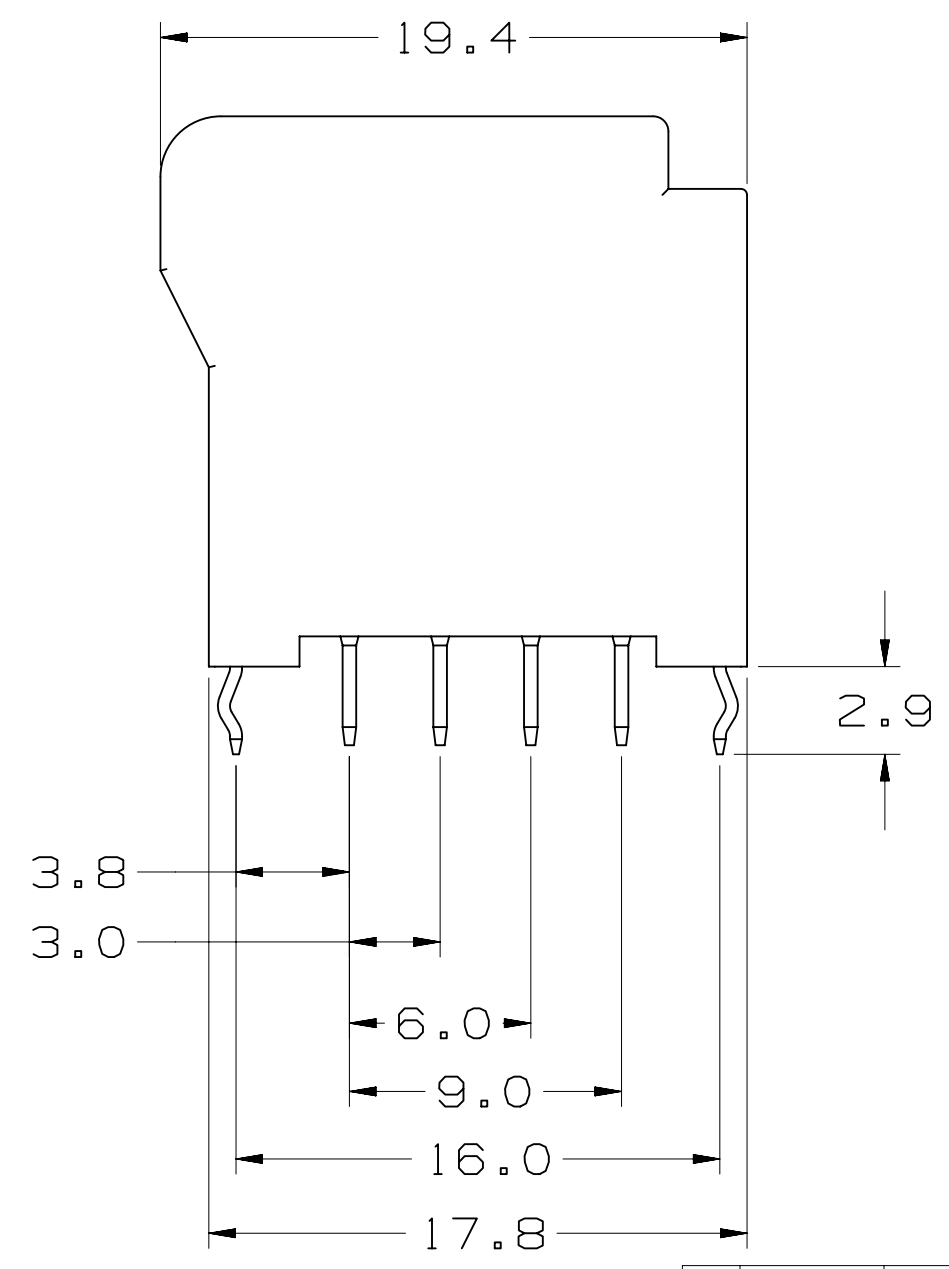
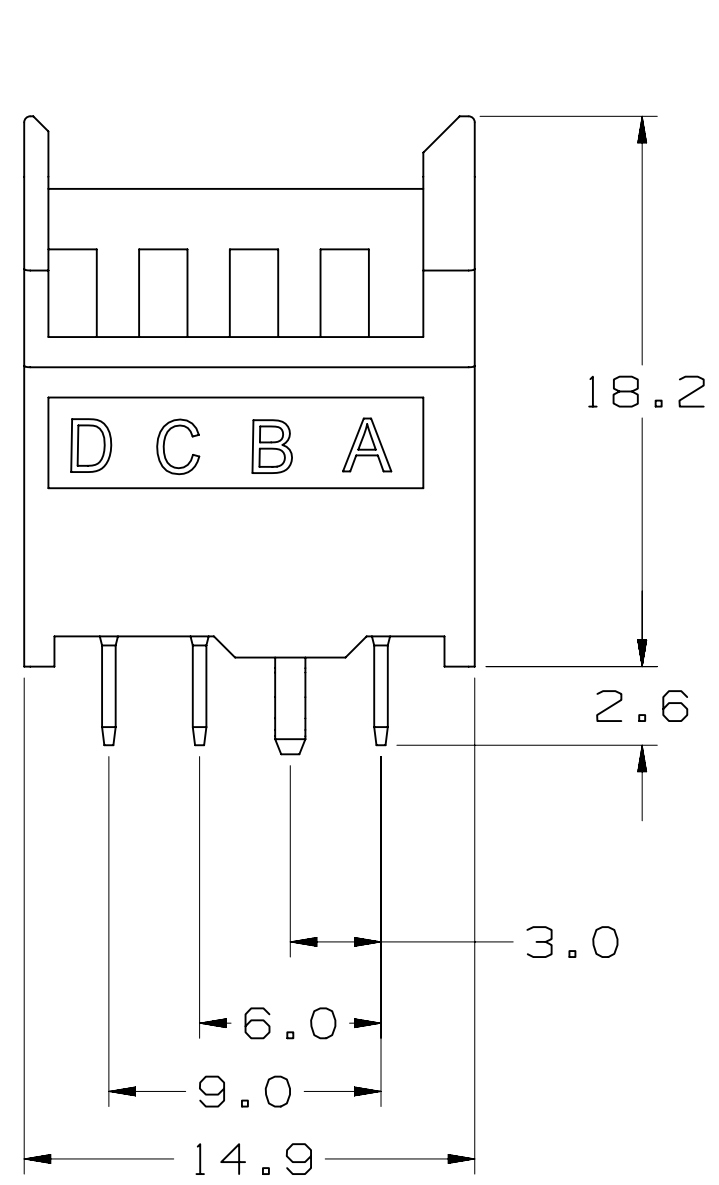
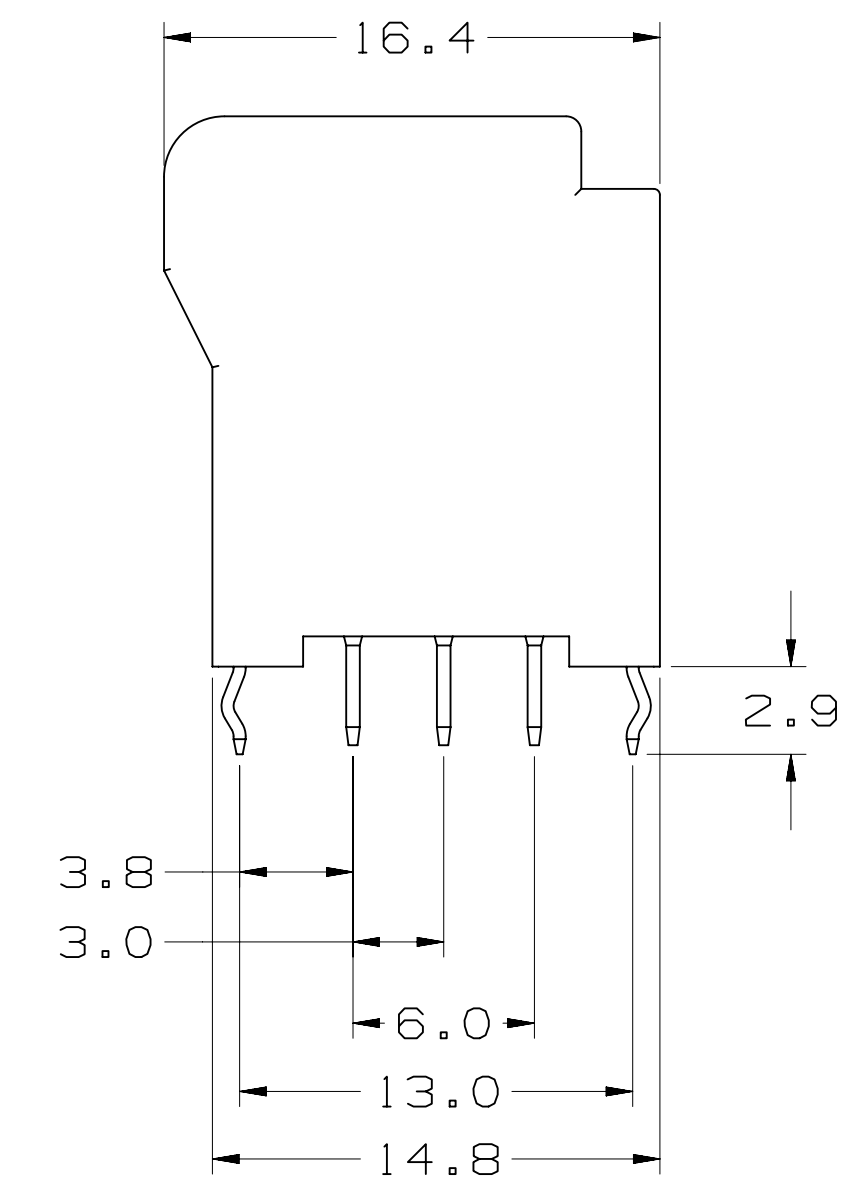
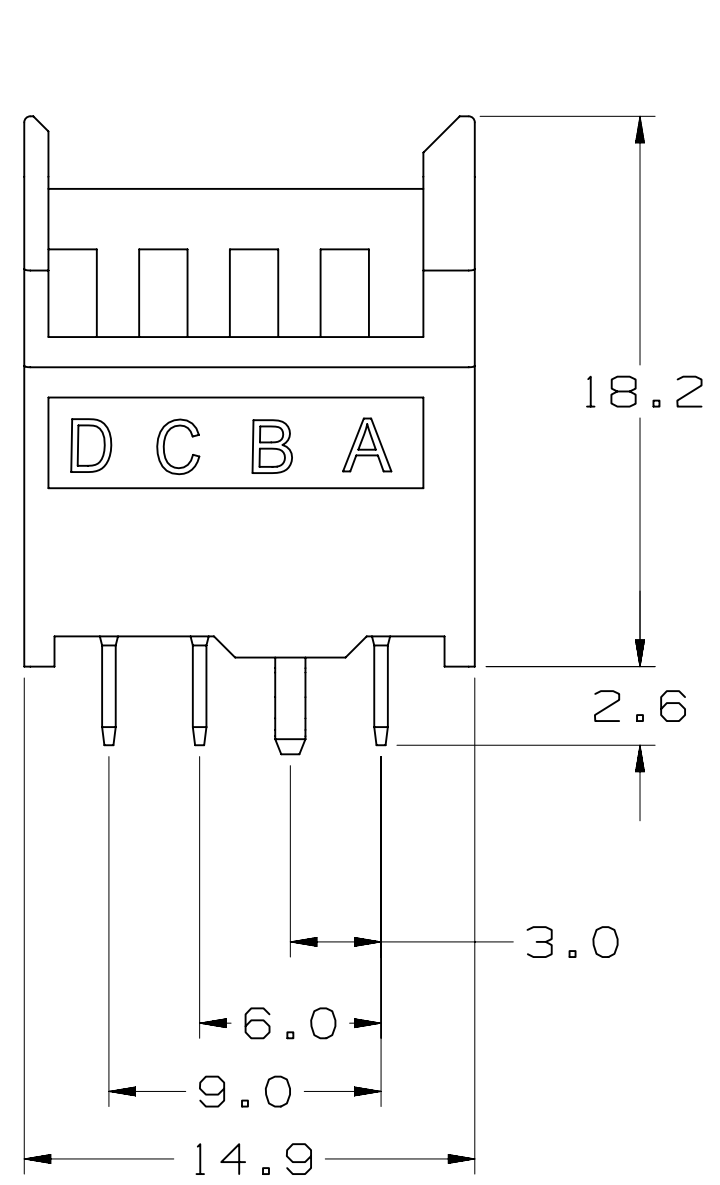
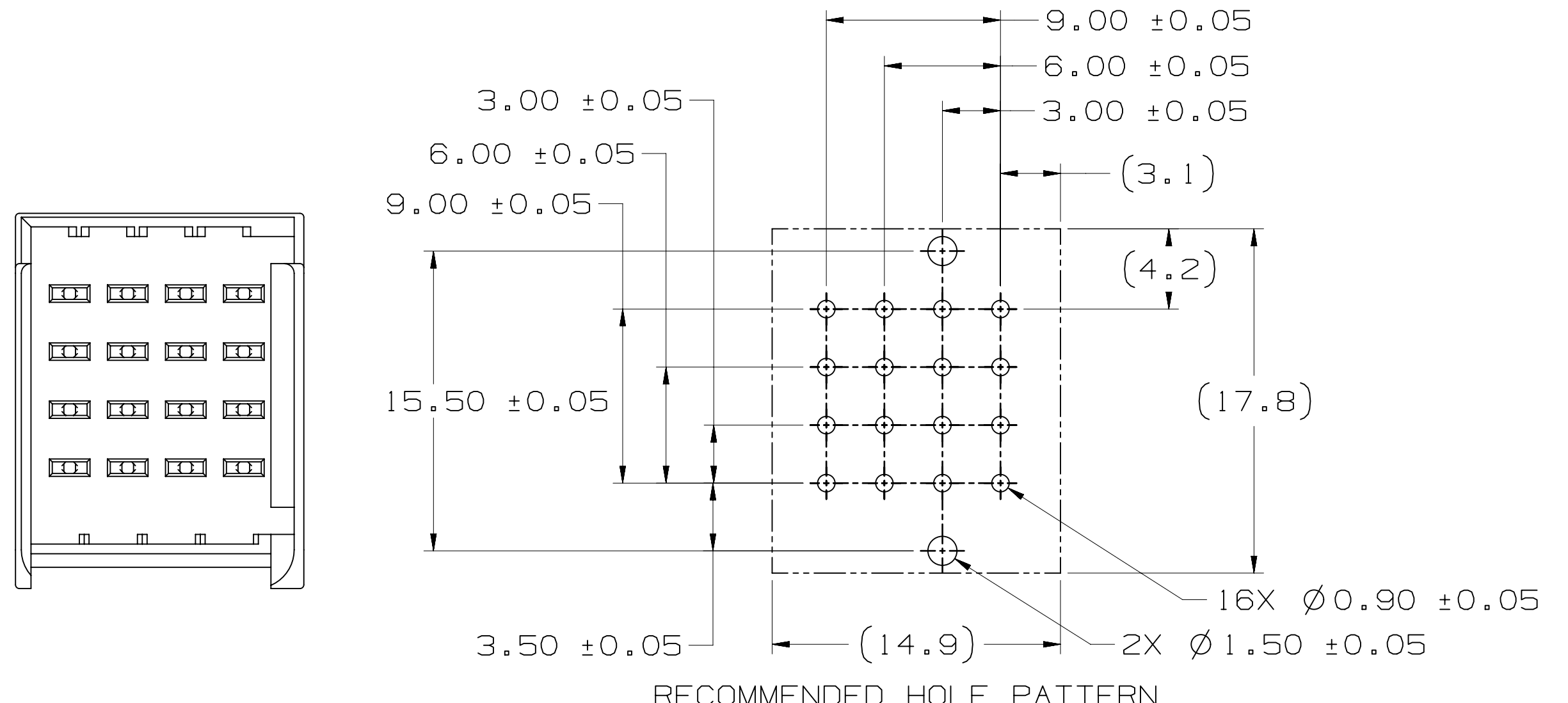
SHT 1 OF 9

3M™ MINI STACK CONNECTOR, BOARDMOUNT HEADER STRAIGHT TYPE  
3S6XX-62XX SERIES

12 POSITION  
3S612-62X3-B00 PP



16 POSITION  
3S616-62X4-B00 PP



C	110639	JUN 08, 2023	TH	YK
COMBINED RIGTH ANGLE				
B	103668	APR 27, 2022	TH	YK
UPDATE TITLE UPDATE DESCRIPTION ADD COMMON TYPE ADD 3POS AND 4POS				
A	95460	FEB 05, 2021	LDS	FJR
INITIAL RELEASE				

DESIGN REFERENCE	NEXT ASSEMBLY	REV	ECO	ISSUE DATE AND DESCRIPTION	DRFT	CHKD
		L	SCHMIDT	FEB 02, 2021		
DIVISION	DIVISION CODE	DATE	DATE	DATE	DATE	DATE
DO NOT SCALE DRAWING	SCALE FREE	TOLERANCES EXCEPT AS NOTED				
THIRD ANGLE PROJECTION	INTERPRET PER ASME Y14.5-2018	MILLIMETERS	© 3M COPYRIGHT 2022 This document and the information it contains are 3M property and may not be reproduced or further distributed without 3M permission, or used or disclosed other than for 3M authorized purposes. All rights reserved.			
MAX SURFACE ROUGHNESS 125 SURFACES MARKED ONLY	ANGLES ± 1°	MINI STACK CONNECTOR BOARDMOUNT HEADER 3S6XX-X2XX-B00 PP		CAGE NUMBER	SIZE	DRAWING NO.
		UL FILE NO : E68080		D	78-5100-2726-7	C
				MODEL	LISTS	YES <input type="checkbox"/> NO <input checked="" type="checkbox"/> SHT 2 OF 9



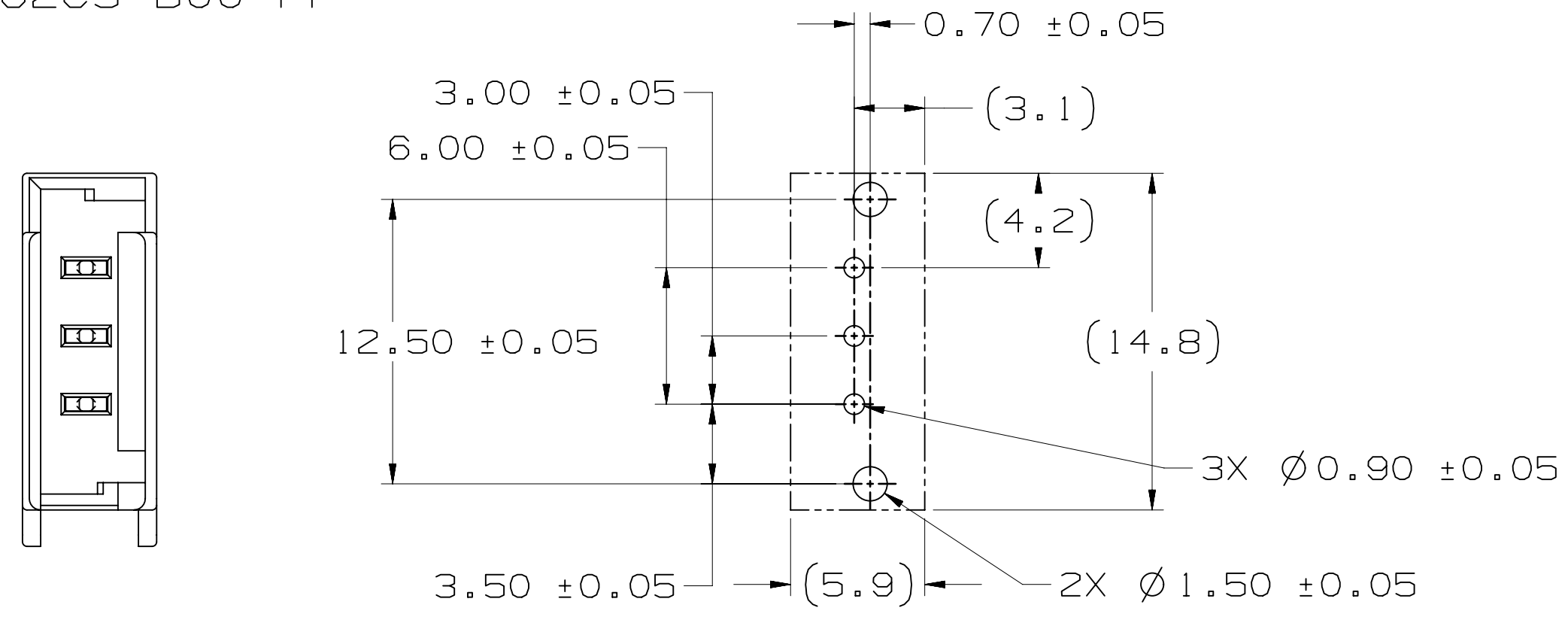
UL FILE NO : E68080

78-5100-2726-7  
DRAWING NUMBER

A

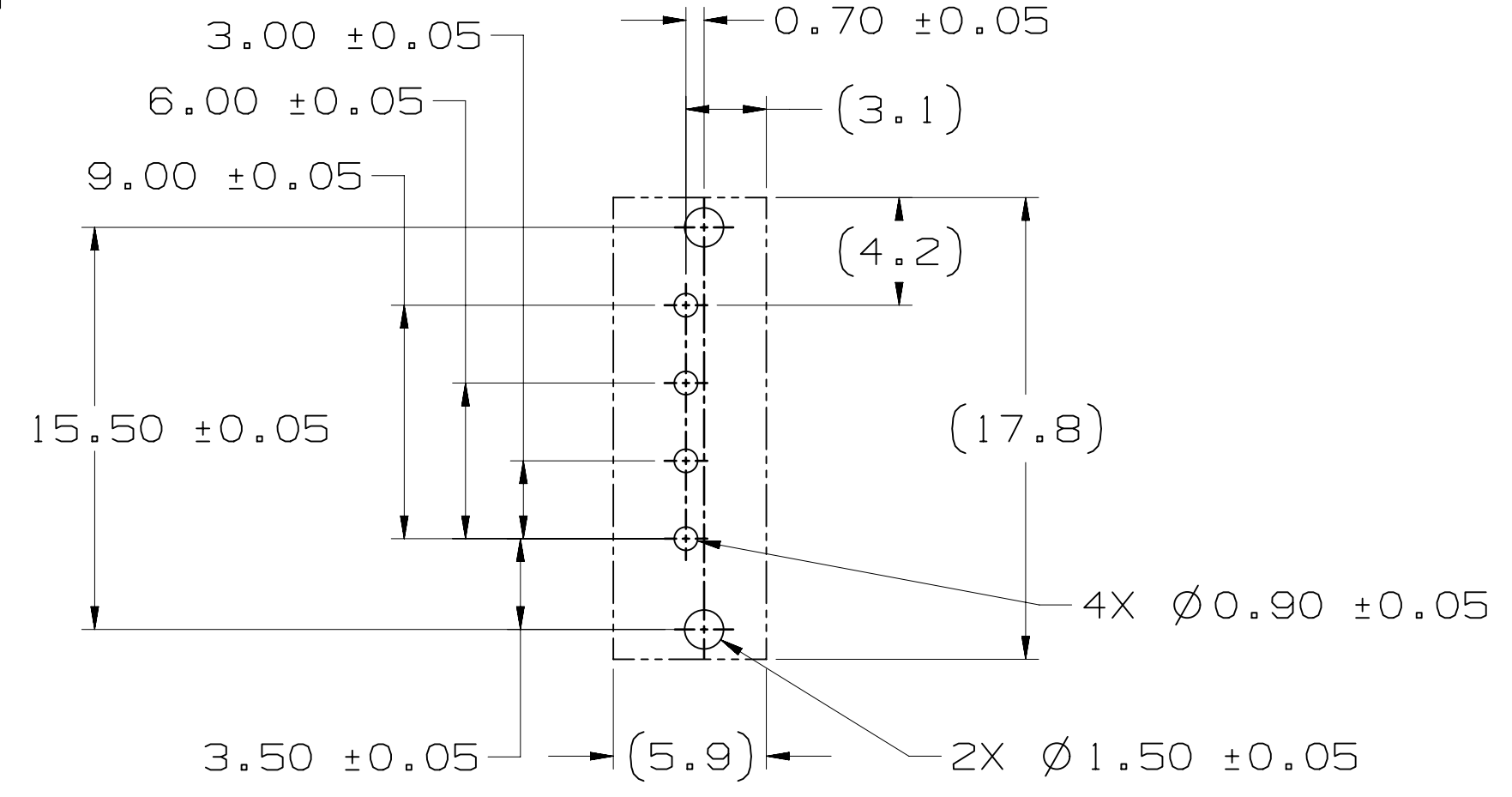
3M™ MINI STACK CONNECTOR, BOARDMOUNT HEADER STRAIGHT TYPE  
3S6XX-62XX SERIES

3 POSITION  
3S603-62C3-B00 PP

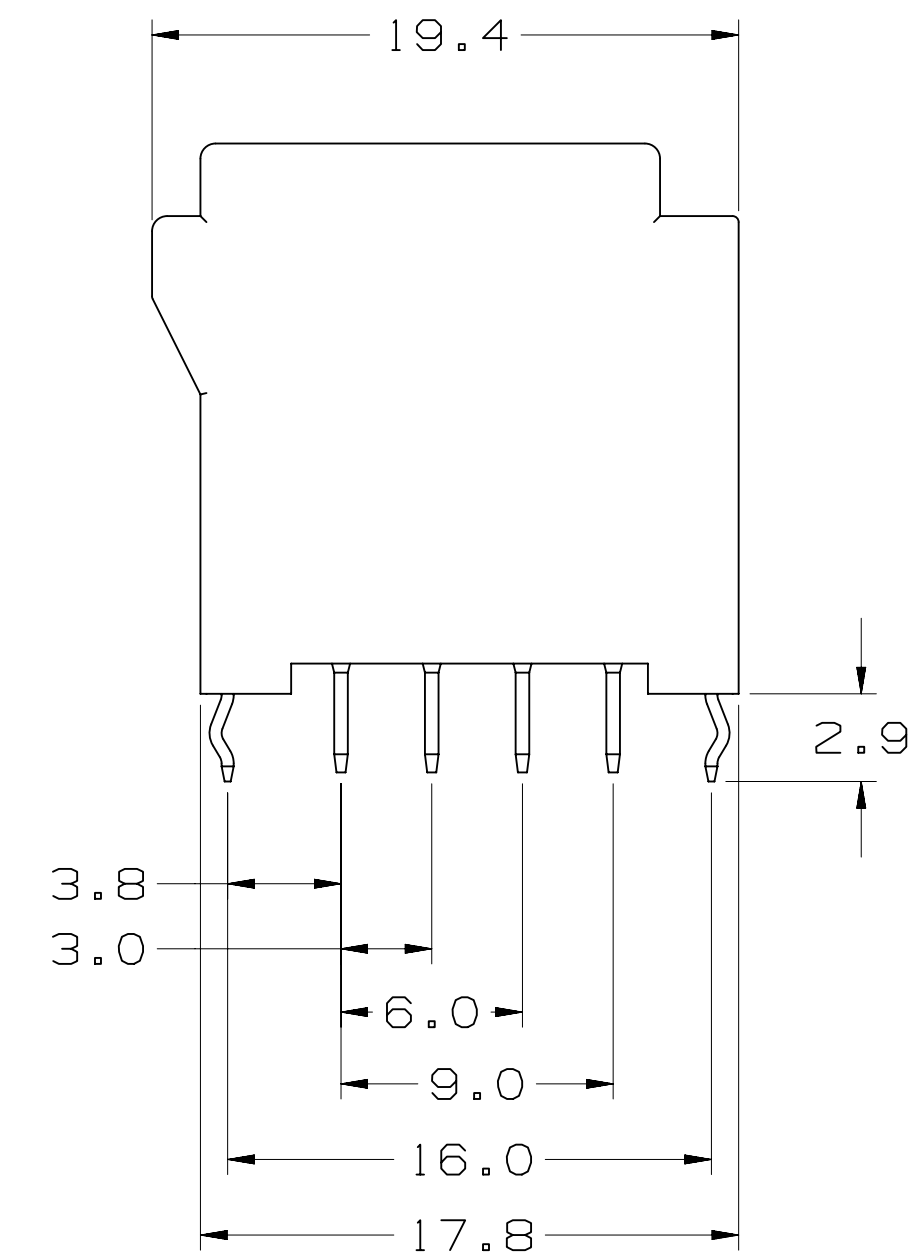
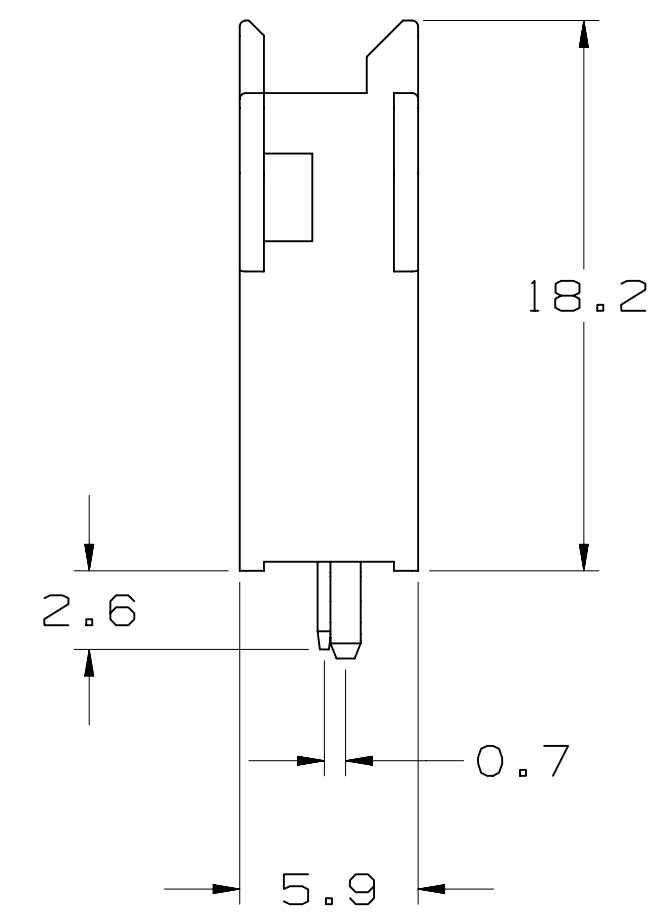
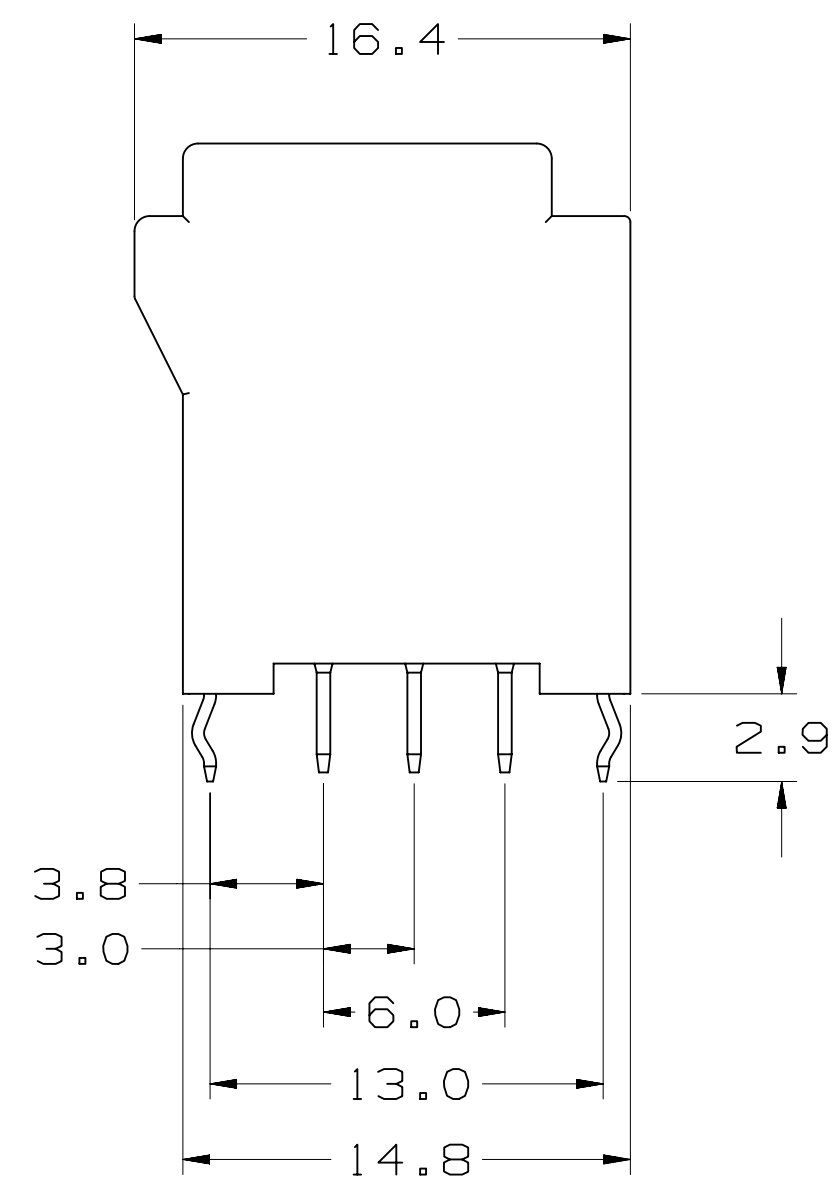
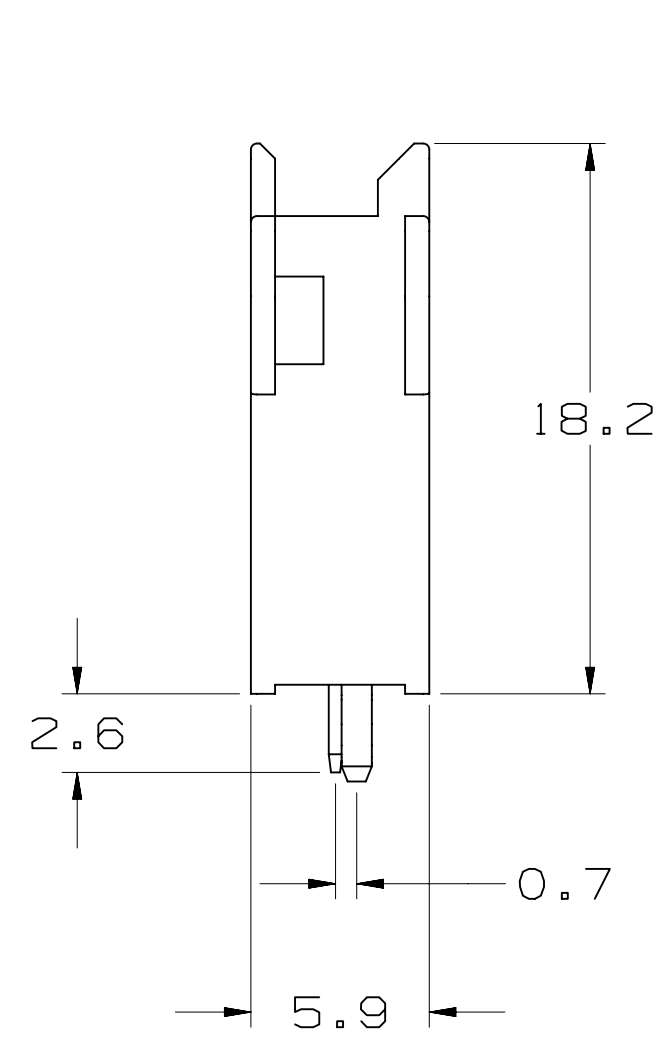


RECOMMENDED HOLE PATTERN

4 POSITION  
3S604-62C4-B00 PP



RECOMMENDED HOLE PATTERN



C	110639	JUN 08, 2023	TH	YK
		COMBINED RIGTH ANGLE		
B	103668	APR 27, 2022	TH	YK
		UPDATE TITLE UPDATE DESCRIPTION ADD COMMON TYPE ADD 3POS AND 4POS		
A	95460	FEB 05, 2021	LDS	FJR
		INITIAL RELEASE		
REV	ECO	ISSUE DATE AND DESCRIPTION	DRFT	CHKD
DRP	L SCHMIDT	FEB 02, 2021		
CHKD				
APPR	F RODRIGUEZ	FEB 05, 2021		
DATE				

DESIGN REFERENCE	NEXT ASSEMBLY
SCALE	TOLERANCES EXCEPT AS NOTED
DO NOT SCALE DRAWING	FREE
THIRD ANGLE PROJECTION	INTERPRET PER ASME Y14.5-2018
MAX SURFACE ROUGHNESS	125
MARKED ONLY	

		© 3M COPYRIGHT 2022 This document and the information it contains are 3M property and may not be reproduced or further distributed without 3M permission, or used or disclosed other than for 3M authorized purposes. All rights reserved.
MINI STACK CONNECTOR BOARDMOUNT HEADER 3S6XX-X2XX-B00 PP		
CAGE NUMBER	SIZE	DRAWING NO.
D		78-5100-2726-7
MODEL	REV.	
	C	



UL FILE NO : E68080

78-5100-2726-7  
DRAWING NUMBER

A

SHT 3 OF 9

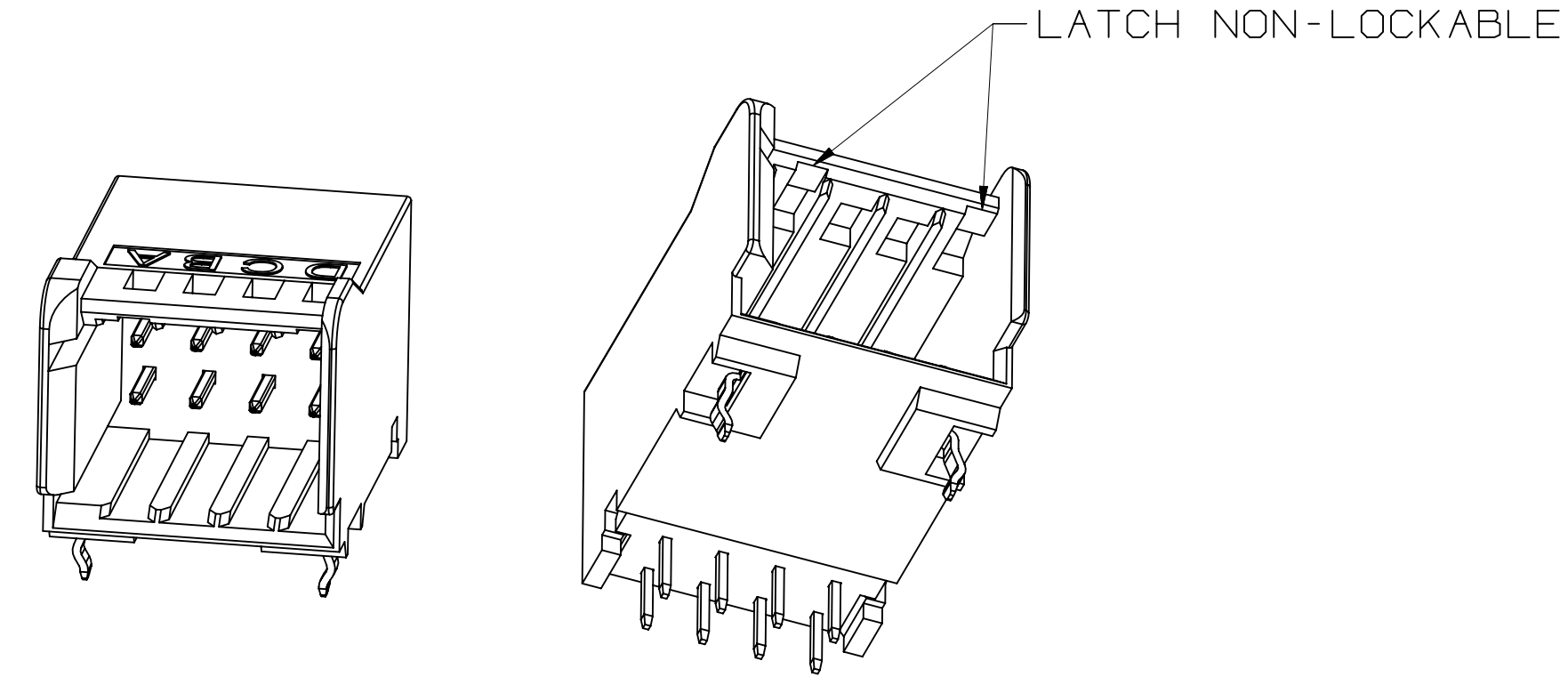
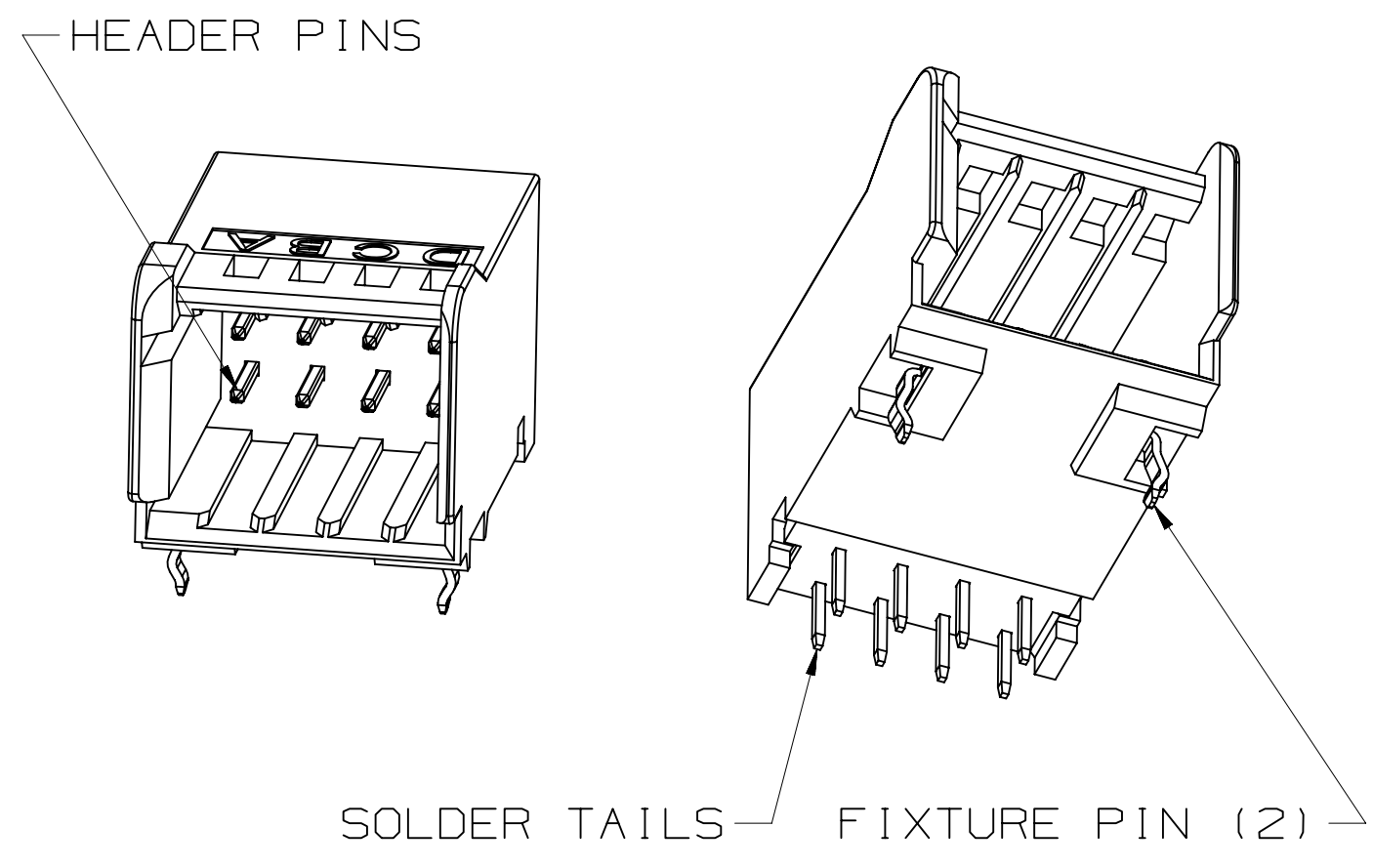
3M™ MINI STACK CONNECTOR, BOARDMOUNT HEADER RIGHT ANGLE TYPE  
3S6XX-42XX SERIES

NOTES

- REGULATORY INFORMATION: VISIT 3M.com/regs
- IN THE EVENT OF CONFLICT BETWEEN THIS DATA AND THAT CONTAINED IN THE PRODUCT SPECIFICATION, THE PRODUCT SPECIFICATION TAKES PRECEDENT.
- REFERENCE PRODUCT SPECIFICATION PS-0402
- SEE TECH SHEET TS-2725 FOR MATING SOCKETS.

8 POSITION HEADER COMMON TYPE  
3S608-42C2-B00 PP

8 POSITION HEADER STACK TYPE  
3S608-42S2-B00 PP



2 PHYSICAL :

INSULATOR: PBT RESIN  
MATERIAL: PBT RESIN  
COLOR: BLACK  
CONTACT: COPPER ALLOY  
MATERIAL: COPPER ALLOY  
PLATING: NICKEL OVERALL  
UNDER PLATING: NICKEL OVERALL  
WIPING AREA: GOLD  
SOLDER TAILS: TIN  
FIXTURE PINS: COPPER ALLOY  
PLATING: TIN PLATING OVER NICKEL PLATING

2 ELECTRICAL :

VOLTAGE: AC/DC: 32V MAX.  
CURRENT: 2.0A MAX.

2 ENVIRONMENTAL :

TEMPERATURE: -20° C TO 85° C

PCB ACCOMMODATION		
PCB THICKNESS:	1.0 TO 1.6 mm (39 TO 63 mil)	SEE RECOMMENDED HOLE PATTERN

ORDERING INFORMATION

3S6XX-42XX-B00 PP

CONTACT QUANTITY: 2 = 2 POSITION WIREMOUNT CONNECTOR  
06 = 06 POSITIONS 3 = 3 POSITION WIREMOUNT CONNECTOR  
08 = 08 POSITIONS 4 = 4 POSITION WIREMOUNT CONNECTOR  
12 = 12 POSITIONS  
16 = 16 POSITIONS

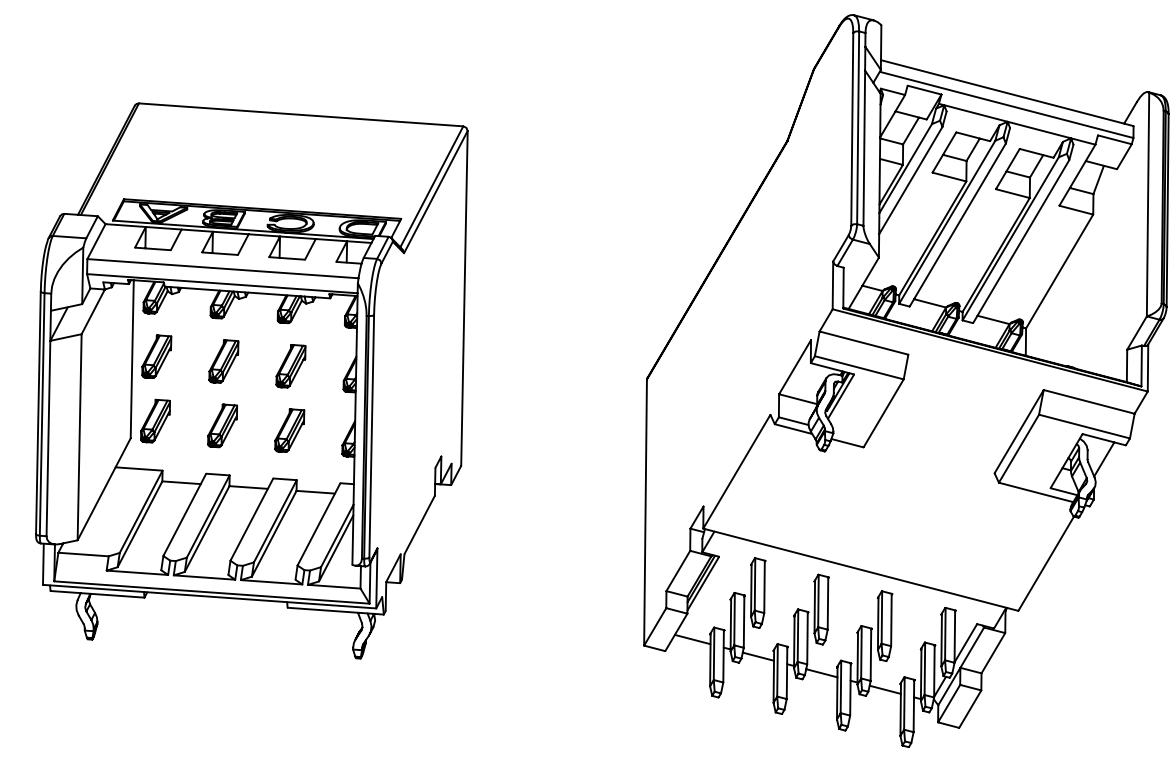
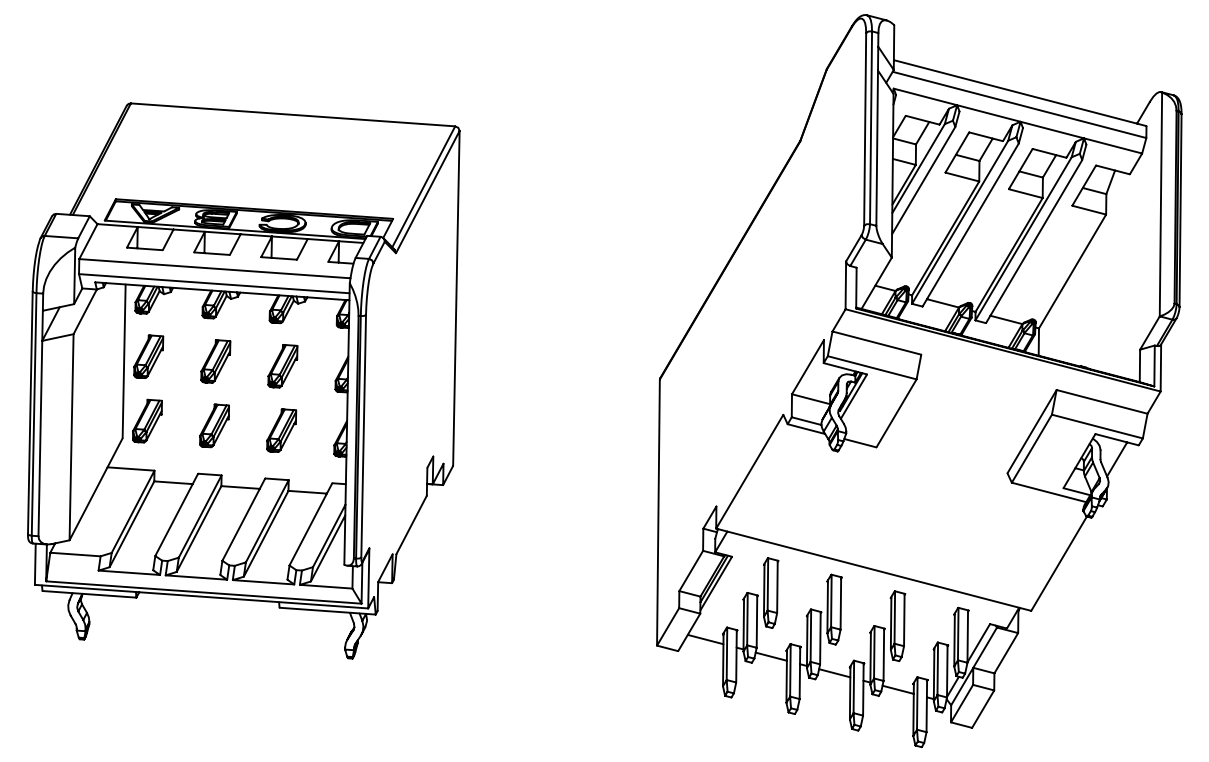
BODY TYPE:

C = COMMON TYPE: FOR WIRE MOUNT SOCKET NON-STACK TYPE AND STACK TYPE  
S = STACK TYPE: OPTIMIZED FOR WIRE MOUNT SOCKET STACK TYPE

\*6 POSITION IS ONLY AVAILABLE WITH COMMON TYPE AND 3-4 POSITION WIREMOUNT CONNECTORS

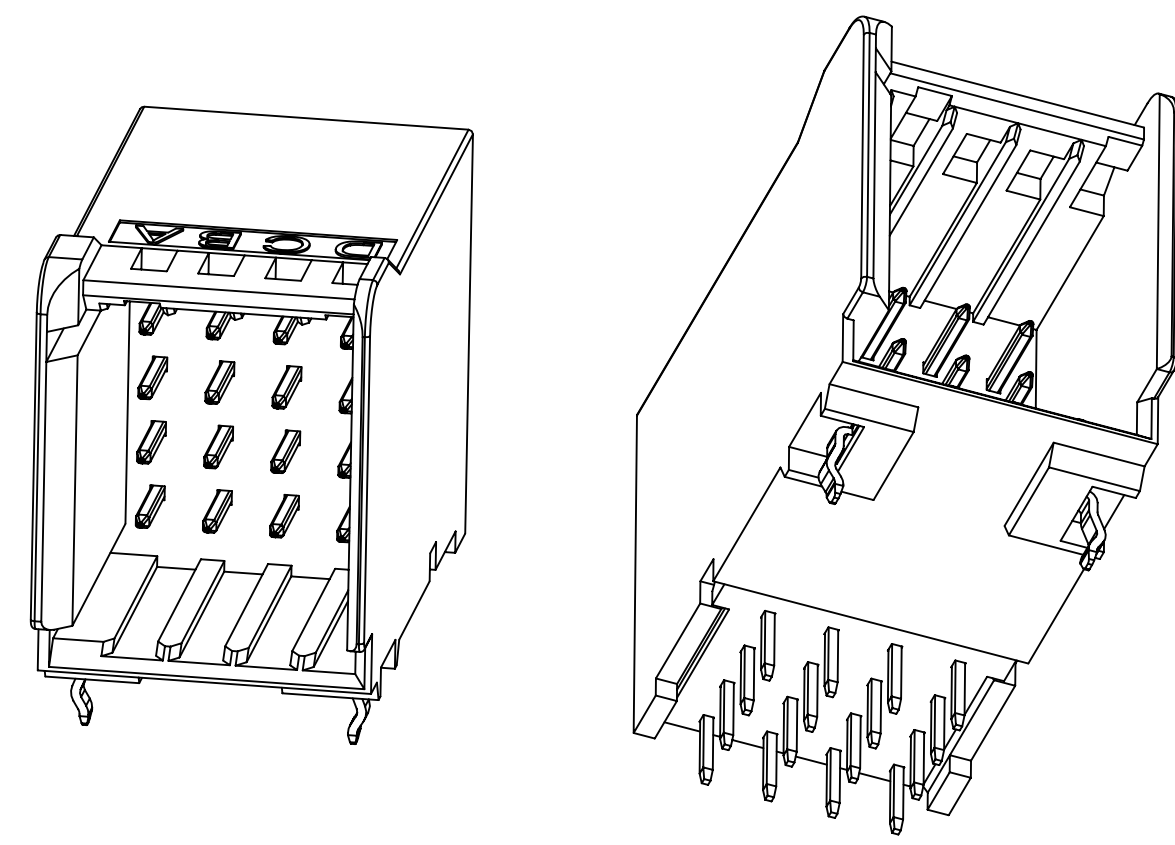
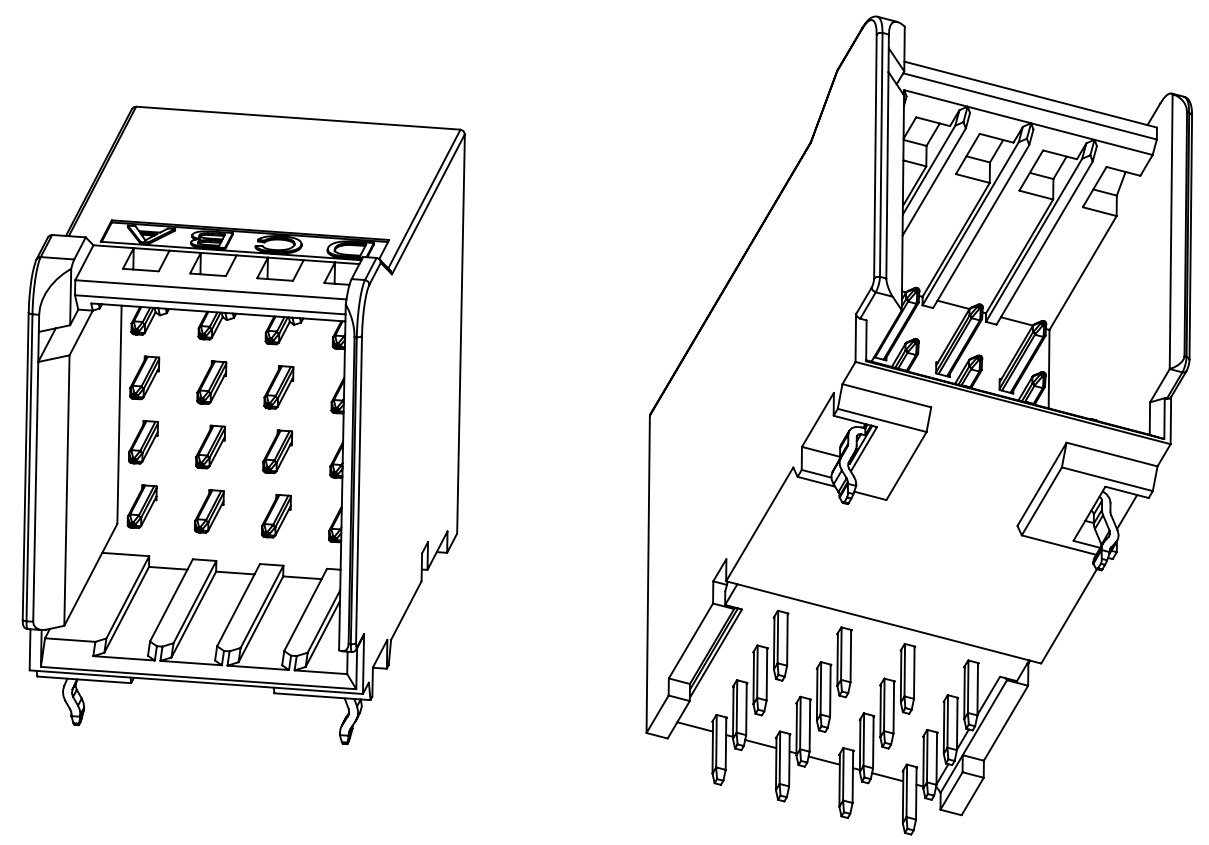
12 POSITION HEADER COMMON TYPE  
3S612-42C3-B00 PP

12 POSITION HEADER STACK TYPE  
3S612-42S3-B00 PP



16 POSITION HEADER COMMON TYPE  
3S616-42C4-B00 PP

16 POSITION HEADER STACK TYPE  
3S616-42S4-B00 PP



3M ELECTRONICS MATERIALS SOLUTIONS DIVISION  
INTERCONNECT SOLUTIONS  
<http://www.3M.com/interconnect>

3M IS A TRADEMARK OF 3M COMPANY.  
FOR TECHNICAL, SALES OR ORDERING  
INFORMATION CALL 800-225-5373



UL FILE NO : E68080

REV	ECO	ISSUE DATE AND DESCRIPTION	DRFT	CHKD
C	110639	JUN 08, 2023 COMBINED RIGHT ANGLE	TH	YK
B	103668	APR 27, 2022 UPDATE TITLE UPDATE DESCRIPTION ADD COMMON TYPE ADD 3POS AND 4POS	TH	YK
A	95460	FEB 05, 2021 INITIAL RELEASE	LDS	FJR

DESIGN REFERENCE	NEXT ASSEMBLY	REV	ECO	ISSUE DATE AND DESCRIPTION	DRFT	CHKD
		L	SCHMIDT	FEB 02, 2021		

DO NOT SCALE DRAWING	SCALE FREE	TOLERANCES EXCEPT AS NOTED
		INCHES .00 ± .000 ± .0000 ±
		MILLIMETERS 0 ±.2 .0 ±.13 .000 ±.005

THIRD ANGLE PROJECTION	INTERPRET PER ASME Y14.5-2018	MAX SURFACE ROUGHNESS
		125 SURFACES MARKED ONLY

TITLE	CAGE NUMBER	SIZE	DRAWING NO.	REV.
MINI STACK CONNECTOR BOARDMOUNT HEADER 3S6XX-X2XX-B00 PP	D		78-5100-2726-7	C

78-5100-2726-7

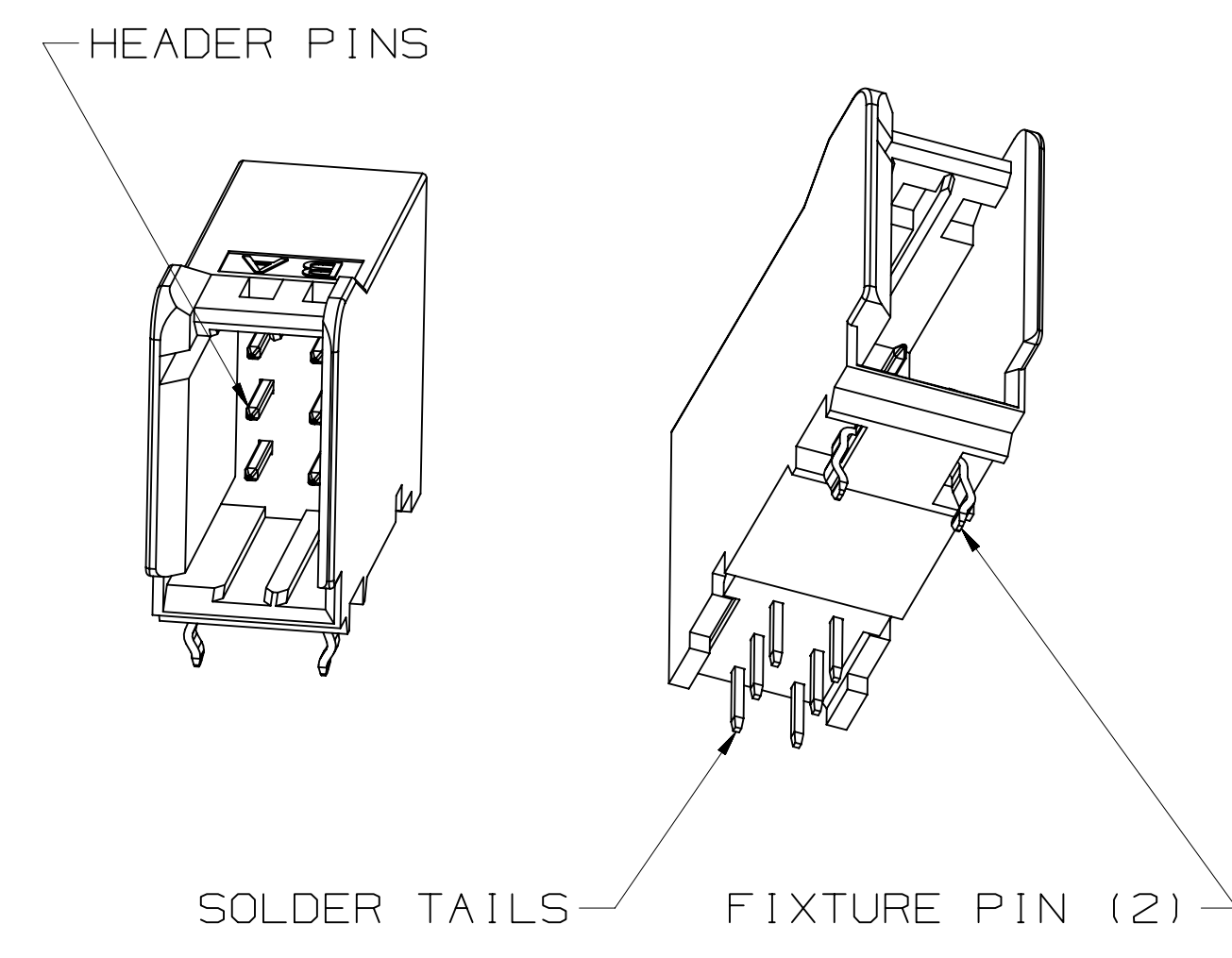
A

SHT 4 OF 9

3M™ MINI STACK CONNECTOR, BOARDMOUNT HEADER RIGHT ANGLE TYPE  
3S6XX-42XX SERIES

- NOTES
- REGULATORY INFORMATION:  
VISIT 3M.com/regs
  - IN THE EVENT OF CONFLICT BETWEEN THIS DATA AND THAT CONTAINED IN THE PRODUCT SPECIFICATION, THE PRODUCT SPECIFICATION TAKES PRECEDENT.
  - REFERENCE PRODUCT SPECIFICATION PS-0402
  - SEE TECH SHEET TS-2725 FOR MATING SOCKETS.

6 POSITION HEADER COMMON TYPE  
3S606-42C3-B00 PP



**2** PHYSICAL :

INSULATOR:  
MATERIAL: PBT RESIN  
COLOR: BLACK  
CONTACT:  
MATERIAL: COPPER ALLOY  
PLATING:  
UNDER PLATING: NICKEL OVERALL  
WIPING AREA: GOLD  
SOLDER TAILS: TIN  
FIXTURE PINS:  
MATERIAL: COPPER ALLOY  
PLATING: TIN PLATING OVER NICKEL PLATING

**2** ELECTRICAL :

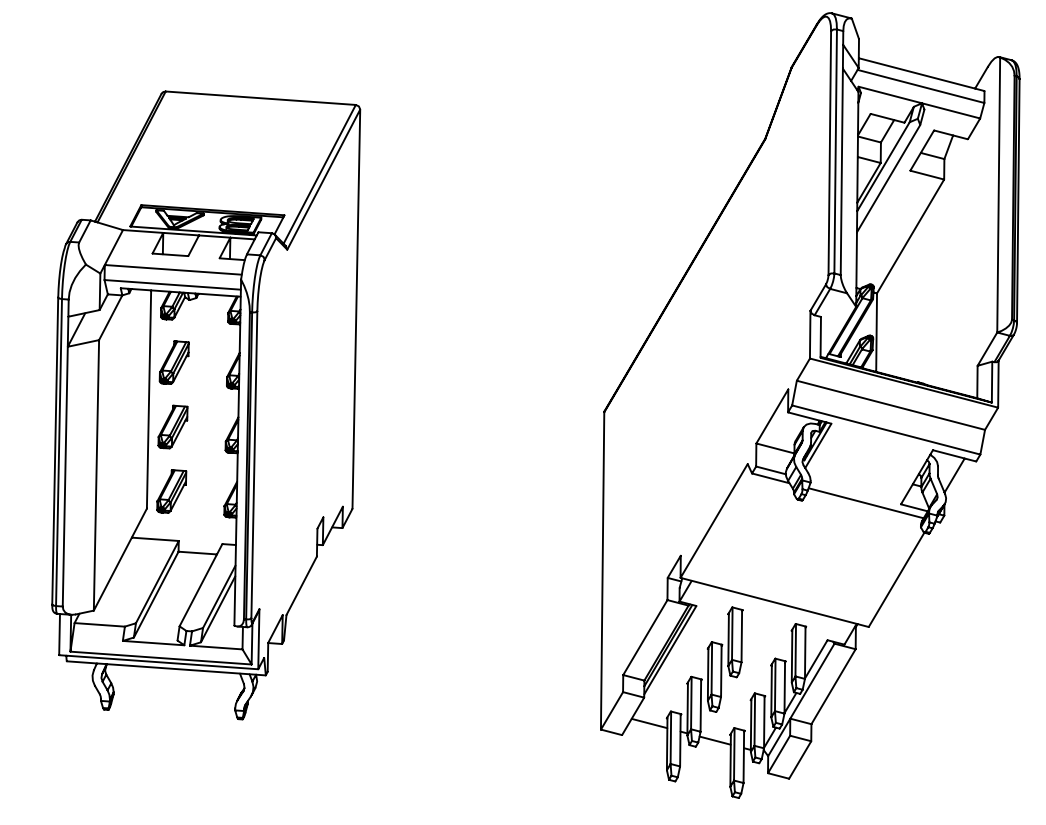
VOLTAGE: AC/DC: 32V MAX.  
CURRENT: 2.0A MAX.

**2** ENVIRONMENTAL :

TEMPERATURE: -20° C TO 85° C

PCB ACCOMMODATION		
PCB THICKNESS:	1.0 TO 1.6 mm (39 TO 63 mil)	SEE RECOMMENDED HOLE PATTERN

8 POSITION HEADER COMMON TYPE  
3S608-42C4-B00 PP



REV	ECO	ISSUE DATE AND DESCRIPTION	DRFT	CHKD
C	110639	JUN 08, 2023 COMBINED RIGTH ANGLE	TH	YK
B	103668	APR 27, 2022 UPDATE TITLE UPDATE DESCRIPTION ADD COMMON TYPE ADD 3POS AND 4POS	TH	YK
A	95460	FEB 05, 2021 INITIAL RELEASE	LDS	FJR

3M ELECTRONICS MATERIALS SOLUTIONS DIVISION  
INTERCONNECT SOLUTIONS  
<http://www.3M.com/interconnect>  
3M IS A TRADEMARK OF 3M COMPANY.  
FOR TECHNICAL, SALES OR ORDERING  
INFORMATION CALL 800-225-5373

**3M** **US**  
UL FILE NO : E68080

DESIGN REFERENCE	NEXT ASSEMBLY
APPROVED	DATE
CHKD	DATE
APPRV	DATE
APPRV	DATE

© 3M COPYRIGHT 2022  
This document and the information it contains are 3M property and may not be reproduced or further distributed without 3M permission, or used or disclosed other than for 3M authorized purposes. All rights reserved.

**3M** Center St. Paul, MN 55144

TITLE  
MINI STACK CONNECTOR  
BOARDMOUNT HEADER  
3S6XX-X2XX-B00 PP

CAGE NUMBER  
D 78-5100-2726-7

REV. C

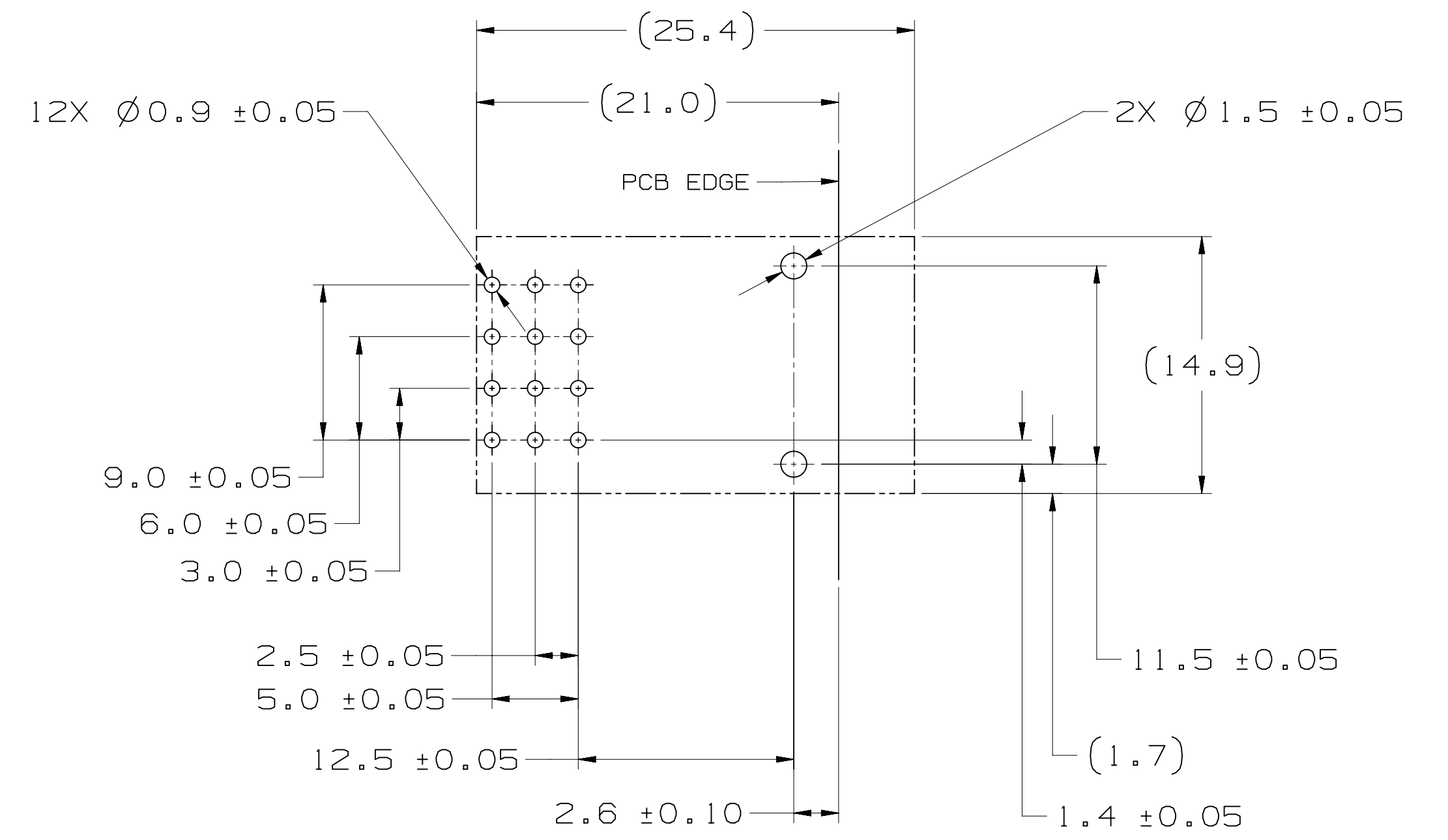
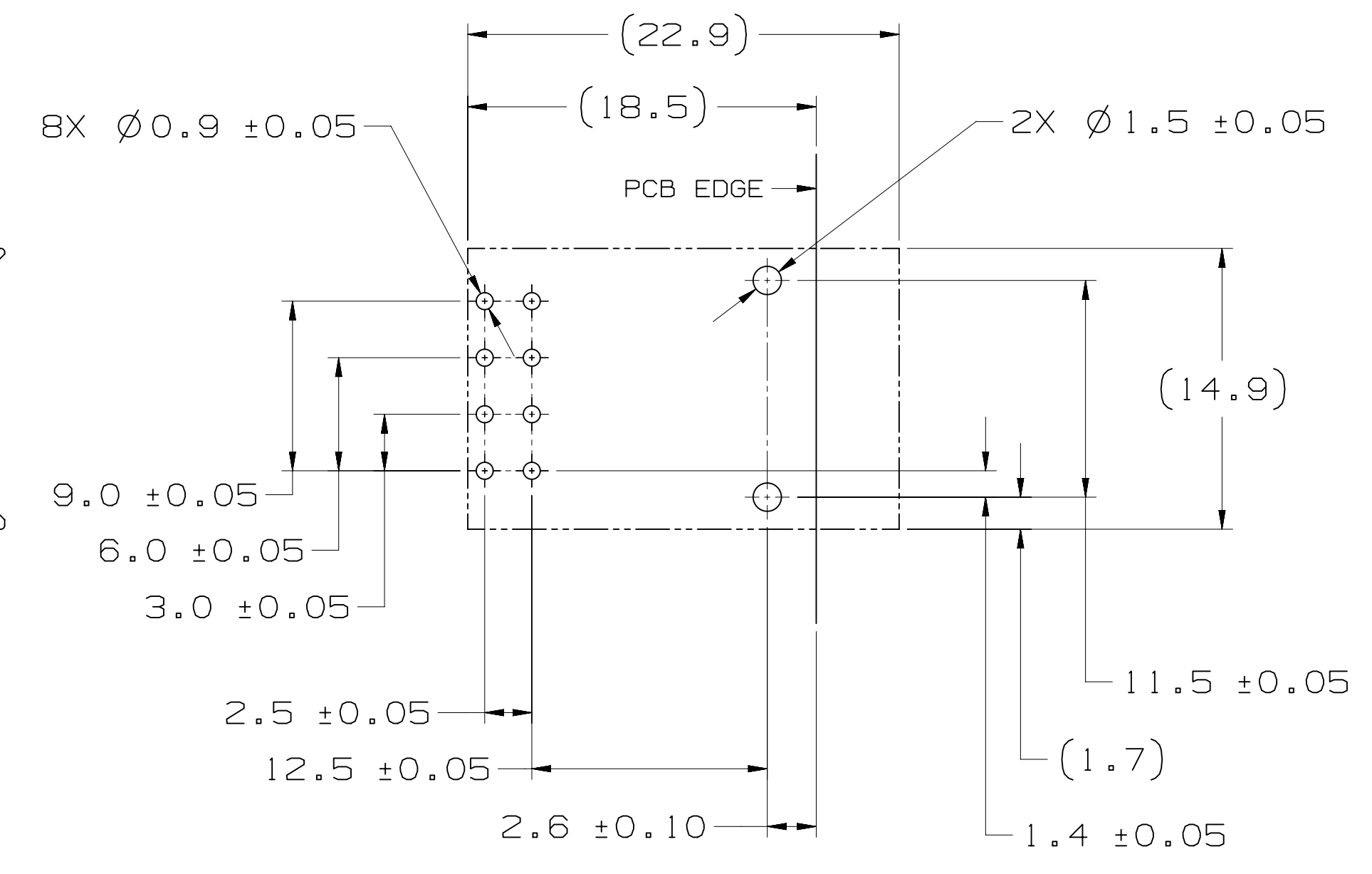
MODEL  
SHT 5 OF 9

78-5100-2726-7  
DRAWING NUMBER

3M™ MINI STACK CONNECTOR, BOARDMOUNT HEADER RIGHT ANGLE TYPE  
 3S6XX-42XX SERIES

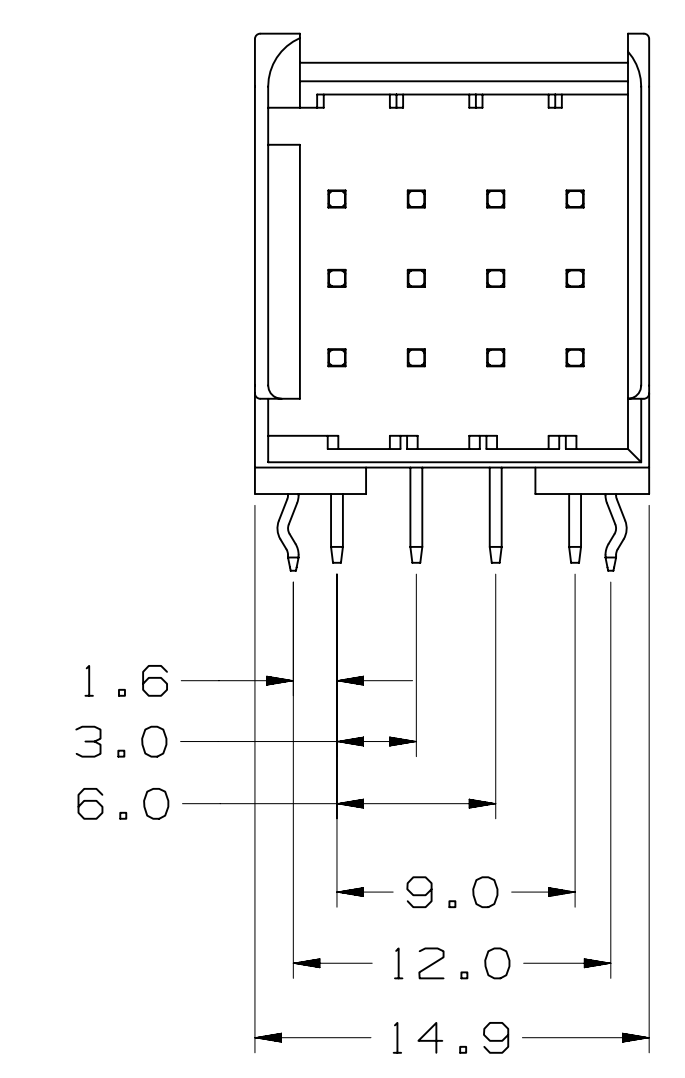
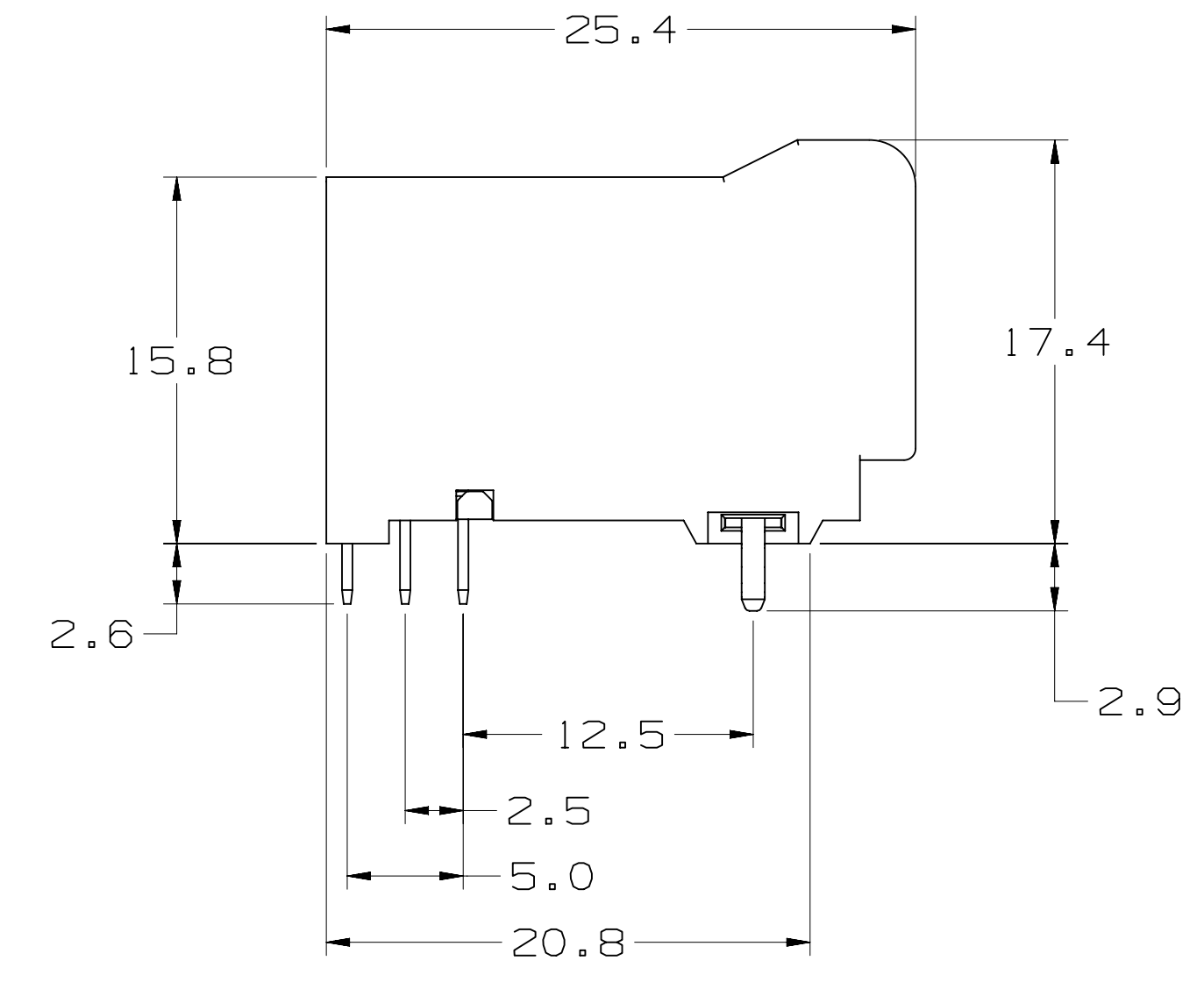
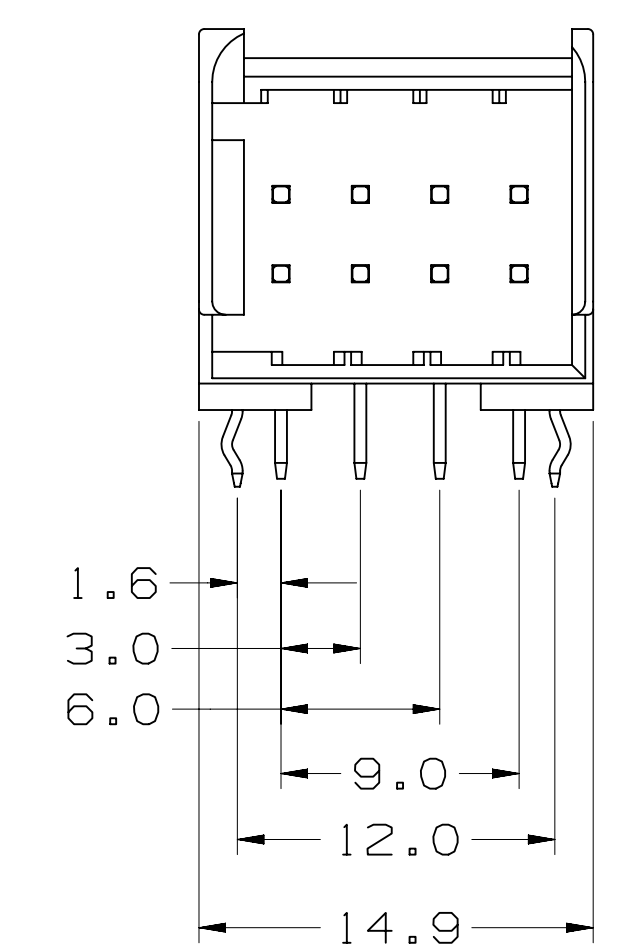
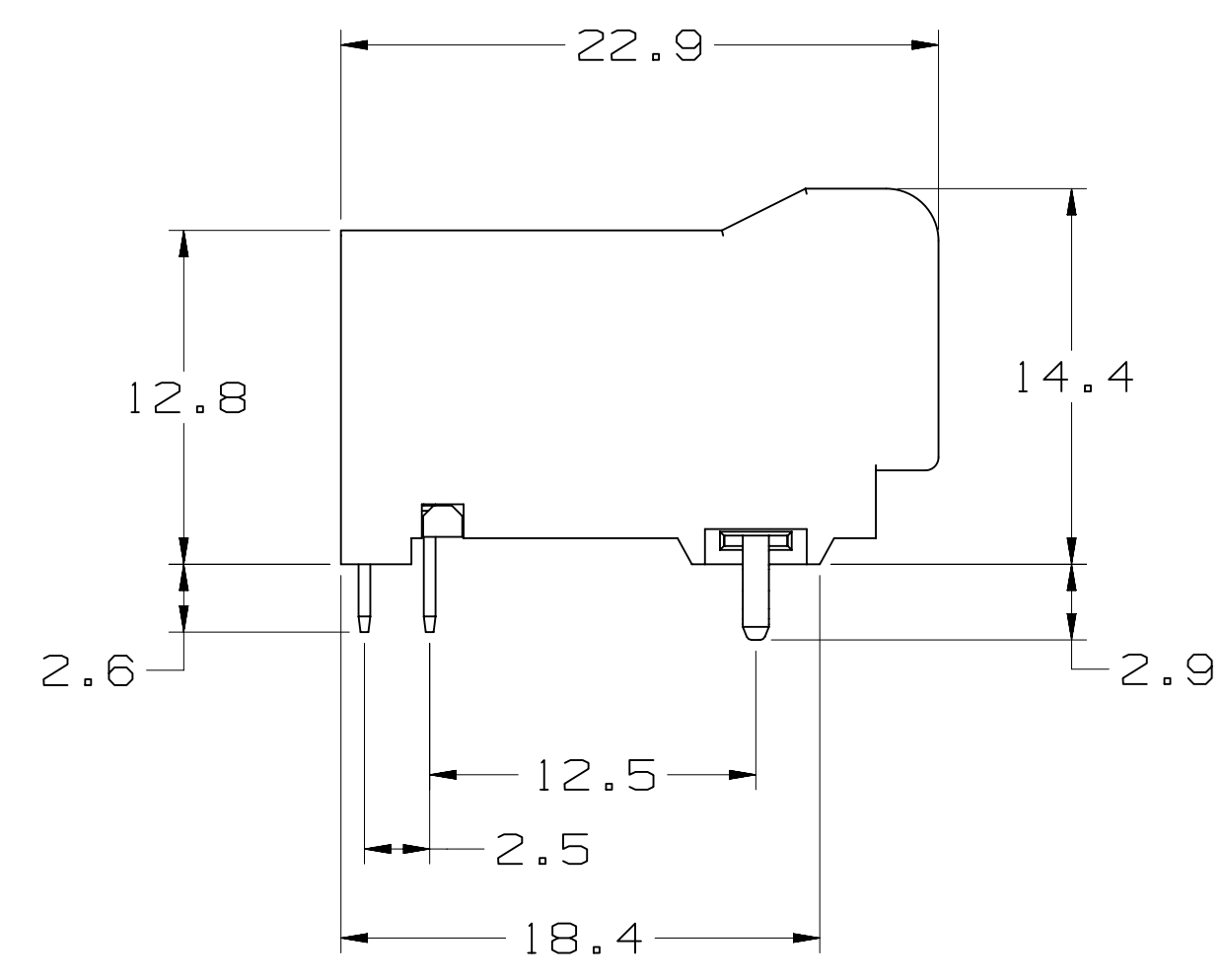
8 POSITION HEADER  
 3S608-42X2-B00 PP

12 POSITION HEADER  
 3S612-42X3-B00 PP



RECOMMENDED HOLE PATTERN

RECOMMENDED HOLE PATTERN



REV	ECO	ISSUE DATE AND DESCRIPTION	DRFT	CHKD
C	110639	JUN 08, 2023 COMBINED RIGTH ANGLE	TH	YK
B	103668	APR 27, 2022 UPDATE TITLE UPDATE DESCRIPTION ADD COMMON TYPE ADD 3POS AND 4POS	TH	YK
A	95460	FEB 05, 2021 INITIAL RELEASE	LDS	FJR

DESIGN REFERENCE	NEXT ASSEMBLY
MPN CODES	
DIVISION	DIVISION CODE
DO NOT SCALE DRAWING	SCALE FREE
TOLERANCES EXCEPT AS NOTED	
INCHES	
MILLIMETERS	
THIRD ANGLE PROJECTION	
INTERPRET PER ASME Y14.5-2018	
MAX SURFACE ROUGHNESS	
125 SURFACES	
MARKED ONLY	

		© 3M COPYR [GHT] 2022 This document and the information it contains are 3M property and may not be reproduced or further distributed without 3M permission, or used or disclosed other than for 3M authorized purposes. All rights reserved.	
TITLE MINI STACK CONNECTOR BOARDMOUNT HEADER 3S6XX-X2XX-B00 PP			
CAGE NUMBER	SIZE	DRAWING NO.	REV.
D		78-5100-2726-7	C
MODEL		DET. <input type="checkbox"/> YES <input checked="" type="checkbox"/> NO SHT 6 OF 9	

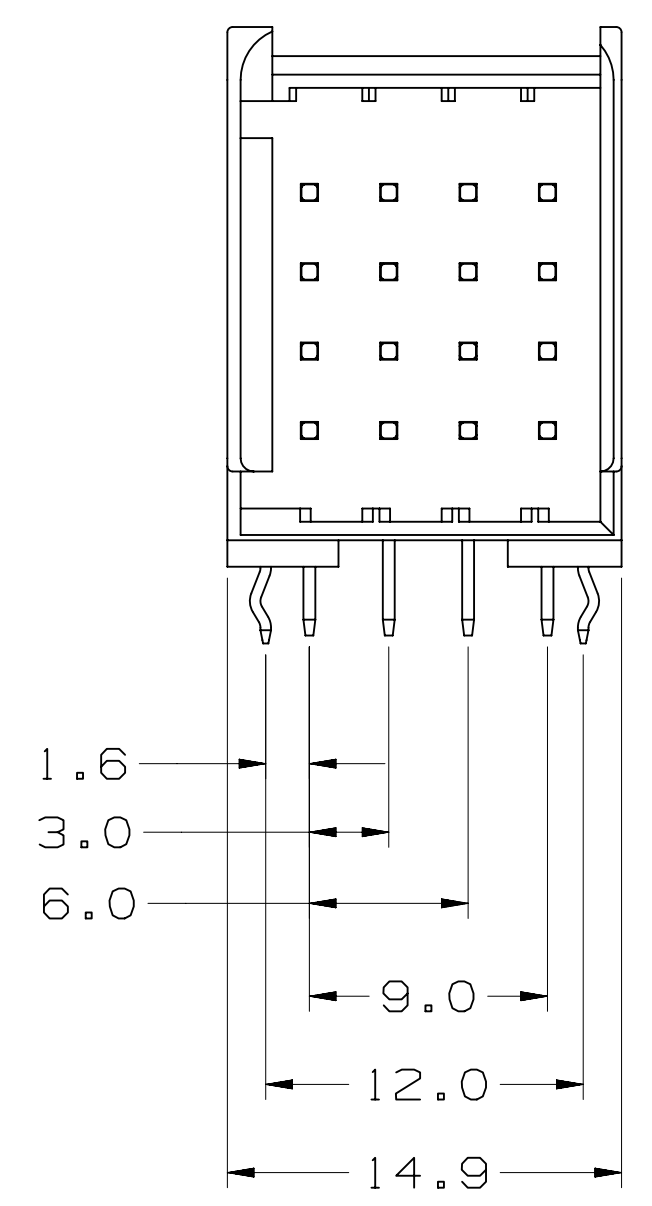
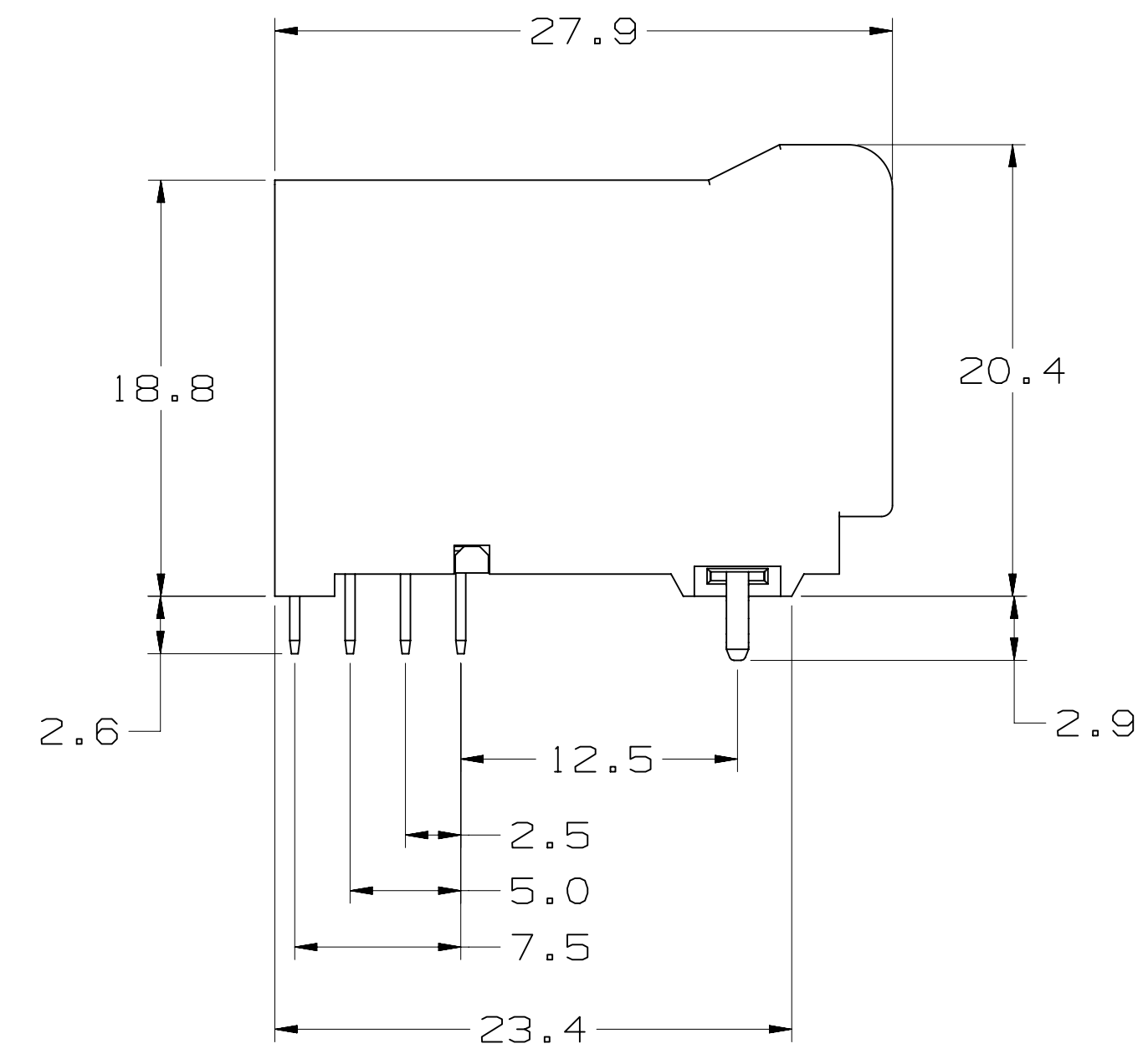
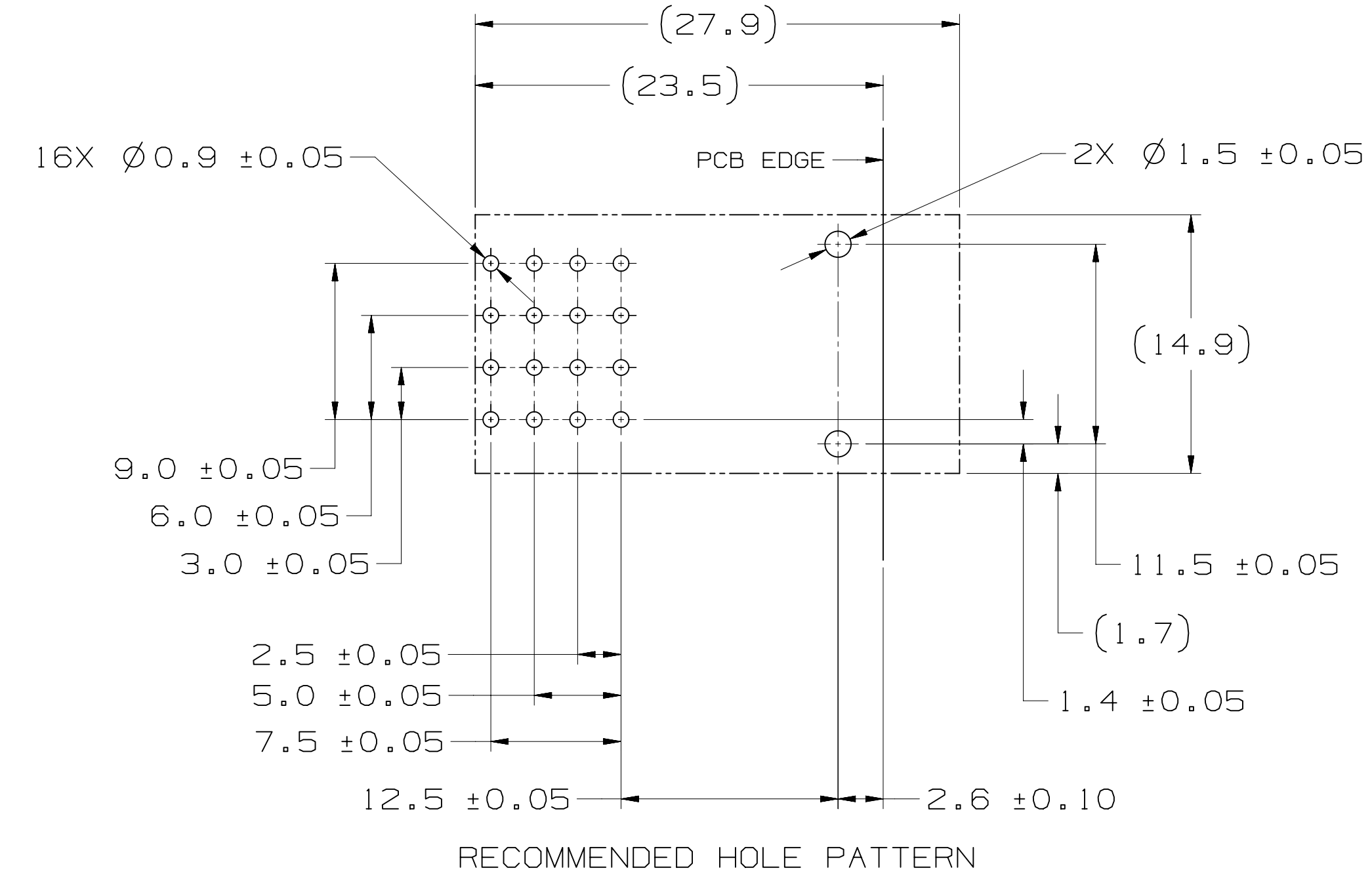
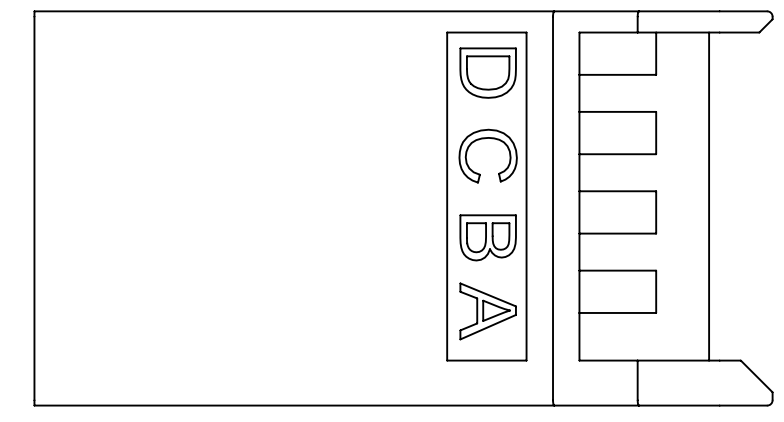


UL FILE NO : E68080

78-5100-2726-7  
DRAWING NUMBER

3M™ MINI STACK CONNECTOR, BOARDMOUNT HEADER RIGHT ANGLE TYPE  
3S6XX-42XX SERIES

16 POSITION HEADER  
3S616-42X4-B00 PP



UL FILE NO : E68080

DESIGN REFERENCE	NEXT ASSEMBLY	REV	ECO	ISSUE DATE AND DESCRIPTION	DRFT	CHKD
		C	110639	JUN 08, 2023 COMBINED RIGTH ANGLE	TH	YK
		B	103668	APR 27, 2022 UPDATE TITLE UPDATE DESCRIPTION ADD COMMON TYPE ADD 3POS AND 4POS	TH	YK
		A	95460	FEB 05, 2021 INITIAL RELEASE	LDS	FJR
				FEB 02, 2021		
				FEB 05, 2021		

DO NOT SCALE DRAWING	SCALE FREE	TOLERANCES EXCEPT AS NOTED	<p>© 3M COPYR [GHT] 2022 This document and the information it contains are 3M property and may not be reproduced or further distributed without 3M permission, or used or disclosed other than for 3M authorized purposes. All rights reserved.</p>
THIRD ANGLE PROJECTION	INTERPRET PER ASME Y14.5-2018	<p>INCHES</p> <p>.00 ±</p> <p>.000 ±</p> <p>.0000 ±</p> <p>MILLIMETERS</p> <p>0 ± .2</p> <p>.0 ± .5</p> <p>.00 ± 0.13</p> <p>.000 ± .005</p> <p>ANGLES ± .1°</p>	
MAX SURFACE ROUGHNESS 125 SURFACES MARKED ONLY			<p>TITLE</p> <p>MINI STACK CONNECTOR BOARDMOUNT HEADER 3S6XX-X2XX-B00 PP</p> <p>CAGE NUMBER D 78-5100-2726-7</p> <p>SIZE</p> <p>DRAWING NO.</p> <p>REV. C</p>

78-5100-2726-7  
DRAWING NUMBER

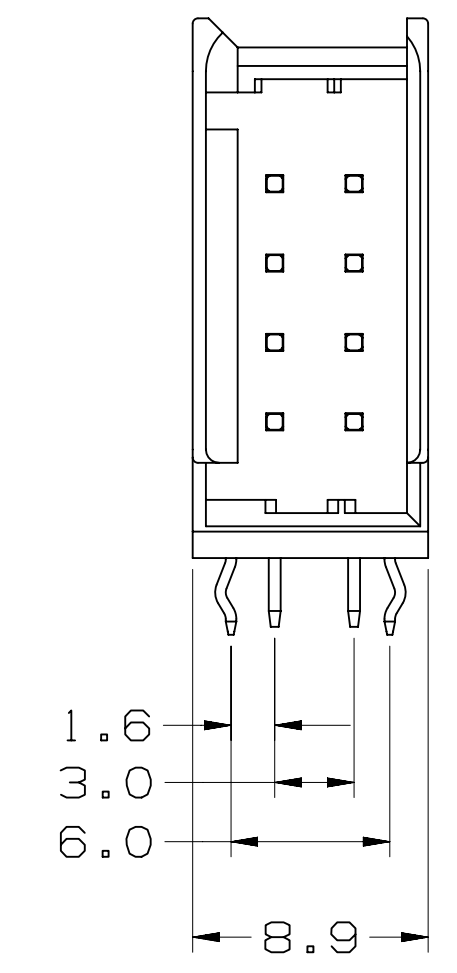
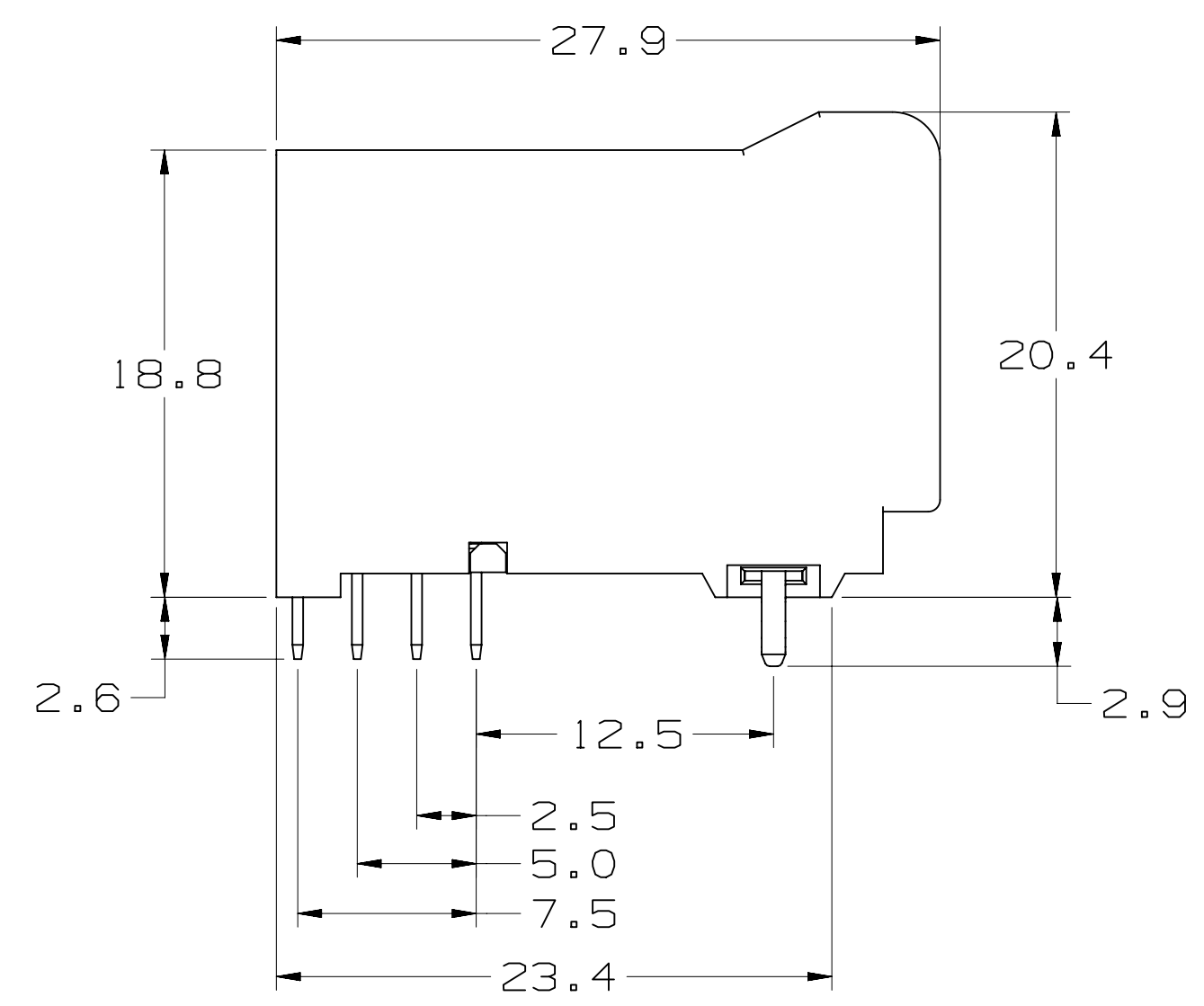
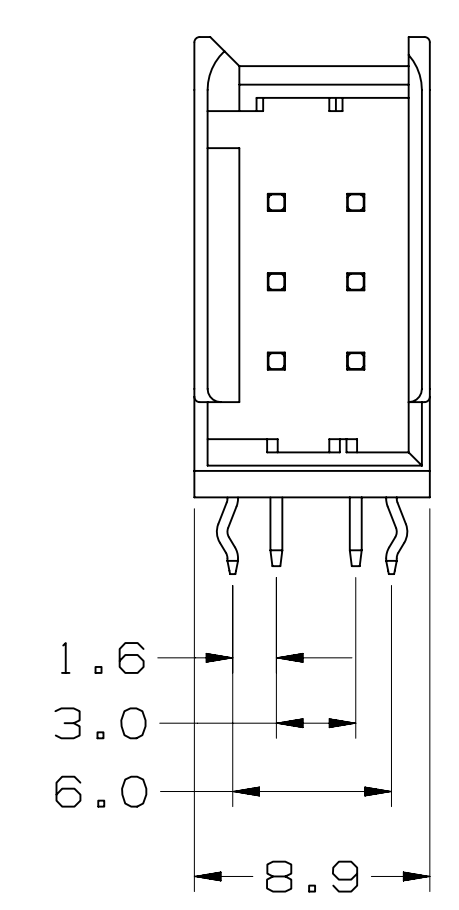
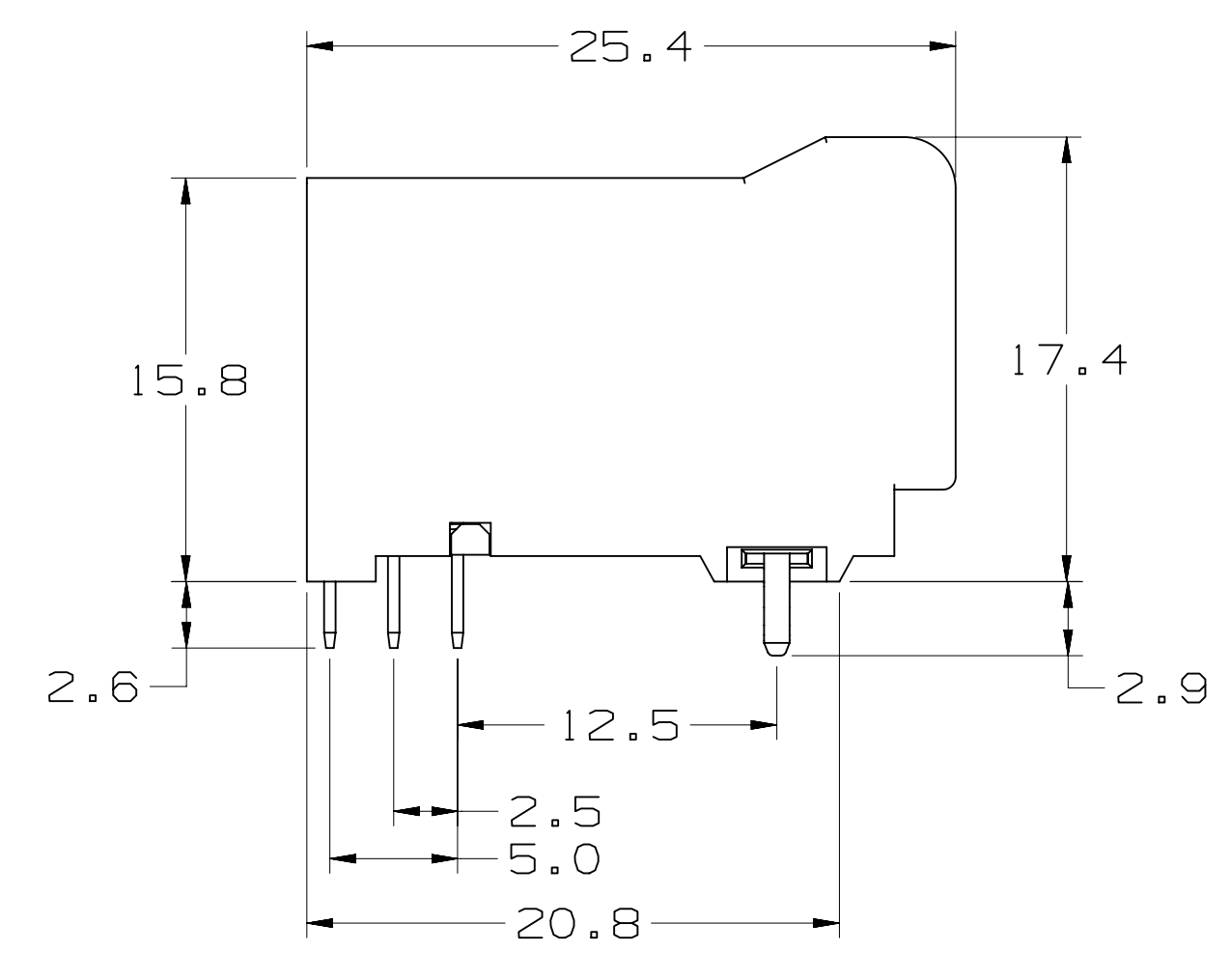
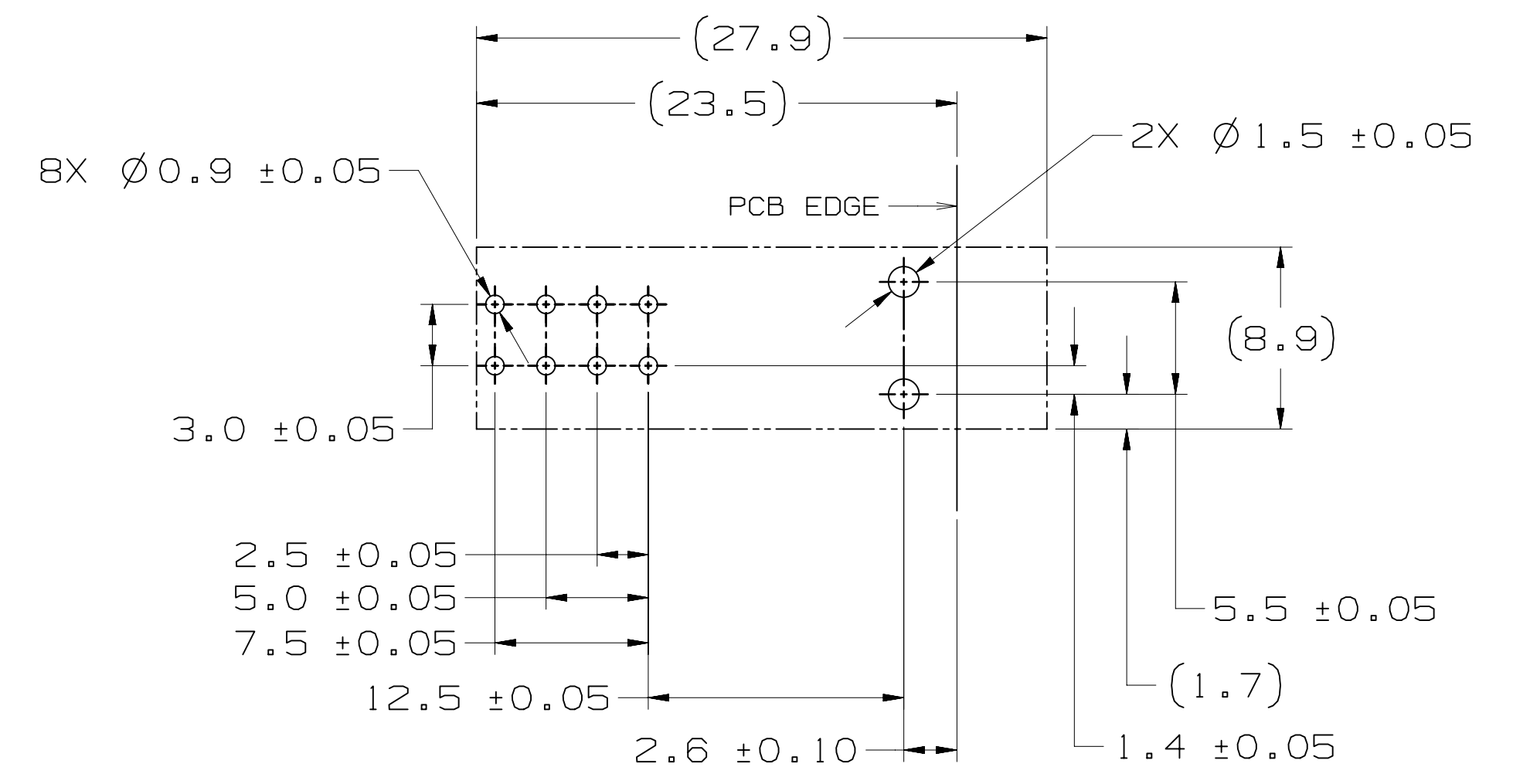
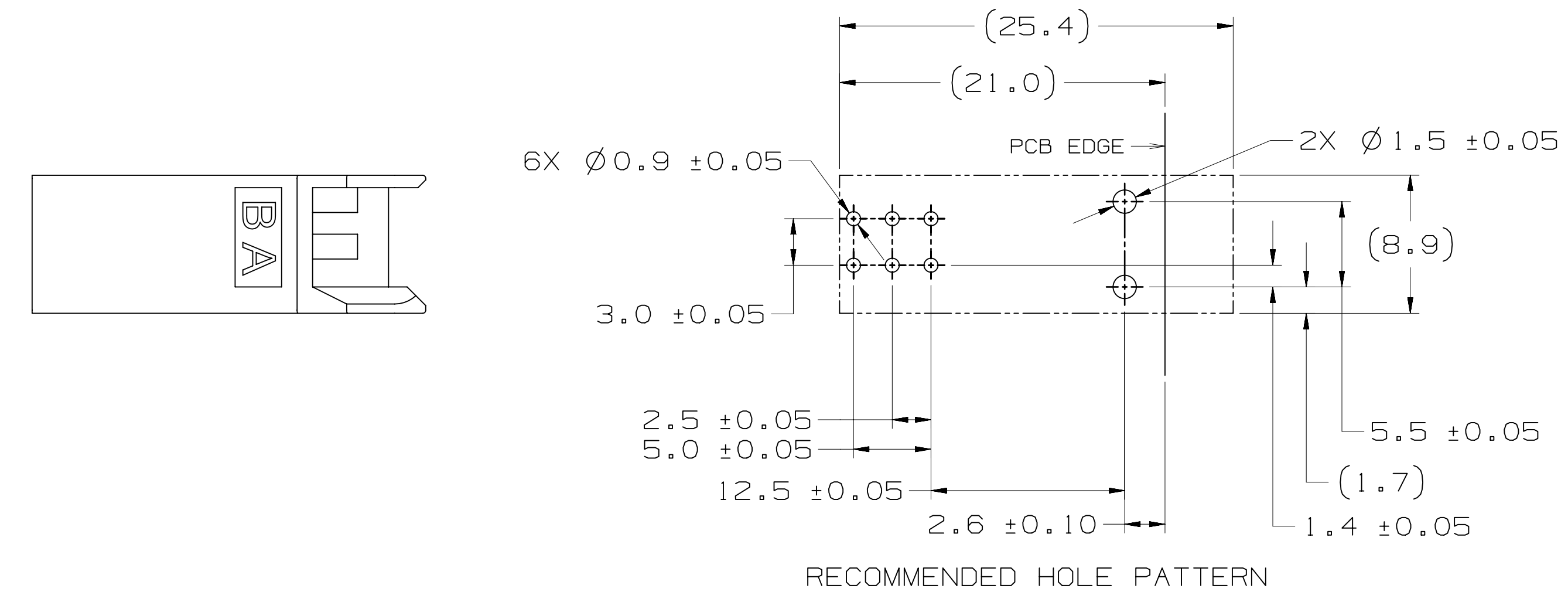
A

SHT 7 OF 9

3M™ MINI STACK CONNECTOR, BOARDMOUNT HEADER RIGHT ANGLE TYPE  
3S6XX-42XX SERIES

6 POSITION HEADER  
3S606-42C3-B00 PP

8 POSITION HEADER  
3S608-42C4-B00 PP



REV	ECO	ISSUE DATE AND DESCRIPTION	DRFT	CHKD
		FEB 02, 2021		
DRP	DATE	MFG	DATE	
L SCHMIDT	FEB 02, 2021			
CHKD	DATE	APPV	DATE	
		F RODRIGUEZ	FEB 05, 2021	

DESIGN REFERENCE	NEXT ASSEMBLY	REV	ECO	ISSUE DATE AND DESCRIPTION	DRFT	CHKD
				FEB 02, 2021		
ACROSS CODES		DRP	DATE	MFG	DATE	
		L SCHMIDT	FEB 02, 2021			
DIVISION	DIVISION CODE	CHKD	DATE	APPV	DATE	
				F RODRIGUEZ	FEB 05, 2021	
DO NOT SCALE DRAWING	SCALE FREE	TOLERANCES EXCEPT AS NOTED				
		NOTED	© 3M COPYRIGHT 2022 This document and the information it contains are 3M property and may not be reproduced or further distributed without 3M permission, or used or disclosed other than for 3M authorized purposes. All rights reserved.			
THIRD ANGLE PROJECTION	INTERPRET PER ASME Y14.5-2018	INCHES	TITLE MINI STACK CONNECTOR BOARDMOUNT HEADER 3S6XX-X2XX-B00 PP			
		0 ± .00	CAGE NUMBER D 78-5100-2726-7			
MAX SURFACE ROUGHNESS 125	125 SURFACES	MILLIMETERS	DRAWING NO. 78-5100-2726-7			
		0 ± .02	MODEL SHT 8 OF 9			
		0 ± .13	DET. <input type="checkbox"/> YES <input checked="" type="checkbox"/> NO SHT 8 OF 9			
		0 ± .005				
		ANGLES ± .1				



UL FILE NO : E68080

78-5100-2726-7  
DRAWING NUMBER

REVISION



3M™ MINI STACK CONNECTOR, BOARDMOUNT HEADER  
3S6XX-X2XX SERIES

**Regulatory:** For regulatory information about this product, visit [3M.com/regs](http://3M.com/regs) or contact your 3M representative.

**Technical Information:** The technical information, recommendations and other statements contained in this document are based upon tests or experience that 3M believes are reliable, but the accuracy or completeness of such information is not guaranteed.

**Product Use:** Many factors beyond 3M's control and uniquely within user's control can affect the use and performance of a 3M product in a particular application. Given the variety of factors that can affect the use and performance of a 3M product, user is solely responsible for evaluating the 3M product and determining whether it is fit for a particular purpose and suitable for user's method of application.

**Warranty, Limited Remedy, and Disclaimer:** Unless an additional warranty is specifically stated on the applicable 3M product packaging or product literature, 3M warrants that each 3M product meets the applicable 3M product specification at the time 3M ships the product. 3M MAKES NO OTHER WARRANTIES OR CONDITIONS, EXPRESS OR IMPLIED, INCLUDING, BUT NOT LIMITED TO, ANY IMPLIED WARRANTY OR CONDITION OF MERCHANTABILITY OR FITNESS FOR A PARTICULAR PURPOSE OR ANY IMPLIED WARRANTY OR CONDITION ARISING OUT OF A COURSE OF DEALING, CUSTOM OR USAGE OR TRADE. If the 3M product does not conform to this warranty, then the sole and exclusive remedy is, at 3M's option, replacement of the 3M product or refund of the purchase price.

**Limitation of Liability:** Except where prohibited by law, 3M will not be liable for any loss or damage arising from the 3M product, whether direct, indirect, special, incidental or consequential, regardless of the legal theory asserted, including warranty, contract, negligence or strict liability.

3M Company  
Electronics Materials Solutions Division  
13011 McCallen Pass, Bldg. C  
Austin, TX 78753-5380  
1-800-225-5373  
[www.3M.com/interconnect](http://www.3M.com/interconnect)



UL FILE NO : E68080

DESIGN REFERENCE	NEXT ASSEMBLY	REV	ECO	ISSUE DATE AND DESCRIPTION	DRFT	CHKD
		DRP		DATE		DATE
		CHKD		DATE		DATE
				APPR		DATE
						DATE
DIVISION		DIVISION CODE				
DO NOT SCALE DRAWING	SCALE FREE	TOLERANCES EXCEPT AS NOTED				
	THIRD ANGLE PROJECTION	INCHES		© 3M COPYRIGHT 2022 This document and the information it contains are 3M property and may not be reproduced or further distributed without 3M permission, or used or disclosed other than for 3M authorized purposes. All rights reserved.		
	INTERPRET PER ASME Y14.5-2018	MILLIMETERS		MINI STACK CONNECTOR BOARDMOUNT HEADER 3S6XX-X2XX-B00 PP		
	MAX SURFACE ROUGHNESS 125 SURFACES	ANGLES		CAGE NUMBER <b>D</b> 78-5100-2726-7 MODEL		
	MARKED ONLY			DRAWING NO. 78-5100-2726-7 DET. <input type="checkbox"/> YES <input checked="" type="checkbox"/> NO SHT 9 OF 9		

DRAWING NUMBER 78-5100-2726-7

REVISION