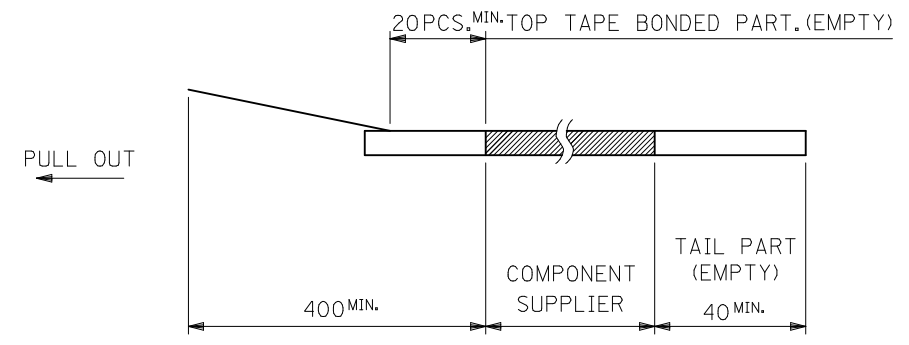


NOTES

1. IN THE PACKAGE,ACTUATOR OF PART NO. 52559-**78 SHOULD BE LOCKED
REDETAILED DIMENSIONS,SEE ASSY DRAWING
2. NUMBER OF CONNECTORS:1000PCS/REEL
3. LEAD TAPE LENGTH



4. MATERIAL CARRIER TAPE:POLYPROPYLENE
TOP TAPE:PET,PE,PEF
REEL:POLYSTYRENE (PS)
<RECYCLE MATERIAL CONTAINED>

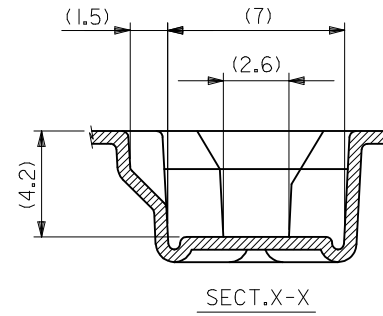
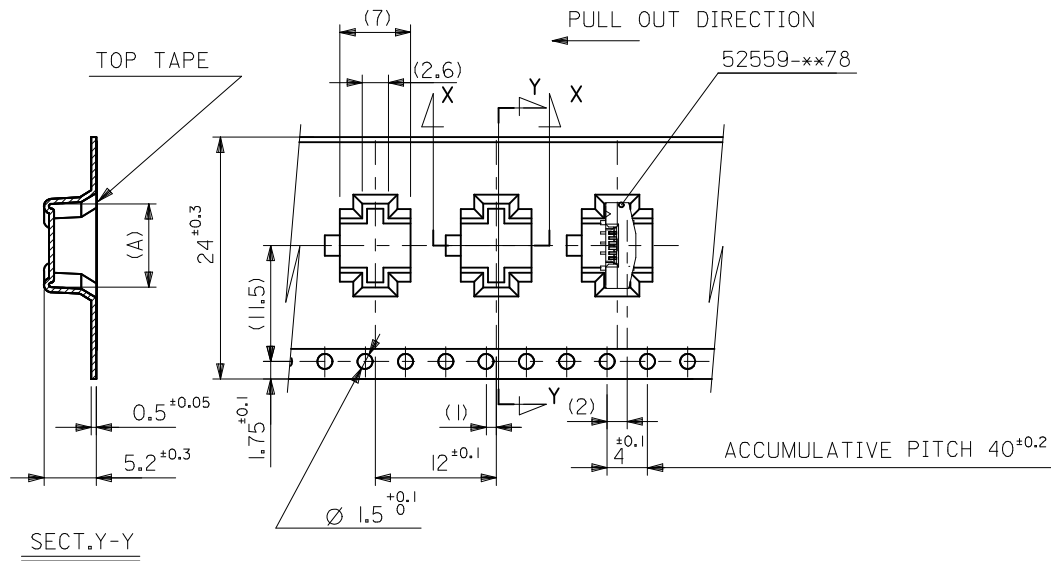
GENERAL TOLERANCES (UNLESS SPECIFIED)	
UNDER 10	±0.2
OVER 10 UNDER 30	±0.25
OVER 30	±0.3
ANGULAR	±3°

NEW RELEASE EC NO: KOR2009-0027 DRWN:HJEONG 2008/09/18 CHKD:YSOOKIM 2008/09/18 APPR:YUNSIKKIM 2008/09/18	QUALITY SYMBOLS
	=0 =0
	DESCRIPTION
	REV

GENERAL TOLERANCES (UNLESS SPECIFIED)	
4 PLACES	± --- ± ---
3 PLACES	± --- ± ---
2 PLACES	± --- ± ---
1 PLACE	± --- ± ---
ANGULAR ± ---°	
DRAFT WHERE APPLICABLE MUST REMAIN WITHIN DIMENSIONS	

DIMENSION STYLE	
MM ONLY	
DRAWN BY	DATE
Y. AOYAGI	2008/09/01
CHECKED BY	DATE
T. HARUYAMA	2008/09/01
APPROVED BY	DATE
N. UKITA	2008/09/01
MATERIAL NO.	
SEE TABLE	
SIZE	A3

52559-**55	MODEL NO.
DESIGN UNITS	THIRD ANGLE PROJECTION
METRIC	
TITLE EMBOSSED TAPE PACKAGE FOR 52559-**78	
MOLEX INCORPORATED	
DOCUMENT NO.	SHEET NO.
SD-52559-055	1 OF 4
THIS DRAWING CONTAINS INFORMATION THAT IS PROPRIETARY TO MOLEX INCORPORATED AND SHOULD NOT BE USED WITHOUT WRITTEN PERMISSION	



24	C	B	17.3	52559-2455	24
			16.3	52559-2255	22
			15.3	52559-2055	20
			14.8	52559-1955	19
			14.3	52559-1855	18
			13.3	52559-1655	16
			12.8	52559-1555	15
			12.3	52559-1455	14
			11.3	52559-1255	12
10.8	52559-1155	11			
CARRIER TAPE WIDTH			(A)	MATERIAL NO.	CIRCUIT NO.

GENERAL TOLERANCES (UNLESS SPECIFIED)	
UNDER 10	±0.2
OVER 10 UNDER 30	±0.25
OVER 30	±0.3
ANGULAR	±3°

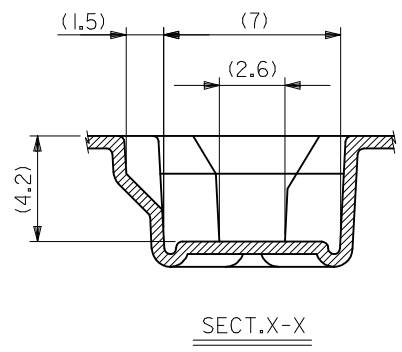
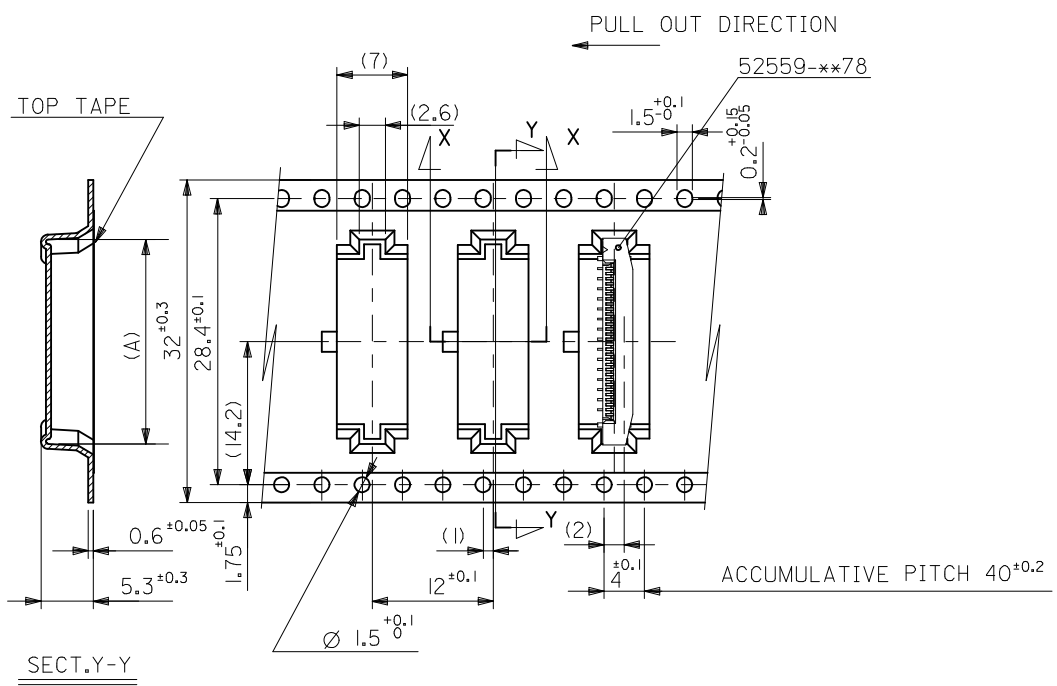
NEW RELEASE	EC NO: KOR2009-0027	2008/09/18
DRWN:HJEONG	CHKD:YSOOKIM	2008/09/18
APPR:YUNSIKKIM	REV	DESCRIPTION
A		

QUALITY SYMBOLS
▽=0
∇=0

GENERAL TOLERANCES (UNLESS SPECIFIED)	
mm	INCH
4 PLACES	± --- ± ---
3 PLACES	± --- ± ---
2 PLACES	± --- ± ---
1 PLACE	± --- ± ---
ANGULAR ± ---°	
DRAFT WHERE APPLICABLE MUST REMAIN WITHIN DIMENSIONS	

DIMENSION STYLE	
MM ONLY	
DRAWN BY	DATE
Y. AOYAGI	2008/09/01
CHECKED BY	DATE
T. HARUYAMA	2008/09/01
APPROVED BY	DATE
N. UKITA	2008/09/01
MATERIAL NO.	
SEE TABLE	
SIZE	A3

52559-**-55	MODEL NO.
DESIGN UNITS	METRIC
THIRD ANGLE PROJECTION	
TITLE	
EMBOSSD TAPE PACKAGE FOR 52559-**-78	
MOLEX INCORPORATED	
DOCUMENT NO.	SD-52559-055
SHEET NO.	2 OF 4
THIS DRAWING CONTAINS INFORMATION THAT IS PROPRIETARY TO MOLEX INCORPORATED AND SHOULD NOT BE USED WITHOUT WRITTEN PERMISSION	



32mm WIDTH CARRIER TAPE

32	37.4	33.4	21.8	52559-3355	33		
			21.3	52559-3255	32		
			20.3	52559-3055	30		
			19.3	52559-2855	28		
			17.8	52559-2555	25		
CARRIER TAPE WIDTH			C	B	(A)	MATERIAL NO.	CIRCUIT NO.

GENERAL TOLERANCES (UNLESS SPECIFIED)	
UNDER 10	±0.2
OVER 10 UNDER 30	±0.25
OVER 30	±0.3
ANGULAR	±3°

NEW RELEASE
 EC NO: KOR2009-0027
 DRWN:HJEONG 2008/09/18
 CHKD:YSOOKIM 2008/09/18
 APPR:YUNSIKKIM 2008/09/18

QUALITY SYMBOLS

GENERAL TOLERANCES (UNLESS SPECIFIED)	
	mm INCH
4 PLACES	± --- ± ---
3 PLACES	± --- ± ---
2 PLACES	± --- ± ---
1 PLACE	± --- ± ---
ANGULAR ± ---°	
DRAFT WHERE APPLICABLE MUST REMAIN WITHIN DIMENSIONS	

DIMENSION STYLE
MM ONLY

SCALE

DESIGN UNITS
METRIC

THIRD ANGLE PROJECTION

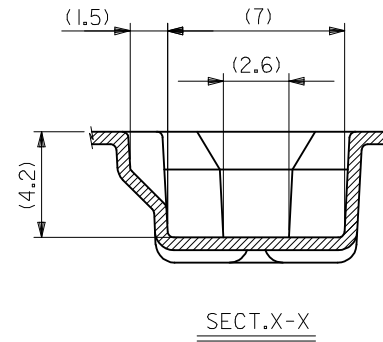
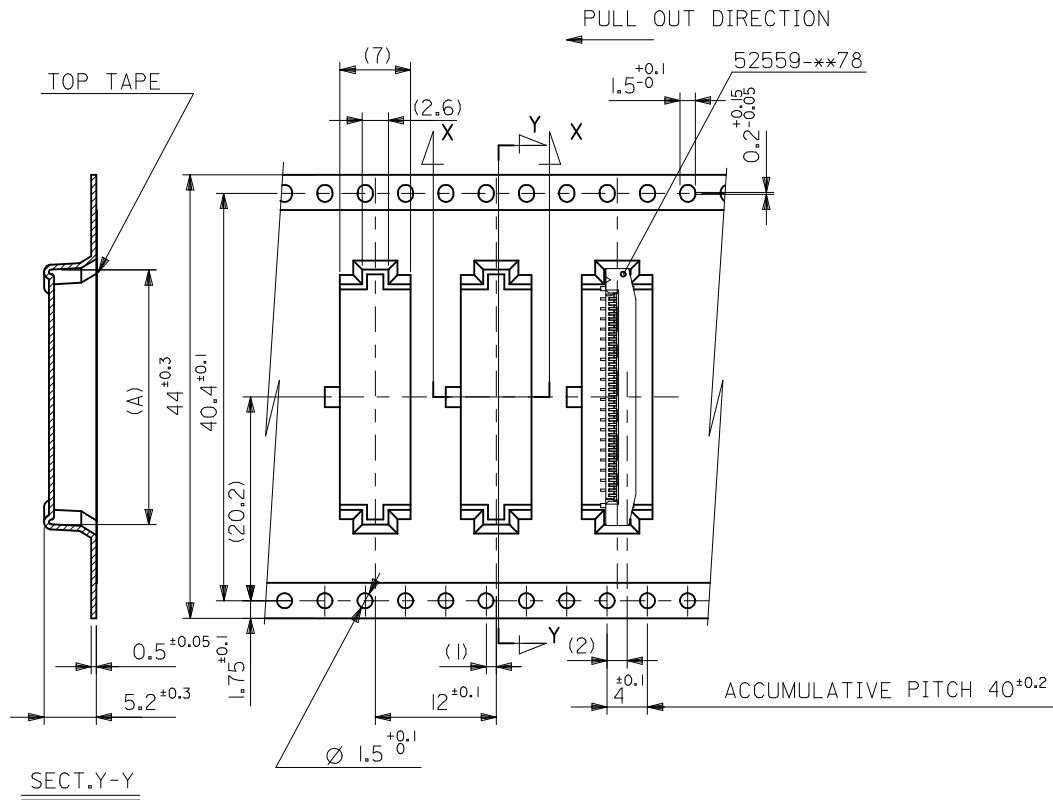
52559-**-55 MODEL NO.

EMBOSSD TAPE PACKAGE FOR 52559-**-78

MATERIAL NO. SD-52559-055

SHEET NO. 3 OF 4

THIS DRAWING CONTAINS INFORMATION THAT IS PROPRIETARY TO MOLEX INCORPORATED AND SHOULD NOT BE USED WITHOUT WRITTEN PERMISSION



44mm WIDTH CARRIER TAPE

44	49.4	45.4	25.3	52559-4055	40
CARRIER TAPE WIDTH			(A)	MATERIAL NO.	CIRCUIT NO.

GENERAL TOLERANCES (UNLESS SPECIFIED)	
UNDER 10	±0.2
OVER 10 UNDER 30	±0.25
OVER 30	±0.3
ANGULAR	±3°

NEW RELEASE
 EC NO: KOR2009-0027
 DRWN:HJEONG 2008/09/18
 CHKD:YSOOKIM 2008/09/18
 APPR:YUNSIKKIM 2008/09/18

QUALITY SYMBOLS

GENERAL TOLERANCES (UNLESS SPECIFIED)		
	mm	INCH
4 PLACES	±---	±---
3 PLACES	±---	±---
2 PLACES	±---	±---
1 PLACE	±---	±---
ANGULAR ±---°		

DRAFT WHERE APPLICABLE MUST REMAIN WITHIN DIMENSIONS

DIMENSION STYLE	
MM ONLY	
DRAWN BY	DATE
Y. AOYAGI	2008/09/01
CHECKED BY	DATE
T. HARUYAMA	2008/09/01
APPROVED BY	DATE
N. UKITA	2008/09/01
MATERIAL NO.	
SEE TABLE	

SCALE		DESIGN UNITS		MODEL NO.	
---		METRIC		52559-**55	
THIRD ANGLE PROJECTION				TITLE	
				EMBOSSD TAPE PACKAGE FOR 52559-**78	
MOLEX INCORPORATED				DOCUMENT NO.	
				SD-52559-055	
				SHEET NO.	
				4 OF 4	