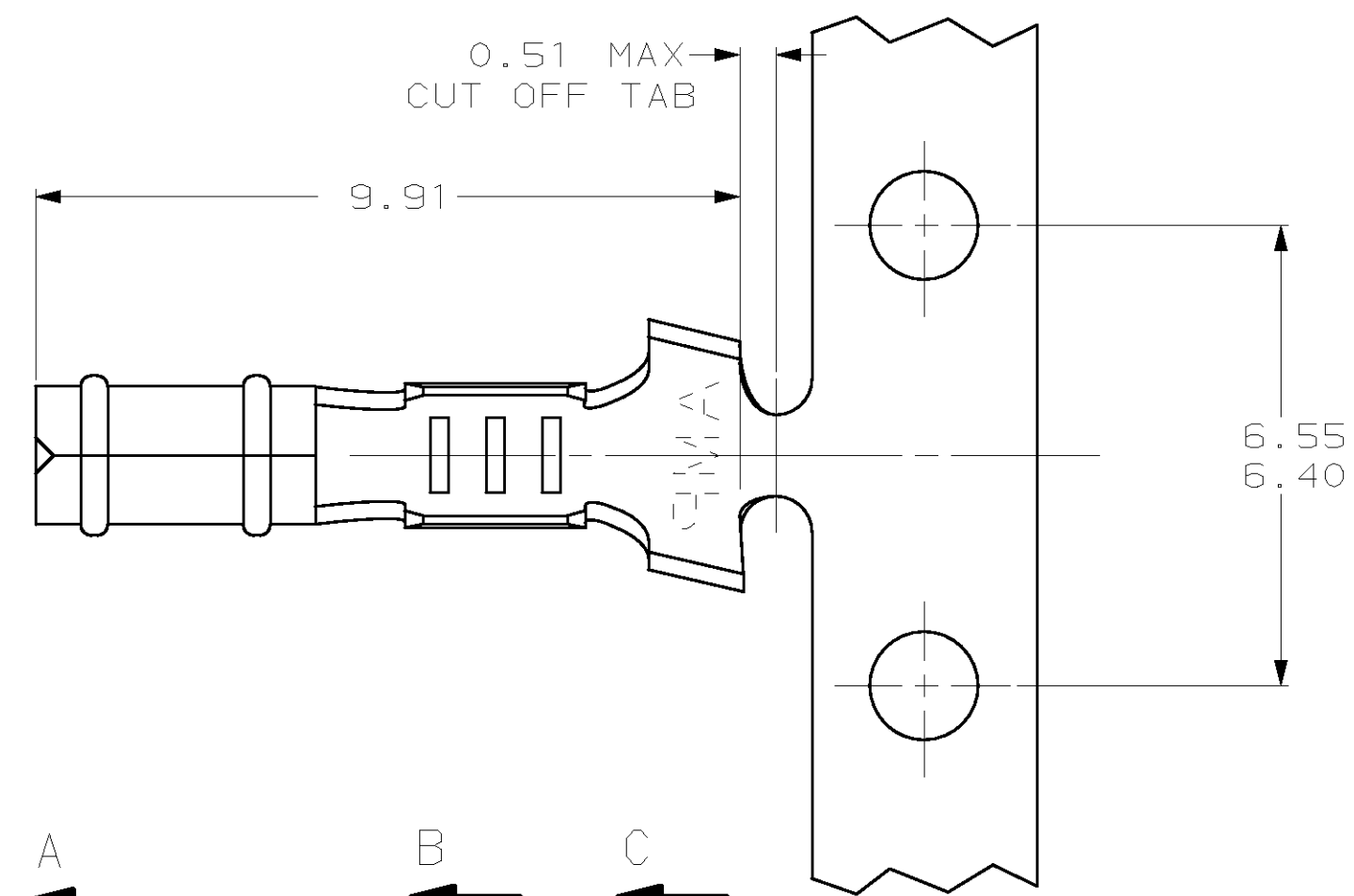


THIS DRAWING IS UNPUBLISHED. RELEASED FOR PUBLICATION
 (C) COPYRIGHT 19 BY AMP INCORPORATED. ALL RIGHTS RESERVED.

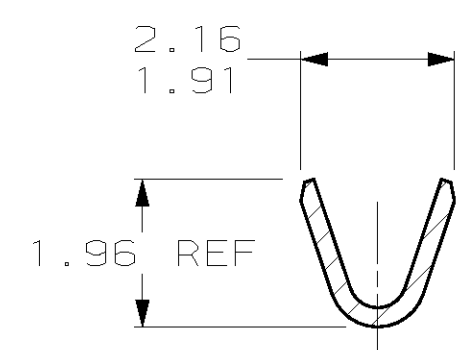
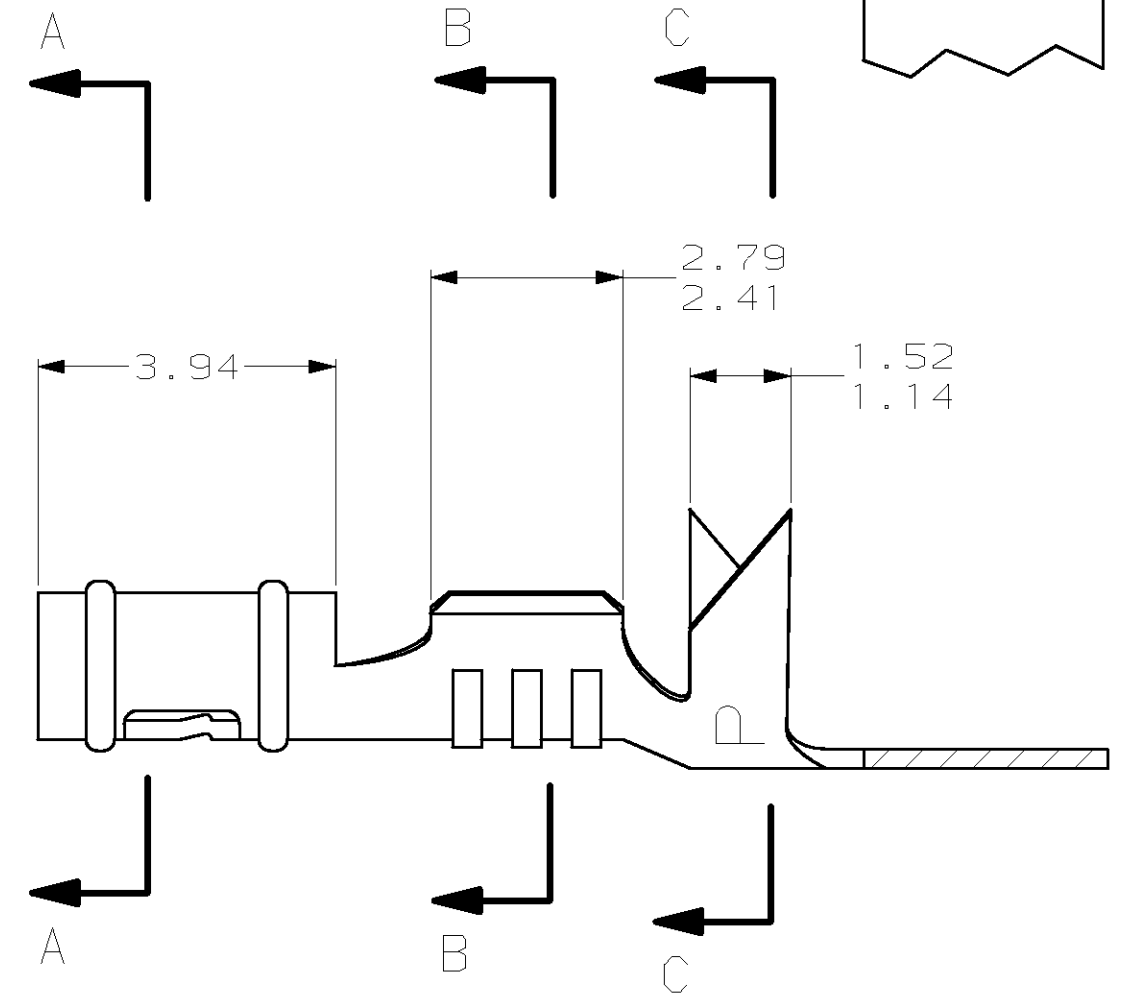
LOC	DIST	REVISIONS			
P	LTR	DESCRIPTION	DATE	DWN	APVD
CM	52	D	REV & REDWN PER EC 0L30-0125-97	6-5-97	TB RS



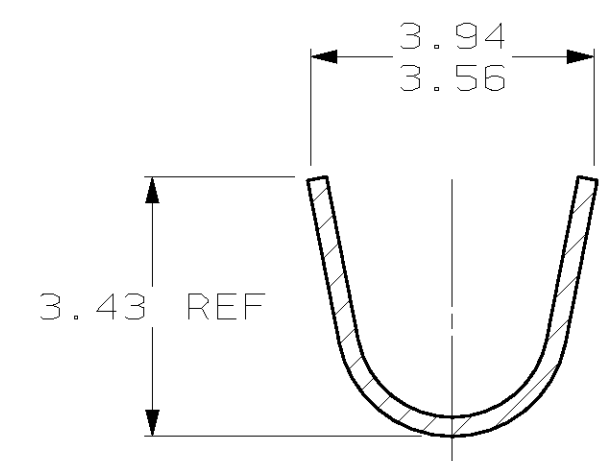
- 1. 0.00203 MIN MATTE TIN PLATING OVER ALL.
- 2. WIRE RANGE: 0.12 - 0.6 MM² (26 - 20 AWG)
- 3. INSULATION RANGE: 1.02 - 2.79



SECTION A-A



SECTION B-B



SECTION C-C

350196-1
 PART NUMBER

1.14	.045	1.96	.077	3.94	.155	-	-
1.02	.040	1.91	.075	3.56	.140	-	-
0.51	.020	1.52	.060	3.43	.135	-	-
0.25	.010	1.486	.0585	2.79	.110	9.91	.390
0.13	.005	1.47	.058	2.41	.095	6.55	.258
0.00203	.000080	1.359	.0535	2.16	.085	6.40	.252
MM	IN	MM	IN	MM	IN	MM	IN

CONVERSION TABLE

METRIC

THIS DRAWING IS A CONTROLLED DOCUMENT.		DWN T. BECK 6-05-97	AMP Incorporated Harrisburg, PA 17105-3608	
DIMENSIONS: mm		CHK R. SWING 6-05-97	NAME RECEPTACLE, .058 DIAMETER, 26-20 AWG, .040-.110 INSULATION, P.C. CONTACT	
TOLERANCES UNLESS OTHERWISE SPECIFIED: 0 PLC ± 1 PLC ± 2 PLC ±0.13 3 PLC ± 4 PLC ± ANGLES ±		APVD A. BEDDICK 6-17-97	PRODUCT SPEC 108-1025 APPLICATION SPEC 114-1008	
MATERIAL 0.25 BE CU		FINISH △	WEIGHT -	RESTRICTED TO A2 00779 C-350196
CUSTOMER DRAWING		SCALE 10:1	SHEET 1 OF 1	REV D