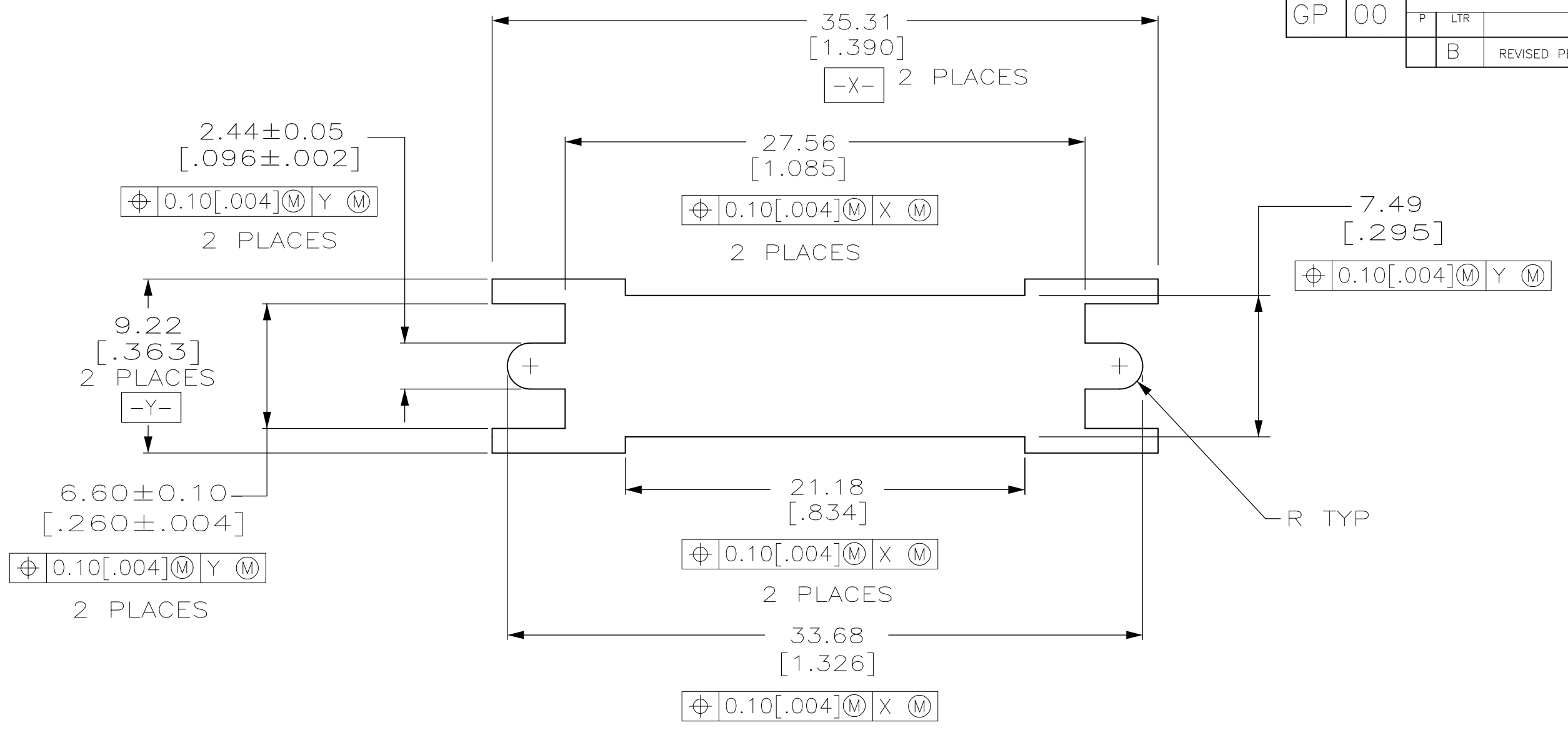
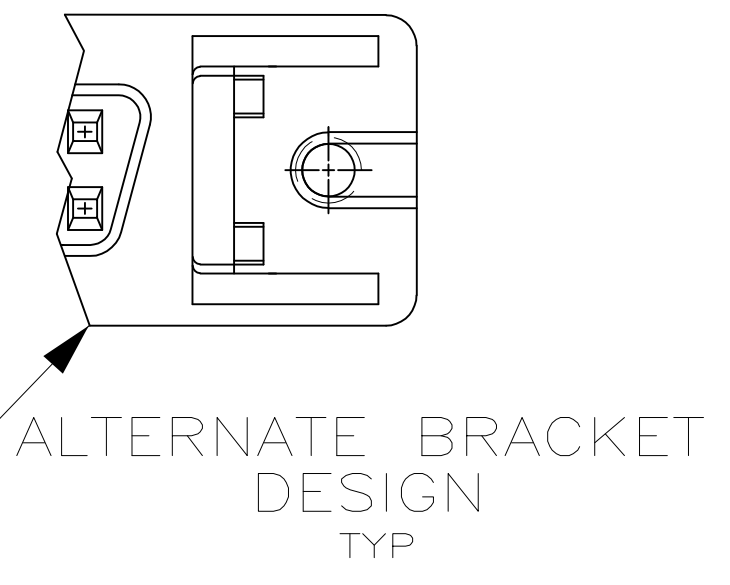
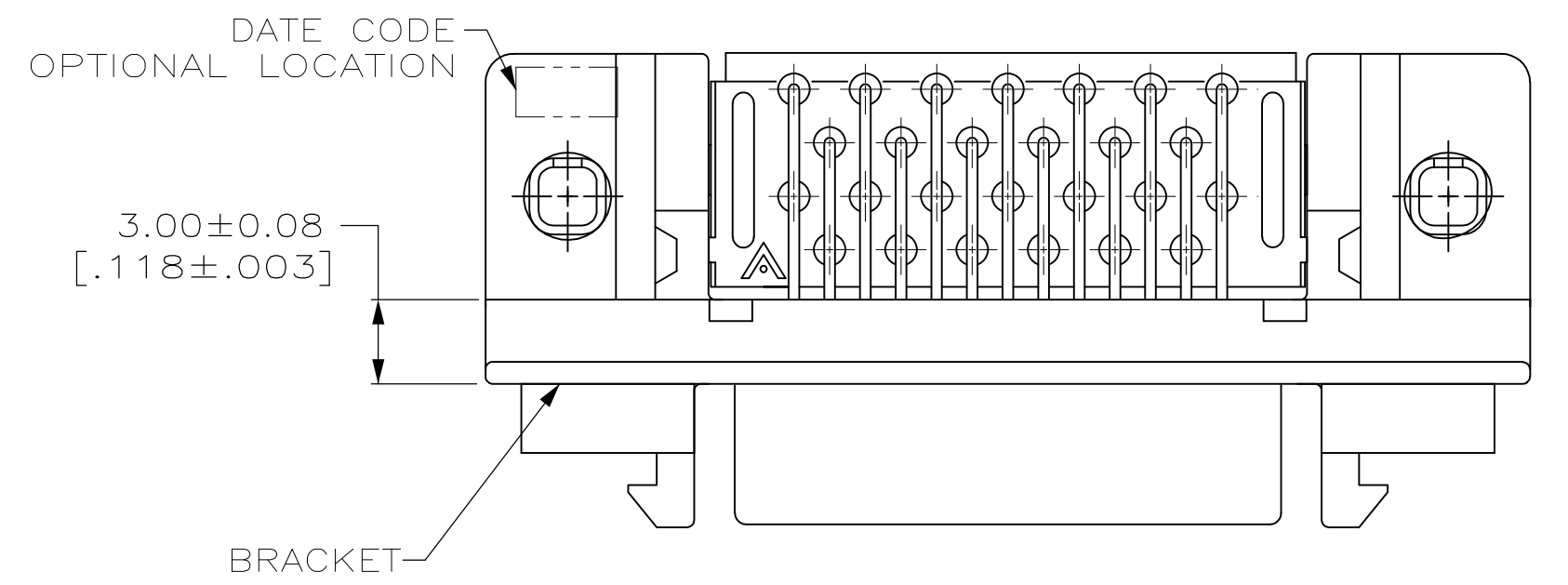


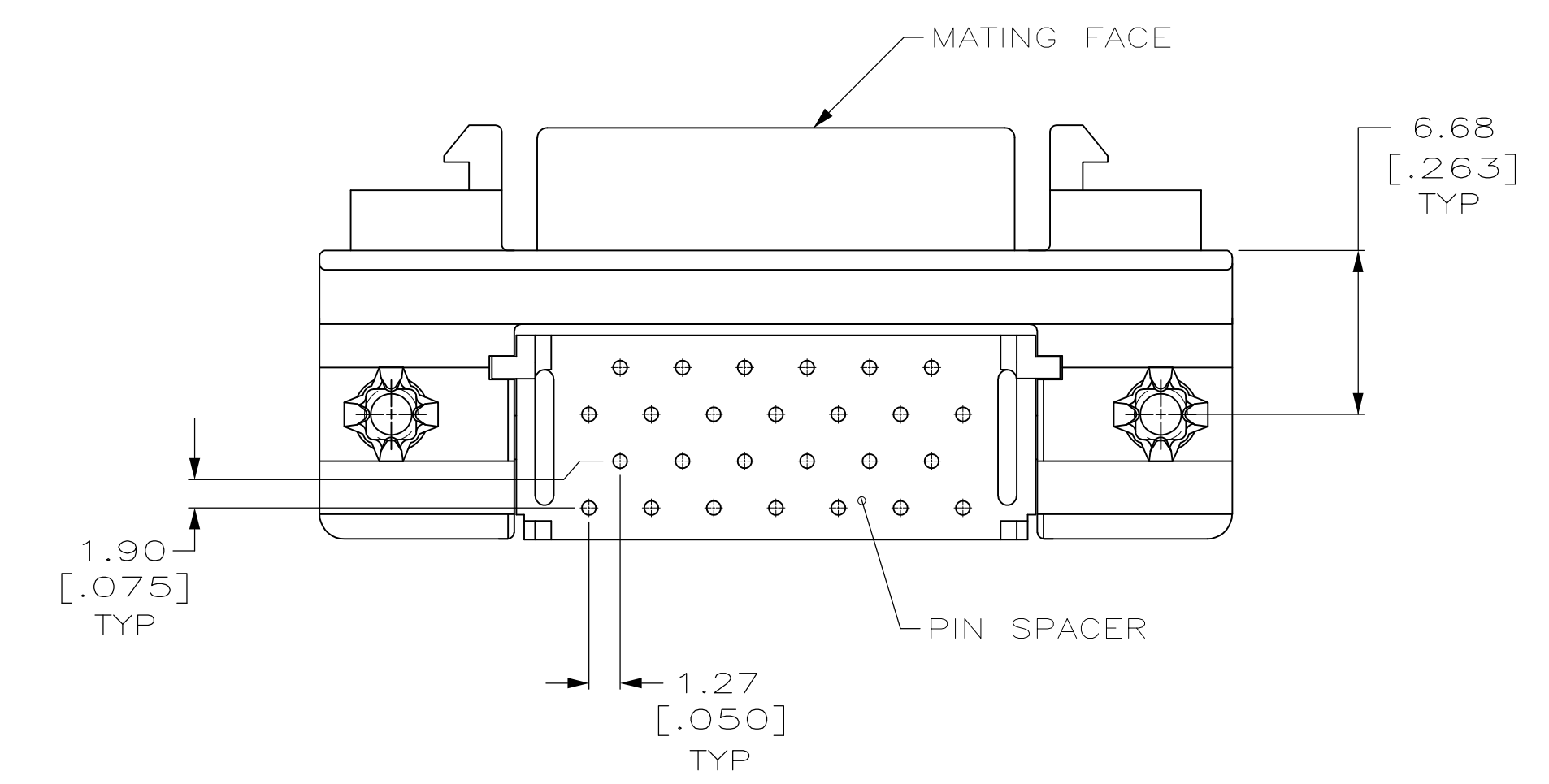
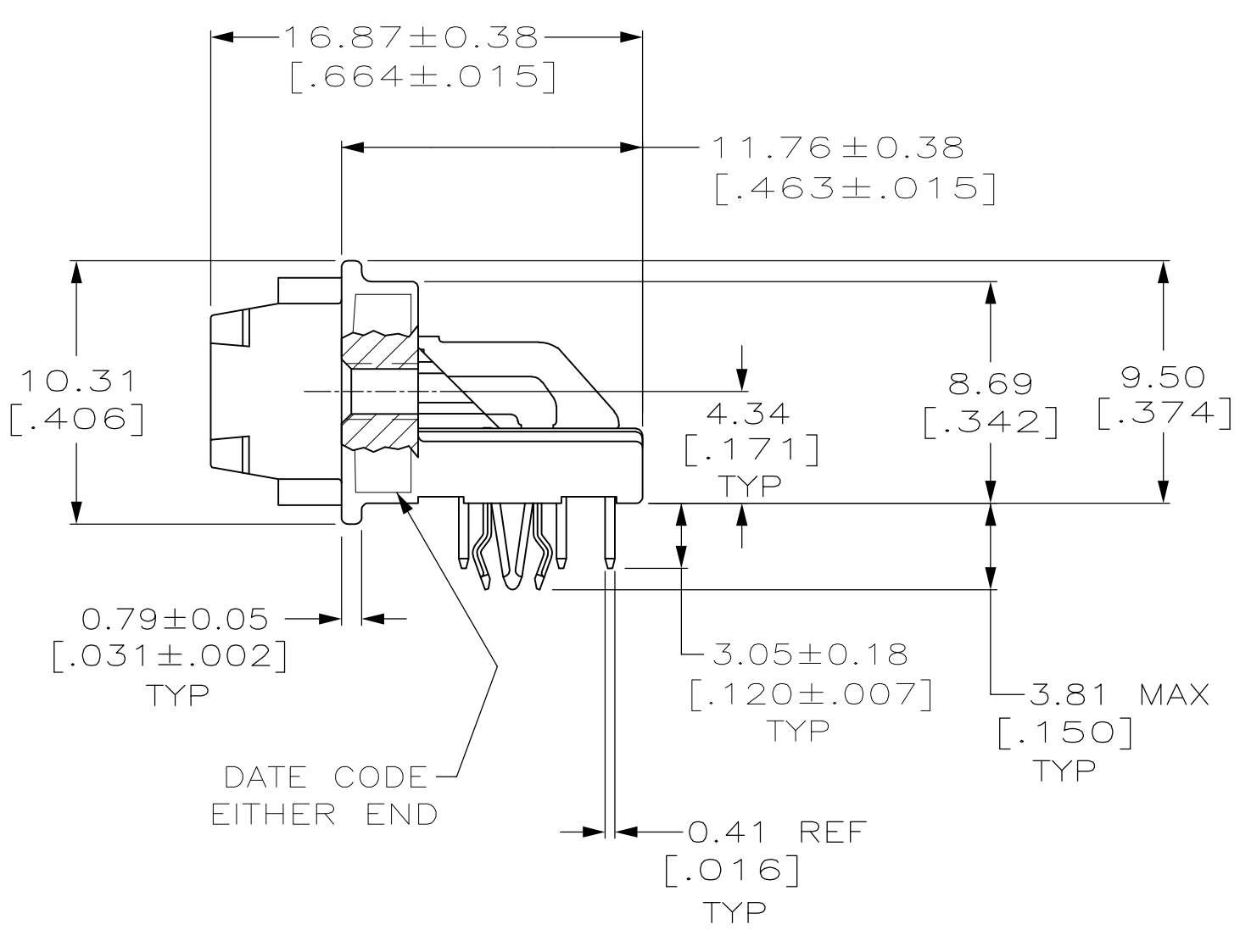
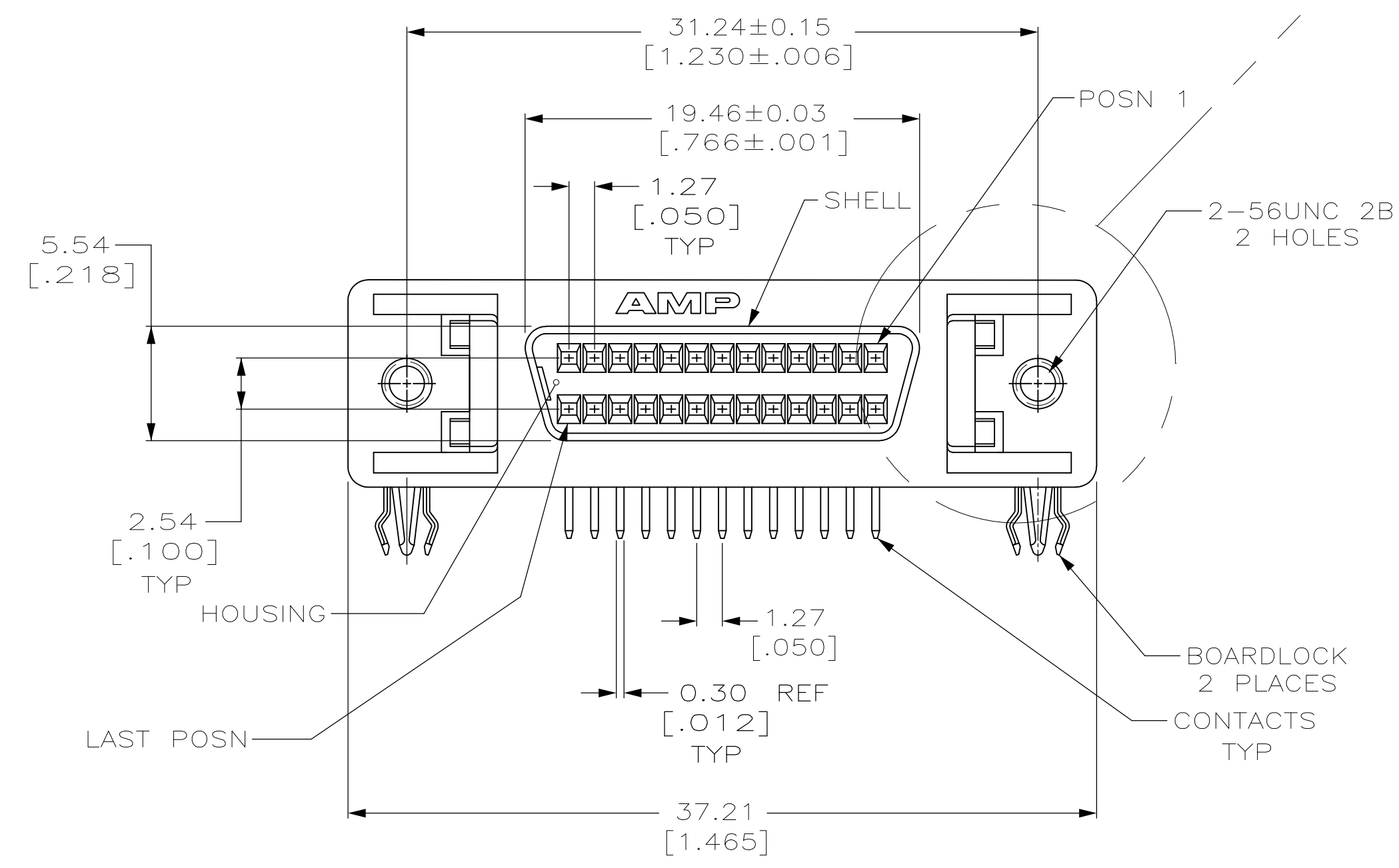
P.C. BOARD MOUNTING DIMENSIONS
CONNECTOR SIDE
P. C. BOARD THICKNESS 1.57±0.20 [.062±.008]



RECOMMENDED PANEL CUTOUT



- 1 MATERIAL
HOUSING & PIN SPACER: UL 94V-0 RATED, THERMOPLASTIC, BLACK
CONTACTS: PHOSPHOR BRONZE
BRACKET: ZINC
SHELL: CARBON STEEL
BOARDLOCKS: COPPER ALLOY
- 2 FINISH
CONTACTS: EITHER 0.76um [.000030] MIN GOLD PLATE FOR A LENGTH OF 0.64 [.025] MAX, 0.13 [.005] MIN FROM MATING END OR GOLD FLASH OVER PALLADIUM NICKEL PLATE, 0.76um [.000030] MIN TOTAL FOR A LENGTH OF 0.64 [.025] MAX, 0.13 [.005] MIN FROM MATING END. 3.81um [.000150] MIN TIN ON OPPOSITE END FOR A LENGTH OF 2.72 [.107] MIN, BOTH OVER 1.27um [.000050] MIN NICKEL.
SHELL: 5.08um [.000200] MIN NICKEL OVER 1.27um [.000050] MIN COPPER.
BRACKET: 2.54um [.000100] MIN NICKEL OVER 5.08um [.000200] COPPER.
BOARDLOCK: 5.08um [.000200] MIN TIN OVER 1.27um [.000050] MIN NICKEL.



**COPYRIGHT 2005
TYCO ELECTRONICS CORP
ALL RIGHTS RESERVED**

26	6364491-1
NO. OF POSITIONS	PART NUMBER

THIS DRAWING IS A CONTROLLED DOCUMENT.		DWN L VARELA - 02-14-05	Tyco Electronics Corporation	
DIMENSIONS: mm [INCHES]		CHK S SHUEY 02-14-05	Harrisburg, PA 17105-3608	
TOLERANCES UNLESS OTHERWISE SPECIFIED:		APRD M WALSLEY 02-14-05	NAME	
0 PLC ± -	1 PLC ± -	PRODUCT SPEC		
2 PLC ± 0.13 [.005]	3 PLC ± -	108-1228		
4 PLC ± -	ANGLES ± -	APPLICATION SPEC		
MATERIAL		SIZE	CAGE CODE	DRAWING NO
FINISH		A1	00779	6364491
1		CUSTOMER DRAWING		RESTRICTED TO
2		SCALE	SHEET	REV
		4:1	1 OF 1	B