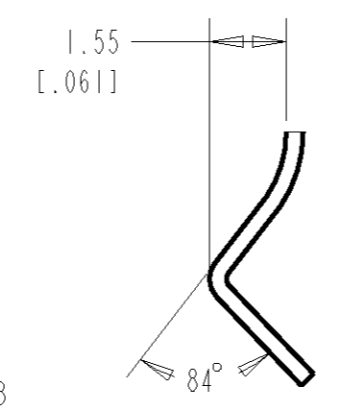
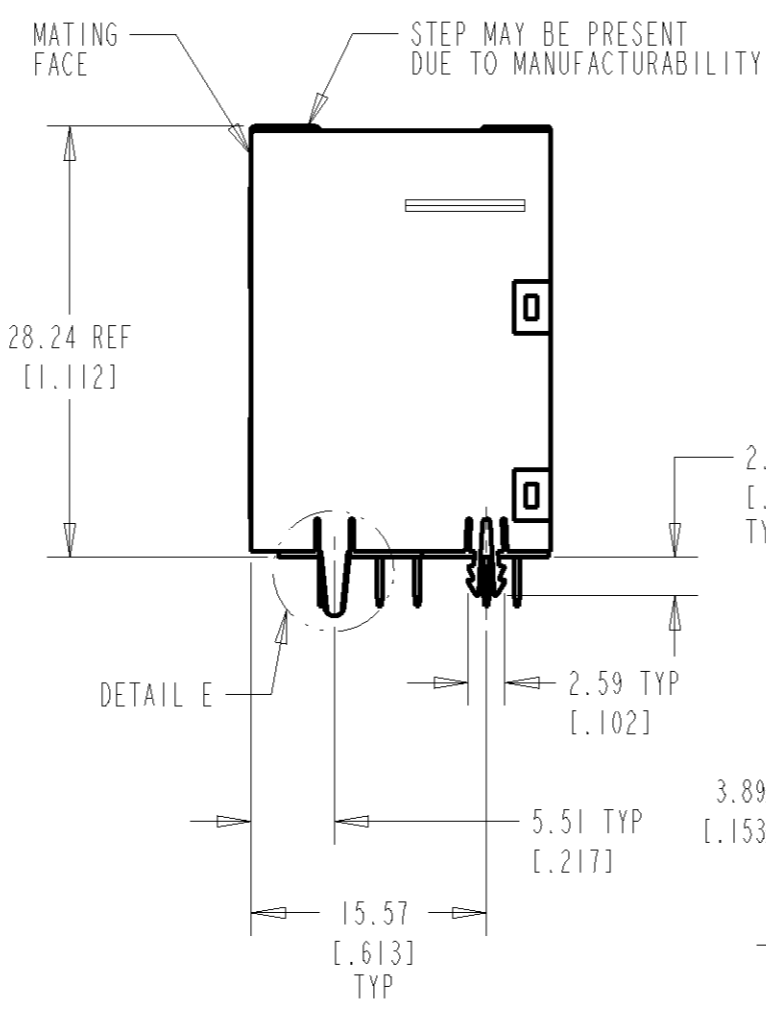
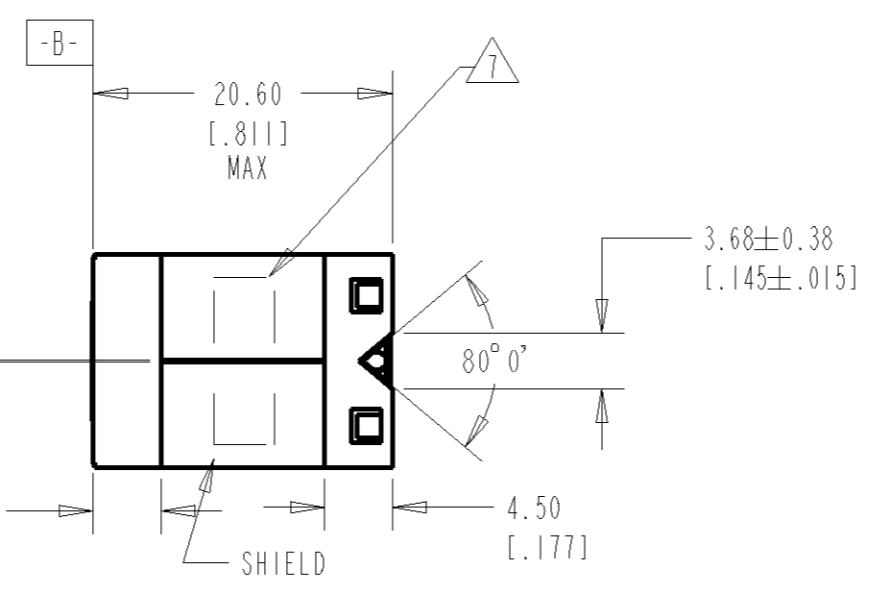
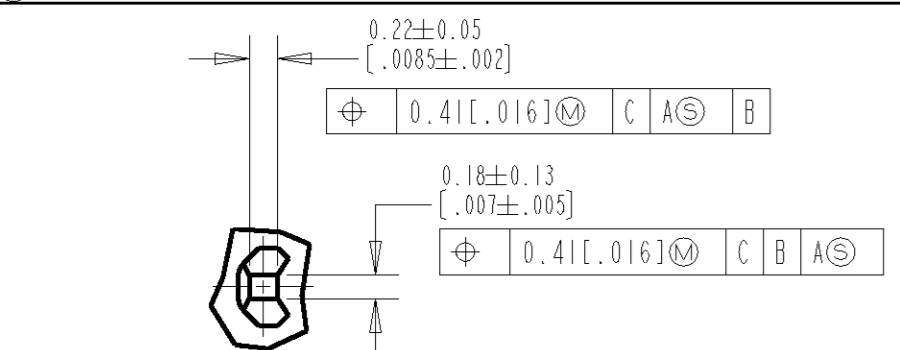


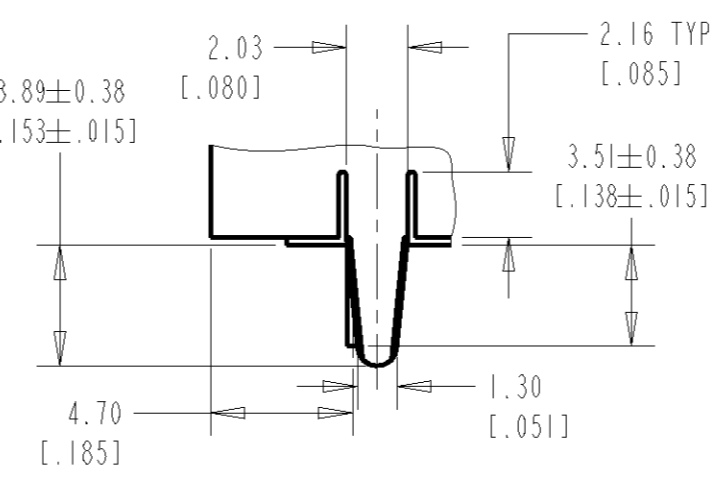
LOC		DIST		REVISIONS			
P	LTR	DESCRIPTION	DATE	DWN	APVD		
0	NPR	FP00-0234-04	30SEP04	LWY	LSF		

- NOTES:
- 1 CONTACT: COPPER ALLOY
 - 2 HOUSING: POLYMER, UL 94V-0 RATED, BLACK
 - 3 CONTACT PLATING: 0.76µm [0.00030] MIN GOLD FOR A LENGTH OF 1.52 [0.060] ON INSIDE FROM MATING END, 3.05µm [0.00120] MIN MATTE-TIN FOR A LENGTH OF 3.56 [0.140] FROM OPPOSITE END, BOTH OVER 1.27µm [0.00050] MIN NICKEL
 - 4 SHIELD PLATING: 2.54µm [0.00100] MIN TIN
 - 5 PRODUCT SPEC.: 108-51010 APPLICATION SPEC.: 114-51004
 - 6 SOCKET DIN AREA MUST BE ABLE TO WITHSTAND PUSH FORCE OF 15kg MIN. WITHOUT BREAKING
 - 7 DATE CODE TO BE PRINTED AT APPROX. THIS LOCATION

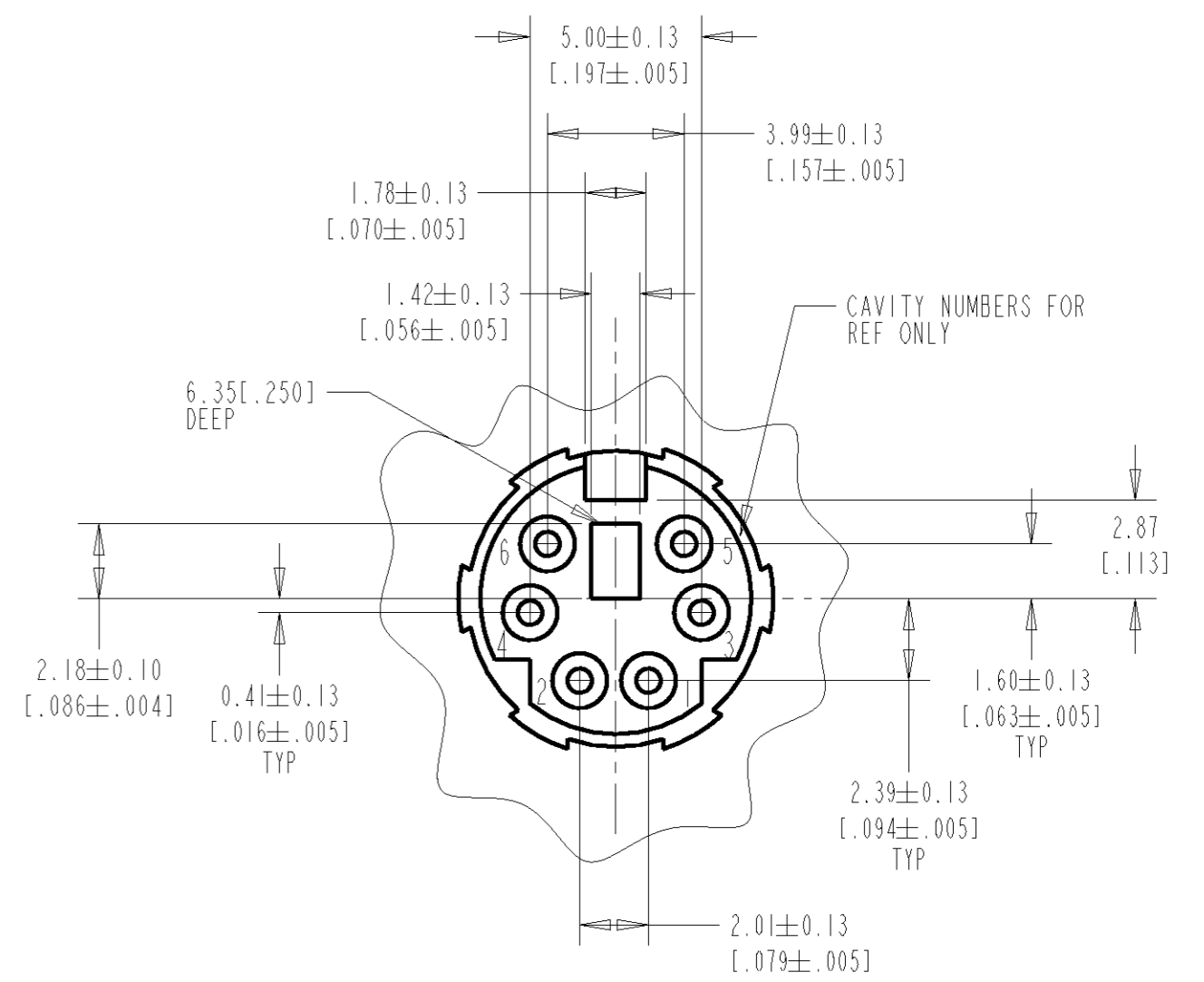
DETAIL G
SCALE 10:1



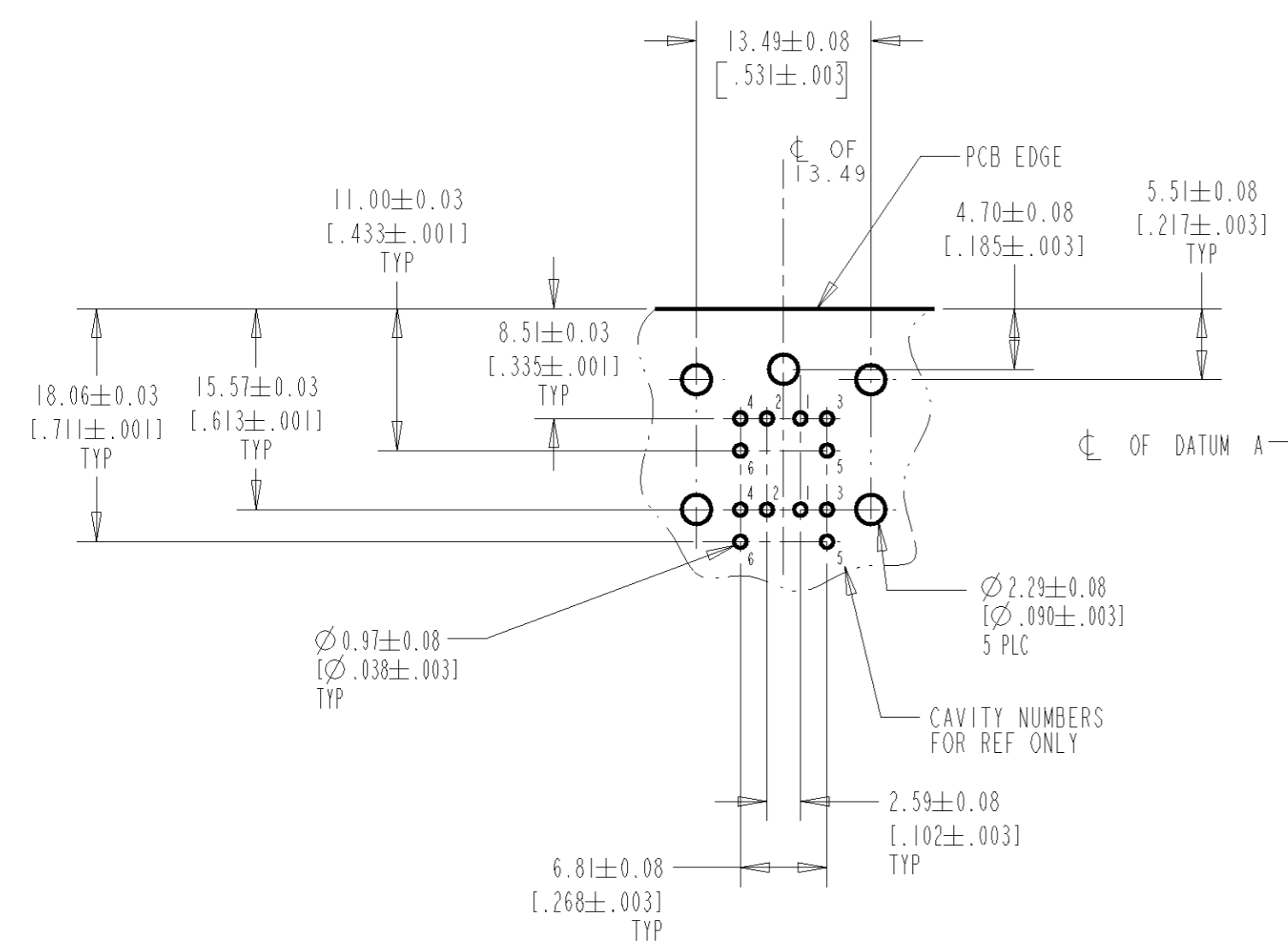
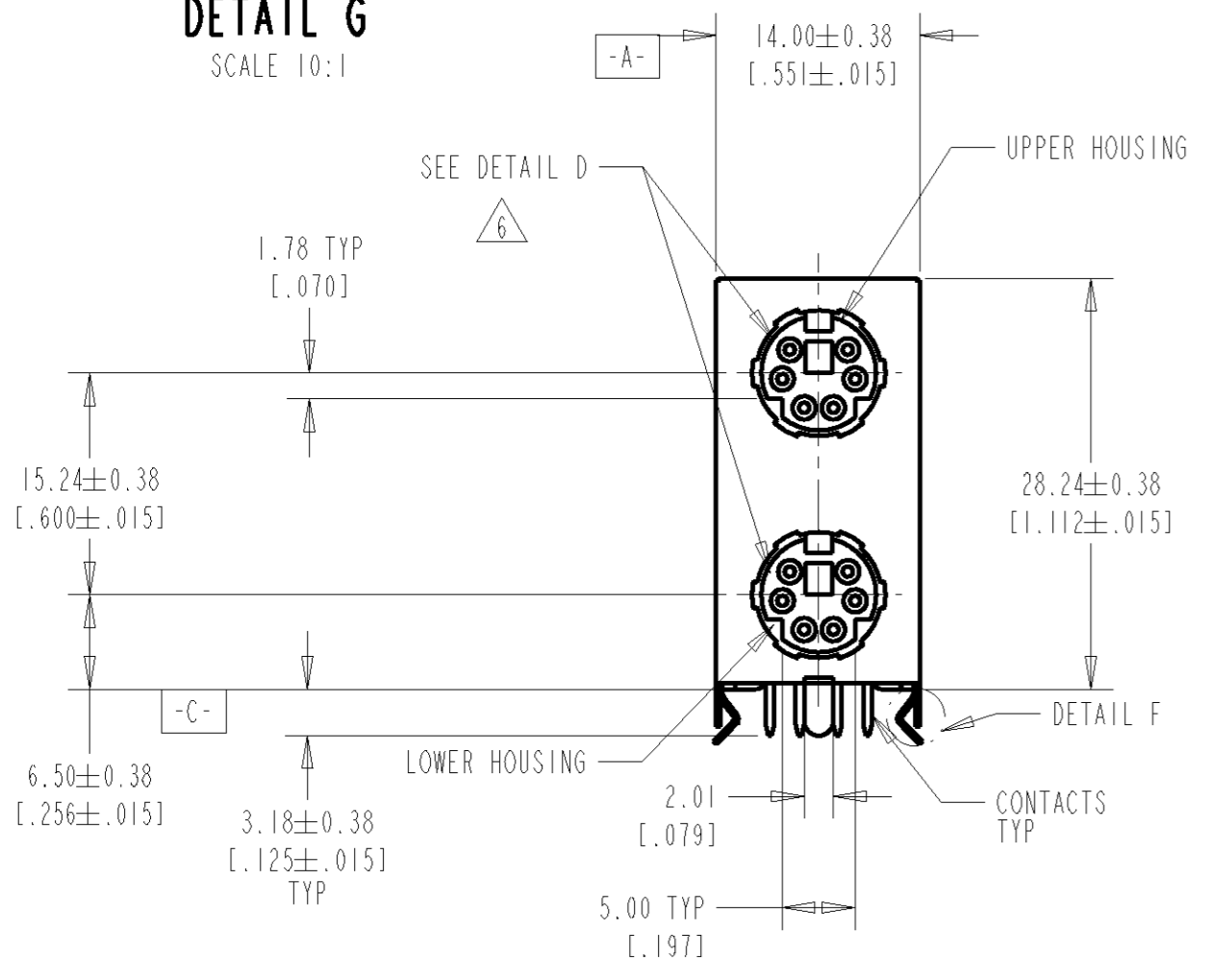
DETAIL F
SCALE 8:1



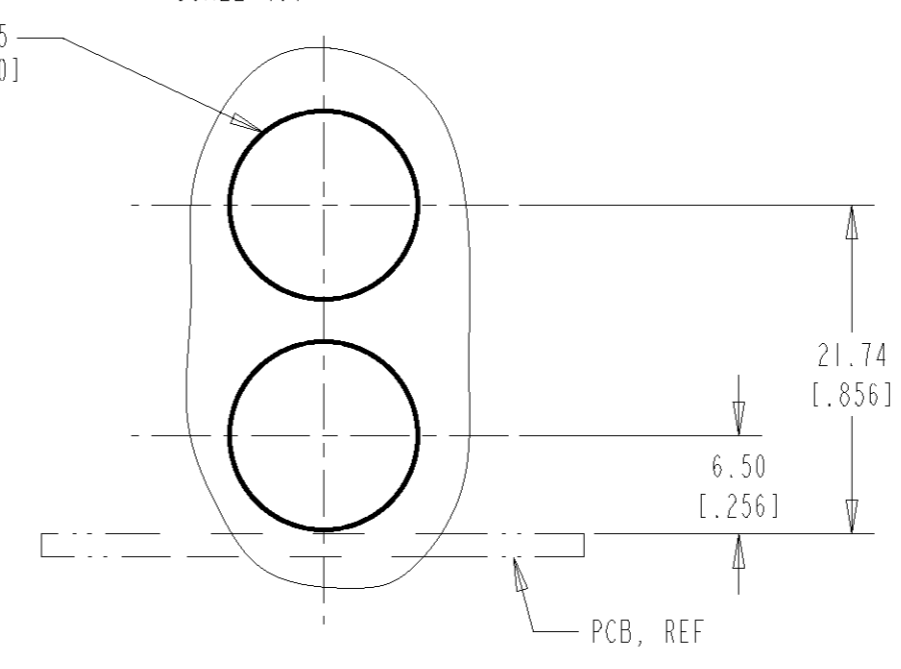
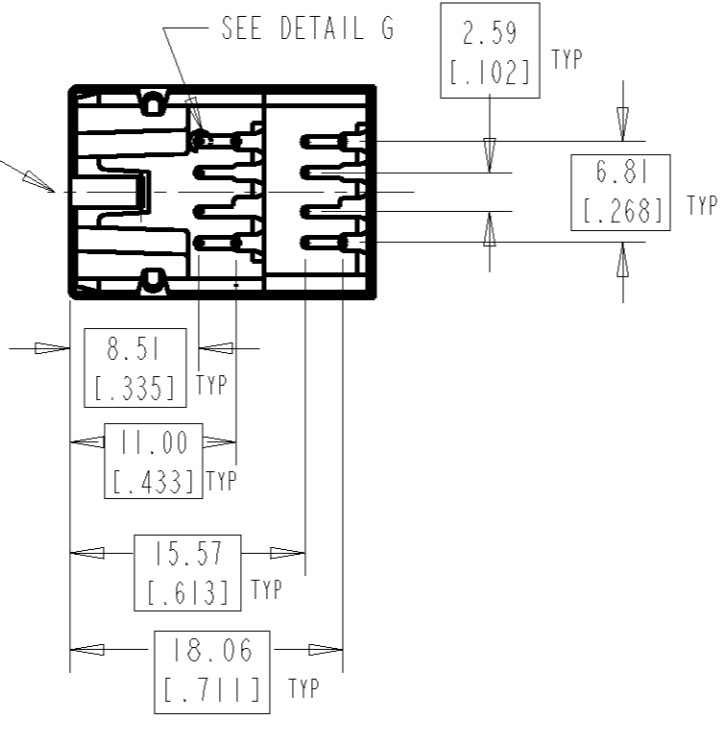
DETAIL E
SCALE 4:1



DETAIL D
SCALE 5:1



RECOMMENDED PC BOARD LAYOUT
BOTTOM VIEW



RECOMMENDED PANEL CUTOUT

<small>THIS DRAWING IS A CONTROLLED DOCUMENT FOR AMP INCORPORATED. IT IS SUBJECT TO CHANGE AND THE CONTROLLING ENGINEERING ORGANIZATION SHOULD BE CONTACTED FOR THE LATEST REVISION.</small>		DWN WYLEE	30SEP2004	tyco Tyco Electronics Singapore Pte. Ltd.	
DIMENSIONS: mm [INCHES]		CHK SE LEONG	APVD SE LEONG	NAME RECEPTACLE ASSEMBLY, FIFTH BOARD MOUNT 6 POSN OVER 6 POSN, RIGHT ANGLE, STACKABLE, MINIATURE CIRCULAR DIN	
TOLERANCES UNLESS OTHERWISE SPECIFIED: 0 PLC ±0.2 1 PLC ±0.25 2 PLC ±0.30 3 PLC ±0.30 4 PLC ±0.30 ANGLES ±3° FINISH		PRODUCT SPEC -	APPLICATION SPEC -	SIZE A2	CAGE CODE 00779
MATERIAL 1 2 3 4		WEIGHT -	CUSTOMER DRAWING	DRAWING NO 5084376	SCALE 2:1
				SHEET 1	REV 0